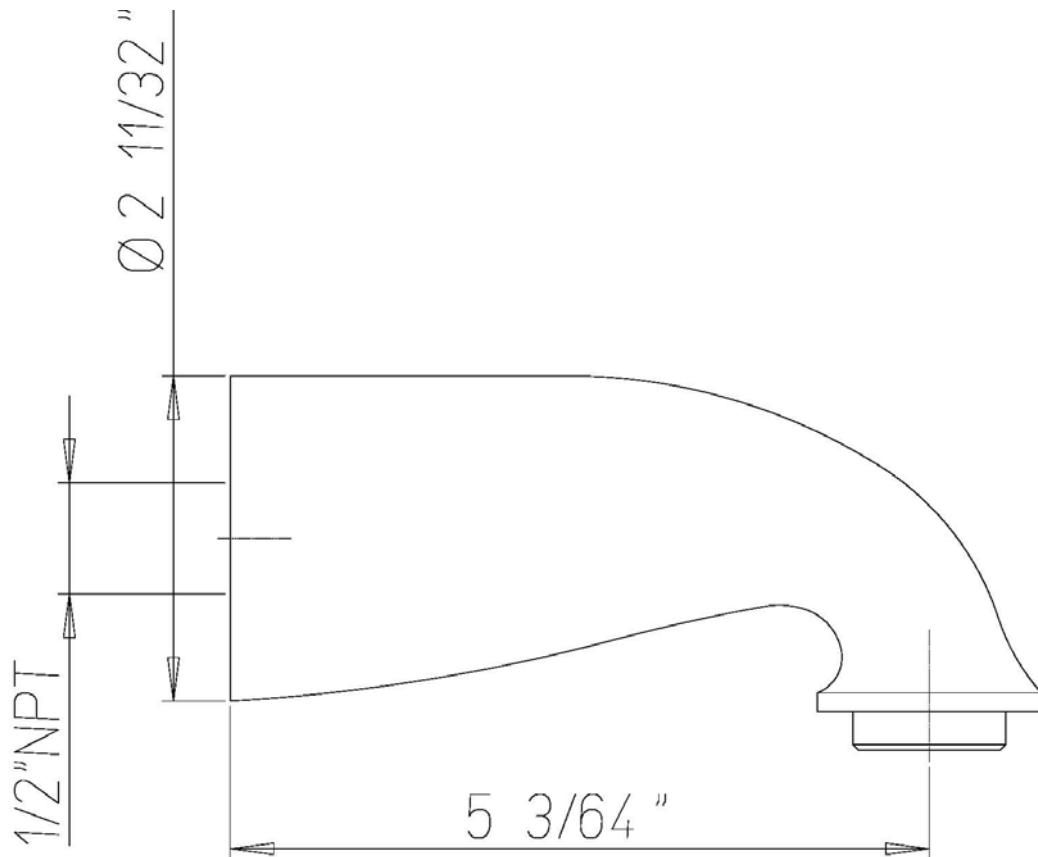


INSTALLATION DIMENSIONS

Serie Caffè

8843000

Tub Spout



Serie Caffè

8843000

Tub Spout

STANDARDS

- Compliant with ASME A112.18.1-B125.1 requirements
- Certified By CSA international

Finishes	8843000PC	8843000BN	8843000TB
Polished Chrome	X		
Brushed Nickel		X	
Tuscan Bronze			X

Features	8843000PC	8843000BN	8843000TB
Solid Brass Construction	X	X	X
½" NPT inlet connector	X	X	X
Non-Diverting, Polished Tub Spout	X	X	X
Step by Step Installation Instructions	X	X	X
Limited Lifetime Warranty	X	X	X

Project: _____

Contractor: _____

