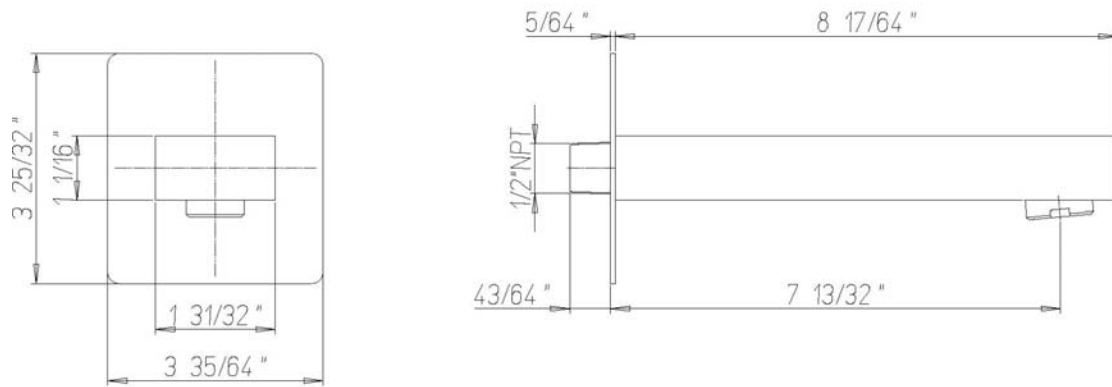


INSTALLATION DIMENSIONS

Serie Scala

8443000

Tub Spout



Serie Scala

8443000

Tub Spout

STANDARDS

- Compliant with ASME A112.18.1-B125.1 requirements
- Certified By CSA international

Finishes	8443000PC	8443000BN
Polished Chrome	X	
Brushed Nickel		X

Features	8443000PC	8443000BN
Solid Brass Construction	X	X
½" NPT inlet connector	X	X
Non-Diverting, Polished Tub Spout	X	X
Step by Step Installation Instructions	X	X
Limited Lifetime Warranty	X	X

Project: _____

Contractor: _____

