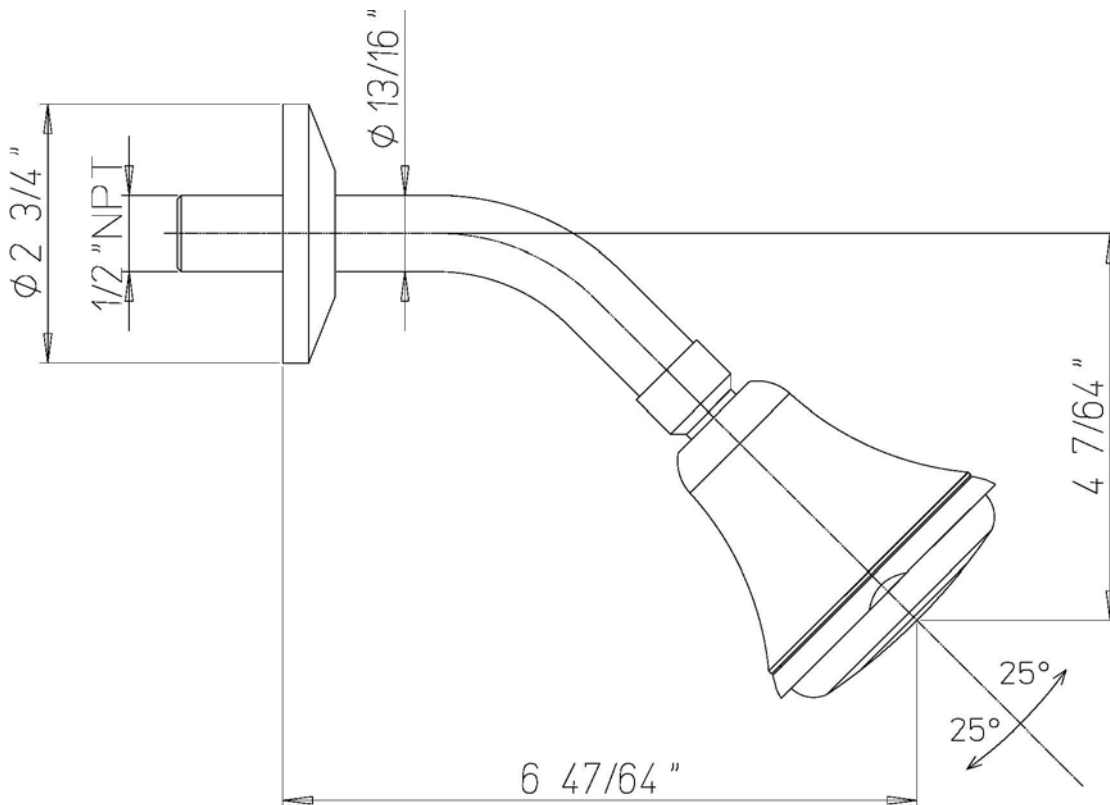


INSTALLATION DIMENSIONS

Serie Caffè

8875000

Showerhead Kit



Serie Caffè

8875000

Showerhead Kit

STANDARDS

- Compliant with ASME A112.18.1-B125.1 requirements
- Certified By CSA international

Finishes	8875000PC	8875000BN	8875000TB
Polished Chrome	X		
Brushed Nickel		X	
Tuscan Bronze			X

Features	8875000PC	8875000BN	8875000TB
Showerhead Kit with Matching 6" arm and flange	X	X	X
Delivers 2.5gpm at 80psi MAX	X	X	X
Showerhead features Rotating Ball Joint	X	X	X
1/2" NPT Inlets	X	X	X
Self Cleaning Spray Nozzles	X	X	X
Step-By-Step Installation Instructions	X	X	X
Limited Lifetime Warranty	X	X	X



Project: _____
 Contractor: _____