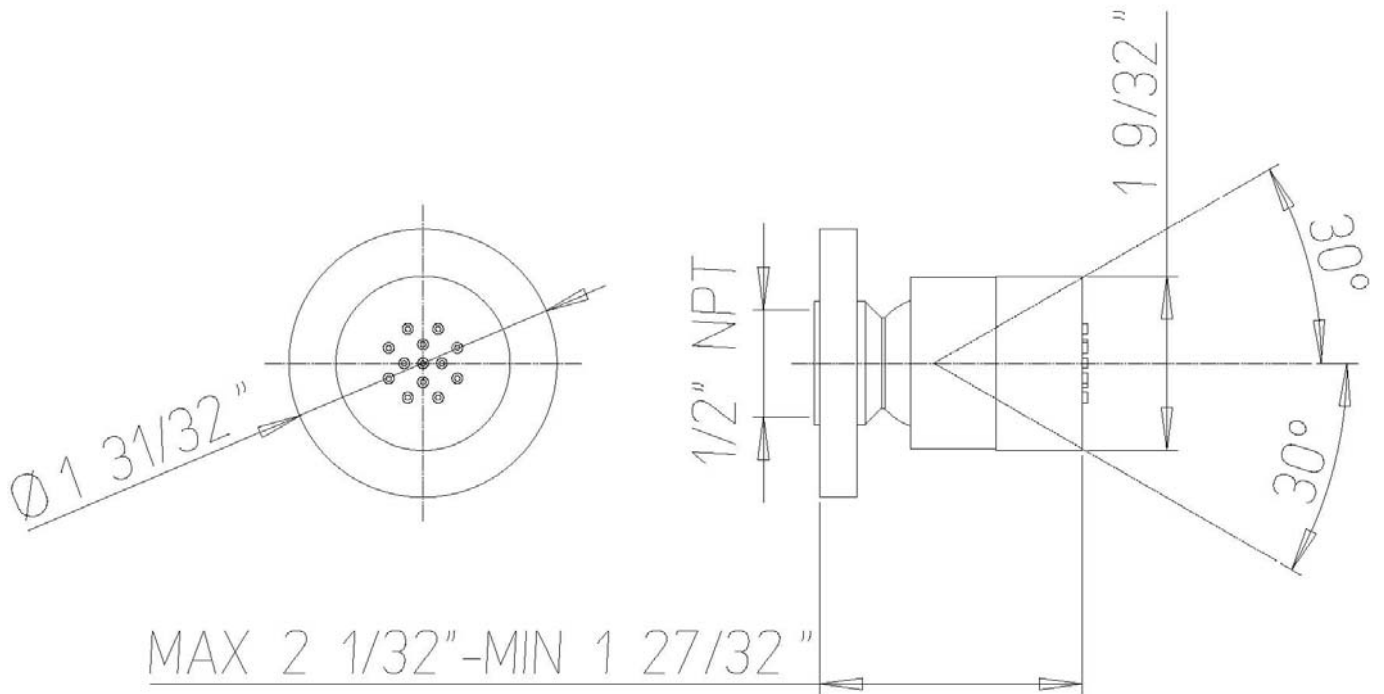


INSTALLATION DIMENSIONS

Serie Milano

7872100

Body Spray



Serie Milano

7872100

Body Spray

STANDARDS

- Compliant with ASME A112.18.1-B125.1
- Certified by CSA International

Finishes	7872100PC	7872100BN
Polished Chrome	X	
Brushed Nickel		X

Features	7872100PC	7872100BN
Invigorating Body Jet	X	X
Delivers 2.5gpm at 80psi MAX	X	X
Sprayer features 30° Rotation	X	X
1/2" NPT Inlets	X	X
Self Cleaning Spray Nozzles	X	X
Step-By-Step Installation Instructions	X	X
Limited Lifetime Warranty	X	X

Project: _____
 Contractor: _____

