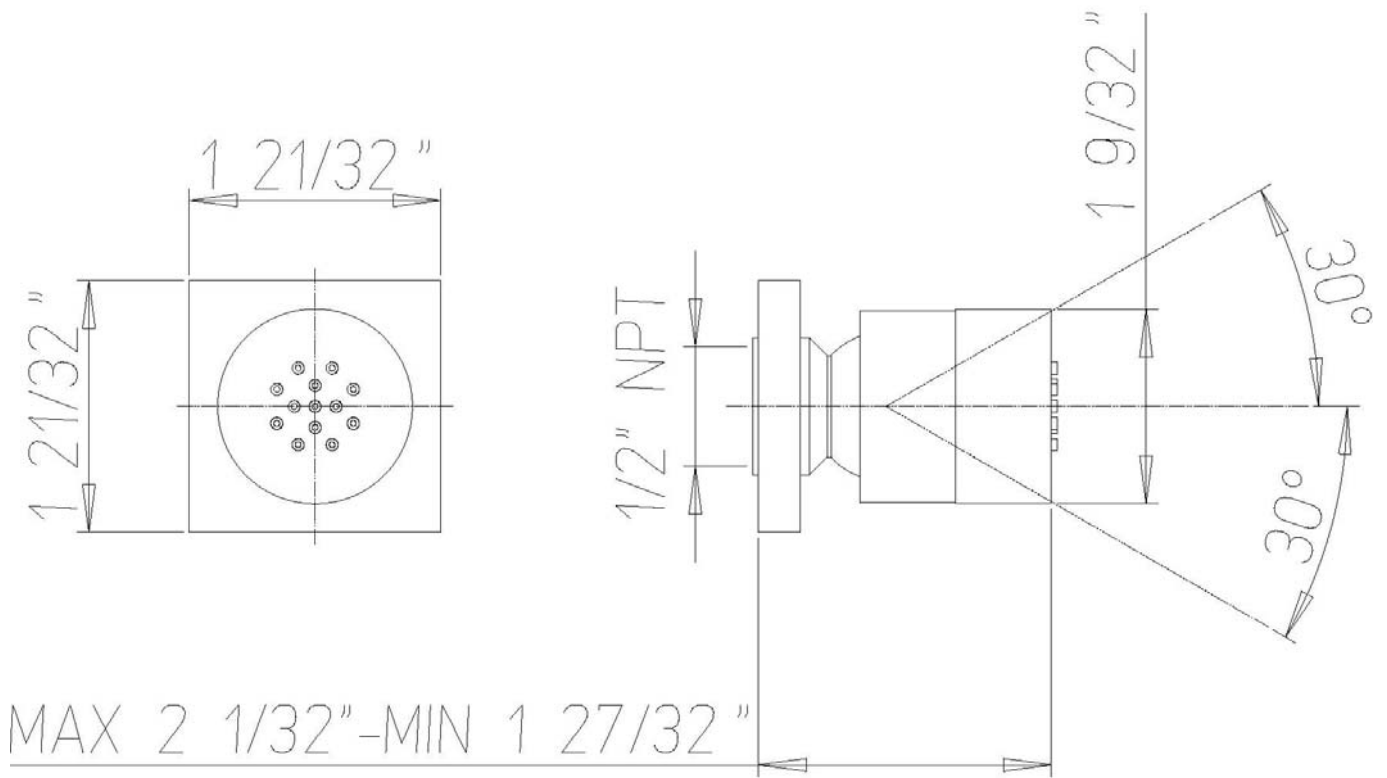


INSTALLATION DIMENSIONS

**Serie Scala**

8472100

Body Spray



## Serie Scala

8472100

Body Spray

### STANDARDS

- Compliant with ASME A112.18.1-B125.1 requirements
- Certified By CSA international

<b>Finishes</b>	8472100PC	8472100BN
Polished Chrome	X	
Brushed Nickel		X

<b>Features</b>	8472100PC	8472100BN
Invigorating Body Jet	X	X
Delivers 2.5gpm at 80psi MAX	X	X
Sprayer features 30° Rotation	X	X
1/2" NPT Inlets	X	X
Self Cleaning Spray Nozzles	X	X
Step-By-Step Installation Instructions	X	X
Limited Lifetime Warranty	X	X

Project: \_\_\_\_\_  
 Contractor: \_\_\_\_\_

