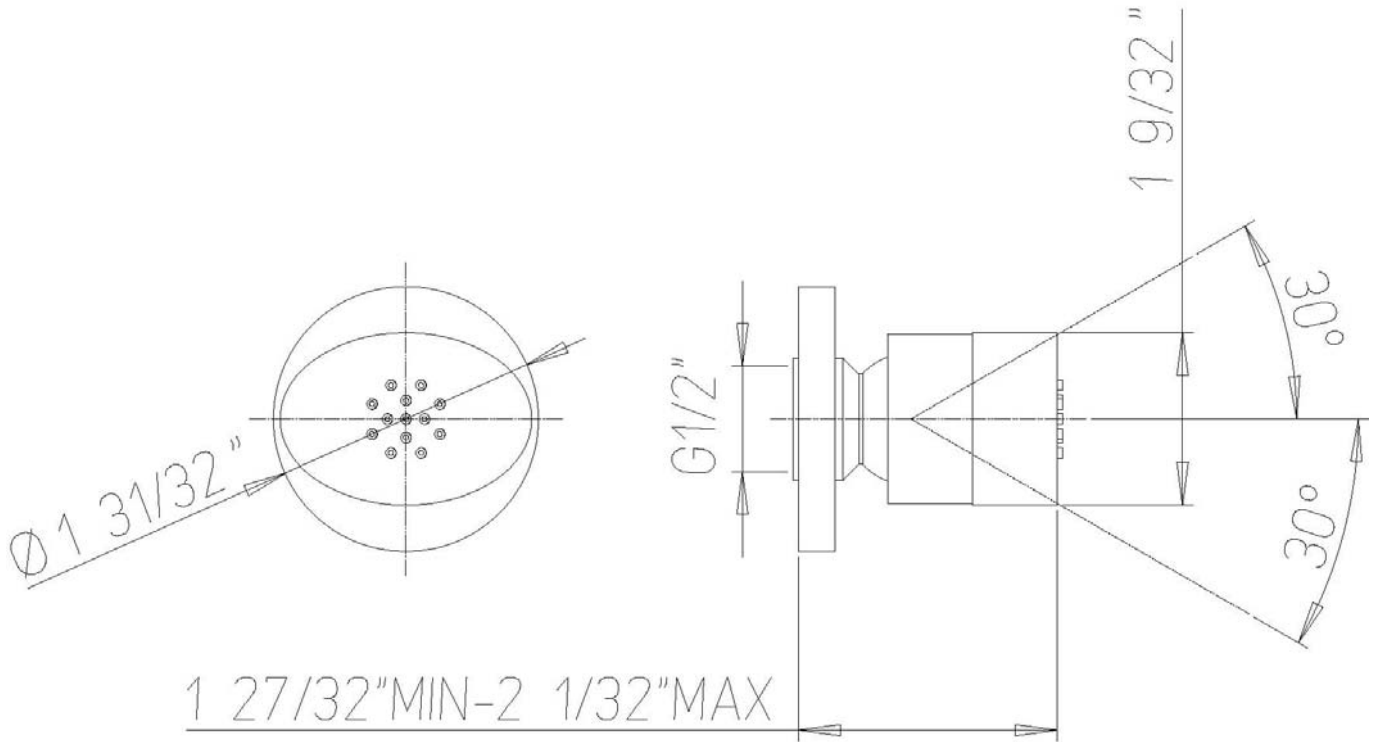


INSTALLATION DIMENSIONS

**Serie San Marco**

8972100

Body Spray



## Serie San Marco

8972100

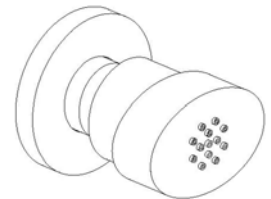
Body Spray

### STANDARDS

- Compliant with ASME A112.18.1-B125.1
- Certified by CSA International

<b>Finishes</b>	8972100PC	8972100BN	8972100TB
Polished Chrome	X		
Brushed Nickel		X	
Tuscan Bronze			X

<b>Features</b>	8972100PC	8972100BN	8972100TB
Invigorating Body Jet	X	X	X
Delivers 2.5gpm at 80psi MAX	X	X	X
Sprayer features 30° Rotation	X	X	X
1/2" NPT Inlets	X	X	X
Self Cleaning Spray Nozzles	X	X	X
Step-By-Step Installation Instructions	X	X	X
Limited Lifetime Warranty	X	X	X



Project: \_\_\_\_\_  
 Contractor: \_\_\_\_\_