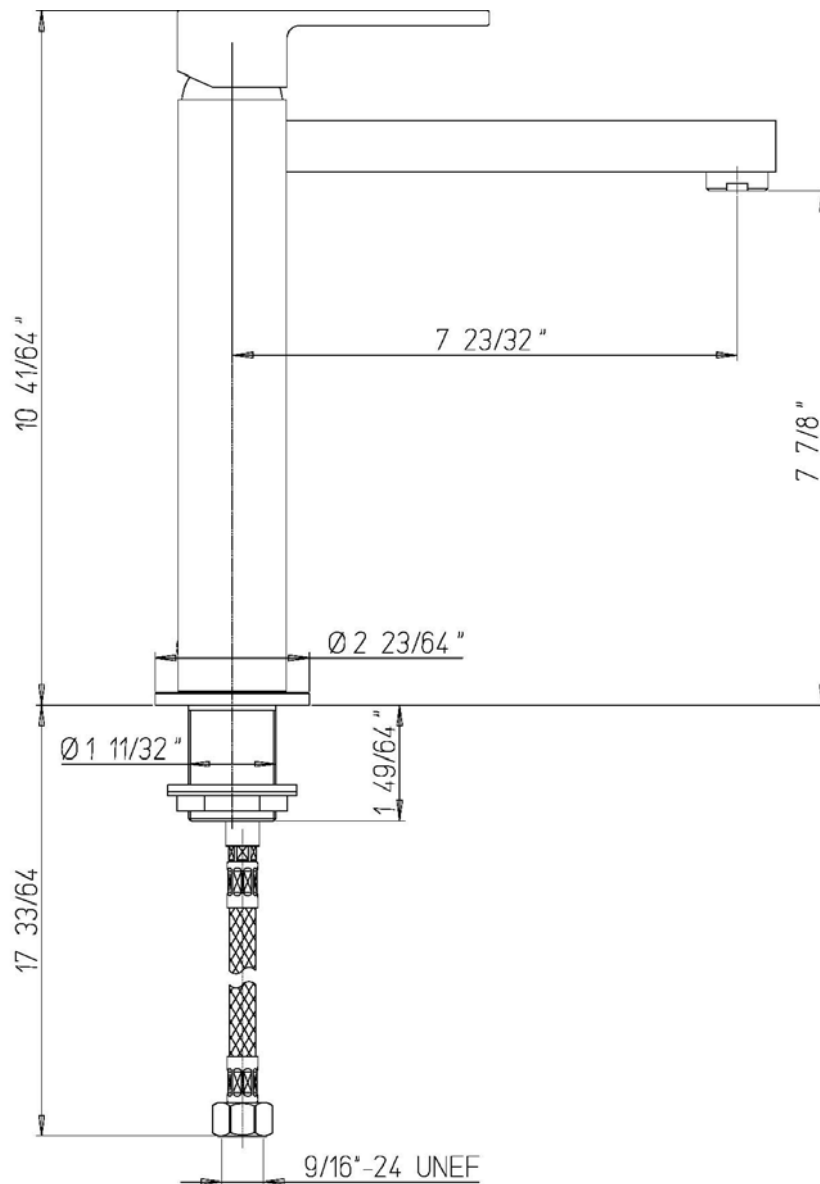


INSTALLATION DIMENSIONS

**Kitchen series**

8457900

Single control kitchen faucet



1-877-55-FORTIS (36784)

19701 Da Vinci  
Lake Forest, CA 92610

WWW.FORTISFAUCET.COM

**FORTIS.**  
FURO DESIGN ITALIANO

## Kitchen series

### 8457900

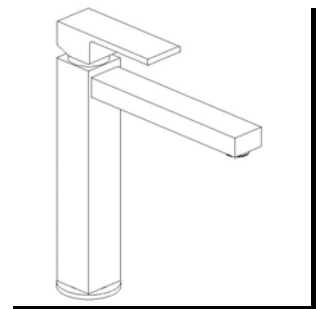
Single control kitchen faucet

### STANDARDS

- Compliant with ASME A112.18.1-B125.1
- Compliant with AB1953
- Compliant with ANSI NSF61 – Annex G
- Certified by CSA International
- Compliant with ANSI A117.1

<b>Finishes</b>	8457900PC	8457900BN
Polished Chrome	X	
Brushed Nickel		X

<b>Features</b>	8457900PC	8457900BN
Solid Brass Construction	X	X
Single Control Ceramic Disc Valve	X	X
Meets NSF 61/9 Annex G Lead Requirements	X	X
ADA Compliant	X	X
1 hole installation. Optional 3-hole deckplate	X	X
Step-By-Step Installation Instructions	X	X
Limited Lifetime Warranty	X	X



Project: \_\_\_\_\_  
 Contractor: \_\_\_\_\_