

Serie Uffizi
982110C
Single Ctrl Lavatory Faucet

STANDARDS

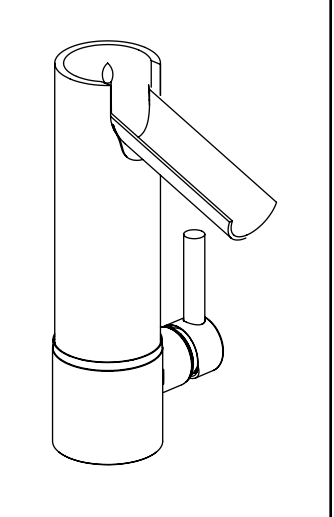
- Compliant with ASME A112.18.1-B125.1
- Compliant with AB1953
- Compliant with EPA Water Sense
- CEC listed
- Compliant with ANSI NSF61 – Annex G
- Certified by CSA International
- Compliant with ANSI A117.1

Finishes

| | |
|-----------------|----------------|
| | 982110C |
| Polished Chrome | X |
| Brushed Nickel | |

Features

| | |
|---|----------------|
| | 982110C |
| Solid Brass Construction | X |
| Single Control Ceramic Disc Valve | X |
| Meets NSF 61/9 Annex G Lead Requirements | X |
| Meets EPA Watersense Certification CEC 1.2gpm | X |
| ADA Compliant | X |
| With Popup | X |
| 1 hole installation.Â Optional 3-hole deckplate sold separately | X |
| Step-By-Step Installation Instructions | X |
| Limited Lifetime Warranty | X |



Project _____
 Contractor _____