

Hawthorne

Product Codes

HANA2421D

HANA3021D

HANA3621D

HANA4821D

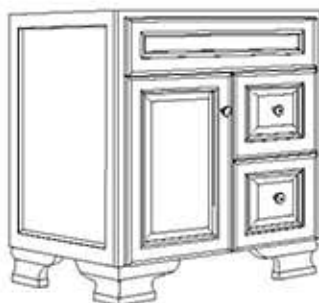
HANA6021D

Effective Date: 01-15-07

ASSEMBLED VANITY



HANA2421D



HANA3021D



HANA3621D



HANA4821D



HANA6021D

Toll Free Customer Assistance
1-800-443-1410 U.S. Customers

Monday-Friday, 9:00a.m. To 5:30p.m., EST

Linge sans frais de service à la clientèle
1-888-256-7551 Clients Canadiens

De lundi au vendredi, de 9 h à 17 h 30, HNE

1**KNOB / HANDLE INSTALLATION****Figure 1**

1. Place machine screws through predrilled hole in door or drawer. Line up knob or handle with machine screw and tighten with screw driver.
2. Repeat process for all additional doors and/or drawers.

**Figure 1**

Keeping Your Furniture Beautiful

Quality wood furniture is a significant investment expected to last for generations. To maintain its beauty and help it last, wood furniture needs the right care. Foremost Furniture products are finished with two to three coats of lacquer for extra depth and long-lasting durability. The sheen, or gloss, of the finish ranges from high to low, depending on the piece or collection. The finish protects the wood and adds to its beauty. No finish is totally indestructible. But with regular care, the finish will last much longer, providing years of enjoyment to you.

To protect and care for your furniture, we suggest the following:

- Avoid placing your Foremost furniture in direct sunlight, as sunlight causes fading.
- Clean up spills immediately. Use a blotting rather than a wiping action. Water left over a long period of time will cause white spots in the finish. Alcohol, perfume, after-shave and medications can cause severe finish damage.

Cleaning and polishing your furniture:

We recommend dusting frequently with a clean, soft, dry, lint-free cloth. Clean the surface by rubbing in the direction of the grain. We recommend polishing your furniture approximately every six months, using a clean, soft, lint-free cloth and rubbing the polish in the direction of the grain.

What furniture care products do we recommend?

We recommend polishes which contain detergents, emulsifiers and mineral oil. The detergents clean dirt from the furniture, the emulsifiers give it body to clean and last longer and the mineral oil is left behind as a barrier for dirt and moisture that could harm finishes. There's no grit to harm the finish, no wax to build up and no silicone to raise the sheen and act as a barrier for touch-up and refinishing.

Thank you for purchasing this Foremost furniture product. Your new assembled furniture is constructed using only the finest materials and captures the essence of timeless beauty and style.

At Foremost, each piece of quality cabinetry is designed with the customer in mind. Every aspect of what we do revolves around the customers, needs.

Should you have any questions about your furniture, we would like to address the concern quickly. Our trained staff is ready to help you with quick, efficient service. Please call our toll free Customer Service number.

Toll Free Customer Assistance

1-800-443-1410

U.S. Customers

Monday-Friday, 9:00a.m. To 5:30p.m., EST

**Linge sans frais
de service à la clientèle**

1-888-256-7551

Clients Canadiens

De lundi au vendredi, de 9 h à 17 h 30, HNE

Warranty Information

Each cabinet manufactured by Foremost Groups, Inc. is covered by a 5 Year / Limited Lifetime Warranty. We warrant our cabinets to be free from defects in material or workmanship for a period of 5 years from the date of delivery.

Additionally we offer a limited lifetime warranty on our drawer suspension systems. These warranties are made to the original purchaser and are limited to the repair or exchange of any parts which prove defective under normal use during the warranty period.

These warranties do not apply where cabinets have been improperly stored or improperly installed, misused, abused, or modified in any way. They do not cover the costs of removing warranted material or the installation of replacement material.

These warranties are the sole warranties of Foremost Groups, Inc. and in lieu of all other warranties, express implied, including any implied warranties of merchantability and fitness for a particular use. Labor charges for removal of or installation of warranted material as well as incidental or consequential damages are excluded. We do not assume for us any other liability in connection with the sale of our product.

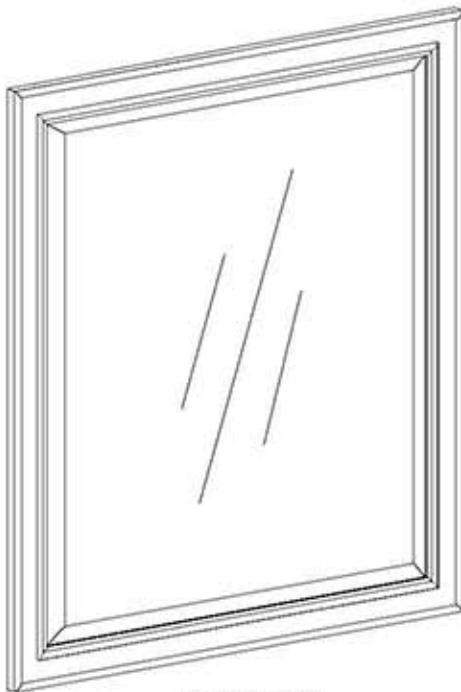
Hawthorne

Product Codes

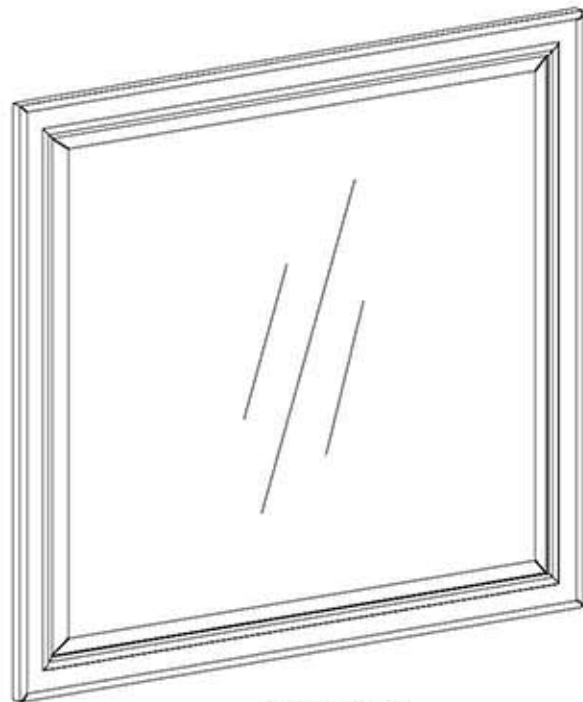
HANM2432
HANM2832

Effective Date: 01-15-07

WALL MIRROR



HANM2432



HANM2832

Toll Free Customer Assistance
1-800-443-1410 U.S. Customers

Monday-Friday, 9:00a.m. To 5:30p.m., EST

Linge sans frais de service à la clientèle
1-888-256-7551 Clients Canadiens

De lundi au vendredi, de 9 h à 17 h 30, HNE

Please read instructions before assembly process

1 MOUNTING MIRROR TO WALL

1. Get a helper to hold the mirror against the wall where it will be hung. Mark the bottom and top of the mirror on the wall in desired position. Use a level to adjust for plumb and mark the line at the point where the top line intersects with the plumb line.

2. Using a ruler, measure and mark the position of the mounting brackets on the wall. The mounting brackets are located on the back of the mirror. (See Fig. 1 to right).

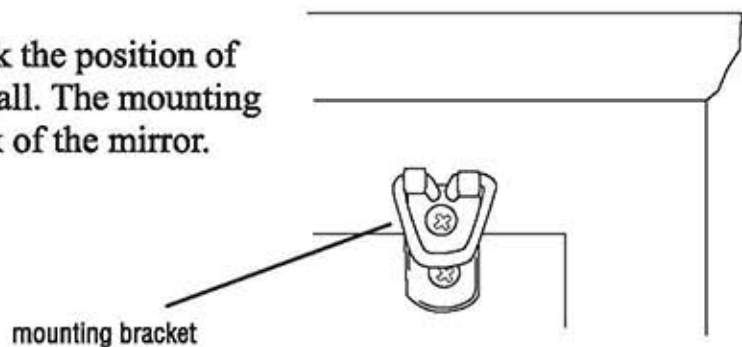


FIGURE 1

3. Try to find at least one stud within the marked area. If stud is not available use toggle fastener to secure the mirror to the wall (Fasteners not included). Install mounting screw in wall in the proper position leaving about 1/8" from wall.
4. Align the mirror's mounting brackets with newly installed screws and hang mirror accordingly.

Keeping Your Furniture Beautiful

Quality wood furniture is a significant investment expected to last for generations. To maintain its beauty and help it last, wood furniture needs the right care. Foremost Furniture products are finished with two to three coats of lacquer for extra depth and long-lasting durability. The sheen, or gloss, of the finish ranges from high to low, depending on the piece or collection. The finish protects the wood and adds to its beauty. No finish is totally indestructible. But with regular care, the finish will last much longer, providing years of enjoyment to you.

To protect and care for your furniture, we suggest the following:

- Avoid placing your Foremost furniture in direct sunlight, as sunlight causes fading.
- Clean up spills immediately. Use a blotting rather than a wiping action. Water left over a long period of time will cause white spots in the finish. Alcohol, perfume, after-shave and medications can cause severe finish damage.

Cleaning and polishing your furniture:

We recommend dusting frequently with a clean, soft, dry, lint-free cloth. Clean the surface by rubbing in the direction of the grain. We recommend polishing your furniture approximately every six months, using a clean, soft, lint-free cloth and rubbing the polish in the direction of the grain.

What furniture care products do we recommend?

We recommend polishes which contain detergents, emulsifiers and mineral oil. The detergents clean dirt from the furniture, the emulsifiers give it body to clean and last longer and the mineral oil is left behind as a barrier for dirt and moisture that could harm finishes. There's no grit to harm the finish, no wax to build up and no silicone to raise the sheen and act as a barrier for touch-up and refinishing.

Thank you for purchasing this Foremost furniture product. Your new assembled furniture is constructed using only the finest materials and captures the essence of timeless beauty and style.

At Foremost, each piece of quality cabinetry is designed with the customer in mind. Every aspect of what we do revolves around the customers, needs.

Should you have any questions about your furniture, we would like to address the concern quickly. Our trained staff is ready to help you with quick, efficient service. Please call our toll free Customer Service number.

Toll Free Customer Assistance
1-800-443-1410 U.S. Customers
Monday-Friday, 9:00a.m. To 5:30p.m., EST

Ligne sans frais de service à la clientèle
1-888-256-7551 Clients Canadiens
De lundi au vendredi, de 9 h à 17 h 30, HNE

Warranty Information

Each cabinet manufactured by Foremost Groups, Inc. is covered by a 5 Year / Limited Lifetime Warranty. We warrant our cabinets to be free from defects in material or workmanship for a period of 5 years from the date of delivery.

Additionally we offer a limited lifetime warranty on our drawer suspension systems. These warranties are made to the original purchaser and are limited to the repair or exchange of any parts which prove defective under normal use during the warranty period.

These warranties do not apply where cabinets have been improperly stored or improperly installed, misused, abused, or modified in any way. They do not cover the costs of removing warranted material or the installation of replacement material.

These warranties are the sole warranties of Foremost Groups, Inc. and in lieu of all other warranties, express implied, including any implied warranties of merchantability and fitness for a particular use. Labor charges for removal of or installation of warranted material as well as incidental or consequential damages are excluded. We do not assume for us any other liability in connection with the sale of our product.

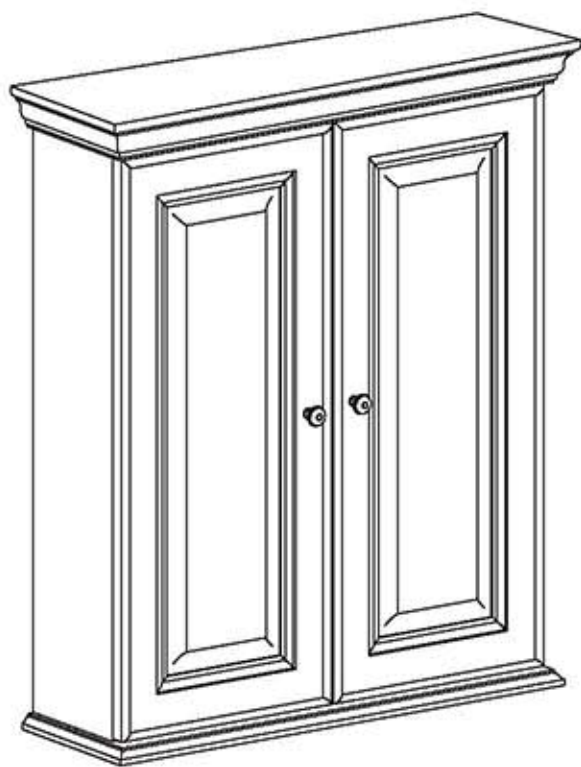
Hawthorne

Product Codes

HANW2428

Effective Date: 01-15-07

WALL CABINET



Toll Free Customer Assistance
1-800-443-1410 U.S. Customers

Monday-Friday, 9:00a.m. To 5:30p.m., EST

Linge sans frais de service à la clientèle
1-888-256-7551 Clients Canadiens

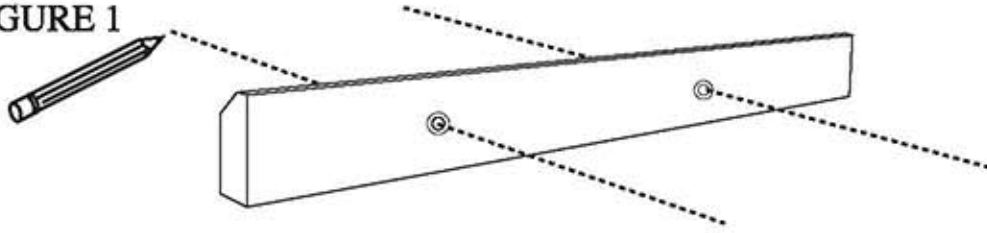
De lundi au vendredi, de 9 h à 17 h 30, HNE

Please read instructions before assembly process.

1 MOUNTING UNIT TO WALL

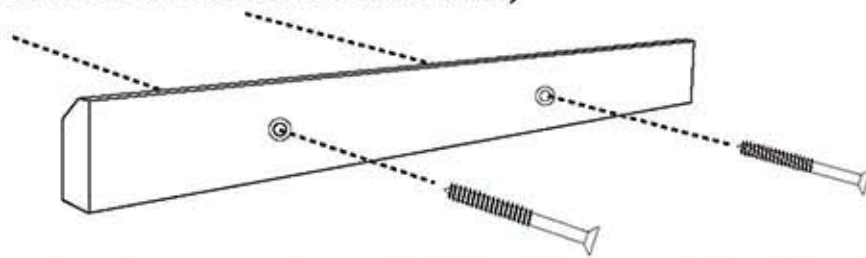
1. Locate two studs in the wall where you want to mount the cabinet. Mark the area and measure the distance between them.
2. Using the Wood Hanging Rail (fig 1) mark where you need the screws in order to line them up with the studs. The Wood Hanging Rail should be fastened to the wall approximately 3" down from the desired height of the cabinet.

FIGURE 1



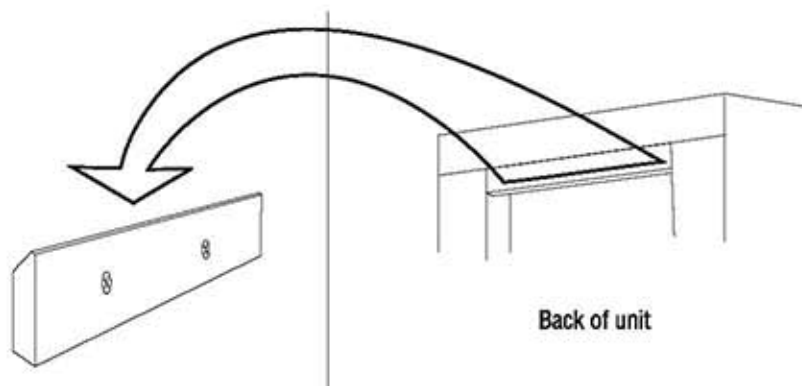
3. Making sure that the Wood Hanging Rail is level, fasten it to the wall as shown (fig 2) into the studs using wood screws. Try to find at least one stud within the marked area. If stud is not available use toggle fastener to secure the cabinet to the wall. (Wood screws and fasteners not included)

FIGURE 2



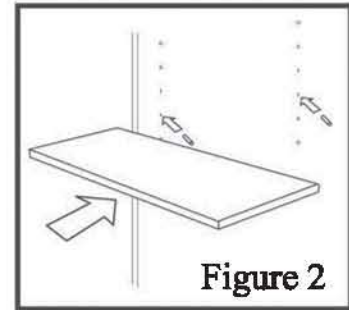
4. Cabinet is now ready to be mounted to wall. Lift cabinet onto Wood Hanging Rail. (fig 3)

FIGURE 3



2**SHELF INSTALLATION****Figure 2**

1. Place shelf clips into predrilled holes located inside the vanity on the right and left side walls. Once shelf clips are installed rest wood shelf onto clips.

**Keeping Your Furniture Beautiful**

Quality wood furniture is a significant investment expected to last for generations. To maintain its beauty and help it last, wood furniture needs the right care. Foremost Furniture products are finished with two to three coats of lacquer for extra depth and long-lasting durability. The sheen, or gloss, of the finish ranges from high to low, depending on the piece or collection. The finish protects the wood and adds to its beauty. No finish is totally indestructible. But with regular care, the finish will last much longer, providing years of enjoyment to you.

To protect and care for your furniture, we suggest the following:

- Avoid placing your Foremost furniture in direct sunlight, as sunlight causes fading.
- Clean up spills immediately. Use a blotting rather than a wiping action. Water left over a long period of time will cause white spots in the finish. Alcohol, perfume, after-shave and medications can cause severe finish damage.

Cleaning and polishing your furniture:

We recommend dusting frequently with a clean, soft, dry, lint-free cloth. Clean the surface by rubbing in the direction of the grain. We recommend polishing your furniture approximately every six months, using a clean, soft, lint-free cloth and rubbing the polish in the direction of the grain.

What furniture care products do we recommend?

We recommend polishes which contain detergents, emulsifiers and mineral oil. The detergents clean dirt from the furniture, the emulsifiers give it body to clean and last longer and the mineral oil is left behind as a barrier for dirt and moisture that could harm finishes. There's no grit to harm the finish, no wax to build up and no silicone to raise the sheen and act as a barrier for touch-up and refinishing.

Thank you for purchasing this Foremost furniture product. Your new assembled furniture is constructed using only the finest materials and captures the essence of timeless beauty and style.

At Foremost, each piece of quality cabinetry is designed with the customer in mind. Every aspect of what we do revolves around the customers, needs.

Should you have any questions about your furniture, we would like to address the concern quickly. Our trained staff is ready to help you with quick, efficient service. Please call our toll free Customer Service number.

Toll Free Customer Assistance**1-800-443-1410****U.S. Customers**

Monday-Friday, 9:00a.m. To 5:30p.m., EST

**Linge sans frais
de service à la clientèle****1-888-256-7551****Clients Canadiens**

De lundi au vendredi, de 9 h à 17 h 30, HNE

Warranty Information

Each cabinet manufactured by Foremost Groups, Inc. is covered by a 5 Year / Limited Lifetime Warranty. We warrant our cabinets to be free from defects in material or workmanship for a period of 5 years from the date of delivery.

Additionally we offer a limited lifetime warranty on our drawer suspension systems. These warranties are made to the original purchaser and are limited to the repair or exchange of any parts which prove defective under normal use during the warranty period.

These warranties do not apply where cabinets have been improperly stored or improperly installed, misused, abused, or modified in any way. They do not cover the costs of removing warranted material or the installation of replacement material.

These warranties are the sole warranties of Foremost Groups, Inc. and in lieu of all other warranties, express implied, including any implied warranties of merchantability and fitness for a particular use. Labor charges for removal of or installation of warranted material as well as incidental or consequential damages are excluded. We do not assume for us any other liability in connection with the sale of our product.

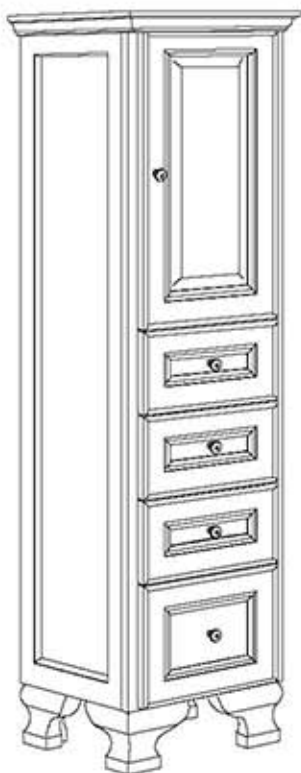
Hawthorne

Product Codes

HANT1556

Effective Date: 01-15-07

TALL CABINET



Toll Free Customer Assistance
1-800-443-1410 U.S. Customers

Monday-Friday, 9:00a.m. To 5:30p.m., EST

Linge sans frais de service à la clientèle
1-888-256-7551 Clients Canadiens

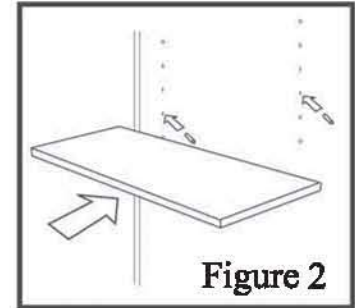
De lundi au vendredi, de 9 h à 17 h 30, HNE

1**KNOB / HANDLE INSTALLATION****Figure 1**

1. Place machine screws through predrilled hole in door or drawer. Line up knob or handle with machine screw and tighten with screw driver.
2. Repeat process for all additional doors and/or drawers.

**Figure 1****2****SHELF INSTALLATION****Figure 2**

1. Place shelf clips into predrilled holes located inside the vanity on the right and left side walls. Once shelf clips are installed rest wood shelf onto clips.

**Figure 2****Keeping Your Furniture Beautiful**

Quality wood furniture is a significant investment expected to last for generations. To maintain its beauty and help it last, wood furniture needs the right care. Foremost Furniture products are finished with two to three coats of lacquer for extra depth and long-lasting durability. The sheen, or gloss, of the finish ranges from high to low, depending on the piece or collection. The finish protects the wood and adds to its beauty. No finish is totally indestructible. But with regular care, the finish will last much longer, providing years of enjoyment to you.

To protect and care for your furniture, we suggest the following:

- Avoid placing your Foremost furniture in direct sunlight, as sunlight causes fading.
- Clean up spills immediately. Use a blotting rather than a wiping action. Water left over a long period of time will cause white spots in the finish. Alcohol, perfume, after-shave and medications can cause severe finish damage.

Cleaning and polishing your furniture:

We recommend dusting frequently with a clean, soft, dry, lint-free cloth. Clean the surface by rubbing in the direction of the grain. We recommend polishing your furniture approximately every six months, using a clean, soft, lint-free cloth and rubbing the polish in the direction of the grain.

What furniture care products do we recommend?

We recommend polishes which contain detergents, emulsifiers and mineral oil. The detergents clean dirt from the furniture, the emulsifiers give it body to clean and last longer and the mineral oil is left behind as a barrier for dirt and moisture that could harm finishes. There's no grit to harm the finish, no wax to build up and no silicone to raise the sheen and act as a barrier for touch-up and refinishing.

Thank you for purchasing this Foremost furniture product. Your new assembled furniture is constructed using only the finest materials and captures the essence of timeless beauty and style.

At Foremost, each piece of quality cabinetry is designed with the customer in mind. Every aspect of what we do revolves around the customers, needs.

Should you have any questions about your furniture, we would like to address the concern quickly. Our trained staff is ready to help you with quick, efficient service. Please call our toll free Customer Service number.

Toll Free Customer Assistance**1-800-443-1410****U.S. Customers**

Monday-Friday, 9:00a.m. To 5:30p.m., EST

**Linge sans frais
de service à la clientèle****1-888-256-7551****Clients Canadiens**

De lundi au vendredi, de 9 h à 17 h 30, HNE

Warranty Information

Each cabinet manufactured by Foremost Groups, Inc. is covered by a 5 Year / Limited Lifetime Warranty. We warrant our cabinets to be free from defects in material or workmanship for a period of 5 years from the date of delivery.

Additionally we offer a limited lifetime warranty on our drawer suspension systems. These warranties are made to the original purchaser and are limited to the repair or exchange of any parts which prove defective under normal use during the warranty period.

These warranties do not apply where cabinets have been improperly stored or improperly installed, misused, abused, or modified in any way. They do not cover the costs of removing warranted material or the installation of replacement material.

These warranties are the sole warranties of Foremost Groups, Inc. and in lieu of all other warranties, express implied, including any implied warranties of merchantability and fitness for a particular use. Labor charges for removal of or installation of warranted material as well as incidental or consequential damages are excluded. We do not assume for us any other liability in connection with the sale of our product.

Hawthorne

Código de los productos

HANA2421D

HANA3021D

HANA3621D

HANA4821D

HANA6021D

Vigentes a partir del 15-01-07

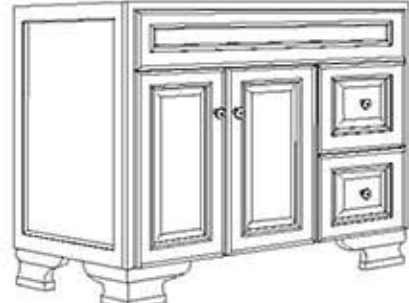
TOCADOR ENSAMBLADO



HANA2421D



HANA3021D



HANA3621D



HANA4821D



HANA6021D

Línea gratuita de ayuda al cliente:

1-800-443-1410 U.S. Cutomers

De lunes a viernes, de las 9.00 a las 17.30 horas, hora estándar del Este

Linge sans frais de service à la clientèle

1-888-256-7551 Clients Canadiens

De lundi au vendredi, de 9 h à 17 h 30, HNE

1

INSTALACIÓN DE LA PERILLA / MANIJA

Ilustración 1

1. Colocar el tornillo por el orificio previamente taladrado en la puerta o en la gaveta. Alinear la perilla o la manija con el tornillo y apretarla con el destornillador.
2. Repetir el proceso en la segunda puerta.



Ilustración 1

INSTALACIÓN DE LA PERILLA**Cómo conservar la belleza de sus muebles**

Los muebles finos de madera pueden ser una inversión considerable, que se espera que sirvan por generaciones. Para conservar su belleza y ayudar a que los muebles de madera duren mucho tiempo, es necesario darles el cuidado adecuado. Los productos Foremost Furniture son acabados con dos o tres capas de laca para lograr una mejor profundidad y durabilidad. El brillo, o lustre, del acabado varía desde alto hasta bajo, lo que depende del mueble o de la colección. El acabado protege la madera y realza su belleza. Ningún acabado es completamente indestructible... pero cuidándolo regularmente, puede durar un tiempo mucho mayor, y ofrecerle muchos años de satisfacción.

Para proteger y conservar sus muebles, le ofrecemos las siguientes sugerencias:

- Evite colocar sus muebles Foremost Furniture bajo la luz solar directa, ya que ésta provoca su descoloración.
- Limpie inmediatamente los derrames. Séquelos absorbiendo con un paño, en lugar de frotar. El agua que se queda por mucho tiempo deja manchas blanquecinas en el acabado. El alcohol, los perfumes, las lociones para después de afeitar y los medicamentos pueden causar mucho daño al acabado.

Cómo limpiar y lustrar sus muebles:

Recomendamos limpiar el polvo con frecuencia con un paño limpio, seco, suave y sin pelusas. Limpie la superficie frotando en la dirección de la veta de la madera. Recomendamos lustrar sus muebles cada seis meses aproximadamente, con paño limpio, seco, suave y sin pelusas, frotándolos en la dirección de la veta de la madera.

¿Qué productos para la conservación de muebles recomendamos?

Recomendamos productos para lustrar muebles que contengan detergentes, emulsificantes y aceite mineral. Los detergentes limpian la suciedad de los muebles, los emulsificantes le dan cuerpo para que limpie y dure un mayor tiempo, y el aceite mineral deja una capa de protección contra la suciedad y la humedad que pudieran dañar el acabado. No contienen partículas abrasivas que dañen el acabado, cera que se acumule ni silicona que aumente el brillo, y actúan como una barrera para los retoques y la restauración del acabado.

Gracias por comprar este mueble Foremost Furniture. Su nuevo mueble armado ha sido fabricado usando únicamente los materiales más finos y capta la esencia de la belleza y del estilo de elegancia eterna.

En Foremost Furniture, cada mueble de calidad se hace pensando en el cliente. Cada aspecto de lo que hacemos gira en torno a las necesidades del cliente.

Si tiene alguna pregunta acerca de su mueble, nos gustaría atenderla con prontitud. Nuestro personal capacitado está listo para ayudarlo y ofrecerle un servicio rápido y eficiente. Sírvase llamar al teléfono de llamada gratuita del Servicio de atención al cliente.

**Línea gratuita
de ayuda al cliente:
1-800-443-1410
U.S. Cutomers**

**Linge sans frais de service
à la clientéle
1-888-256-7551
Clients Canadiens**

De lunes a viernes, de las 9.00 a las 17.30 horas, hora estándar del Este

De lundi au vendredi, de 9 h à 17 h 30, HNE

Información de garantía

Cada mueble fabricado por Foremost Groups, Inc., está cubierto por una garantía de 5 años / limitada para toda la vida. Garantizamos, por un período de 5 años contado a partir de la fecha de entrega, que nuestros muebles no tienen defectos de materiales ni de mano de obra.

Además, ofrecemos una garantía limitada para toda la vida sobre los sistemas de suspensión de los cajones. Estas garantías se otorgan al comprador original y quedan limitadas a la reparación o al cambio de cualquier pieza que se demuestre que se encuentra defectuosa en condiciones normales de uso, durante el período de la vigencia de la misma.

Estas garantías no amparan los casos de muebles incorrectamente guardados o armados, ni el maltrato, abuso o las alteraciones de cualquier tipo. Las garantías no cubren los costos de remoción de piezas amparadas ni la instalación de piezas cambiadas.

Estas son las únicas garantías que otorga Foremost Groups, Inc., y se otorgan en lugar de toda otra garantía, sea expresa o implícita, incluyendo las garantías implícitas sobre la idoneidad del producto para su comercialización o para un uso determinado. Quedan excluidos los gastos de mano de obra de remoción o de instalación de las piezas amparadas, así como los daños y perjuicios accesorios o indirectos. No asumimos ninguna otra responsabilidad en relación con la venta de este producto.

Hawthorne

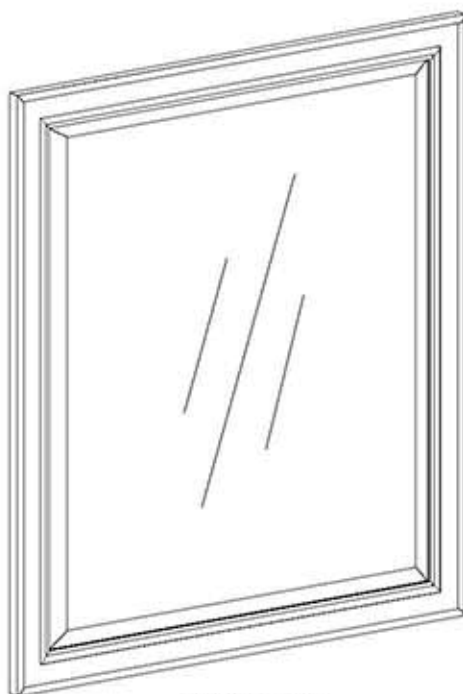
Código de los productos

HANM2432

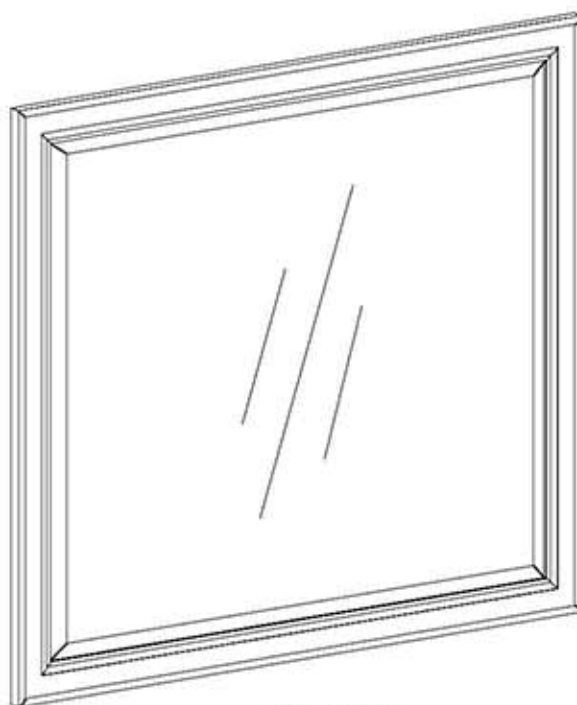
HANM2832

Vigentes a partir del 15-01-07

ESPEJO DE LA PARED



HANM2432



HANM2832

Línea gratuita de ayuda al cliente:

1-800-443-1410 U.S. Cutomers

De lunes a viernes, de las 9.00 a las 17.30 horas, hora estándar del Este

Ligne sans frais de service à la clientèle

1-888-256-7551 Clients Canadiens

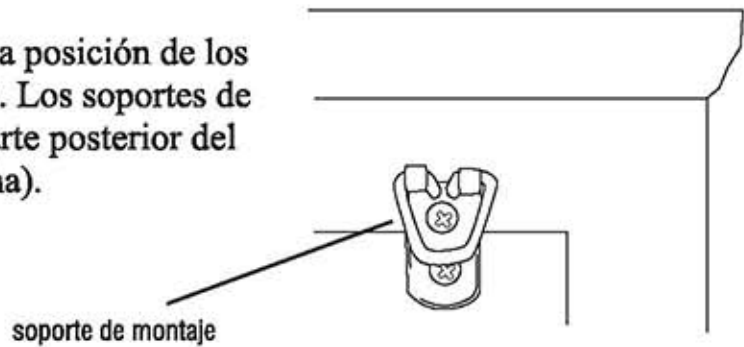
De lundi au vendredi, de 9 h à 17 h 30, HNE

Lea las instrucciones antes de armar el mueble

1 INSTALACIÓN DEL ESPEJO EN LA PARED

1. Pida a una persona que le ayude a sostener el espejo contra la pared en el lugar donde va a instalarlo. Marque en la pared la parte inferior y la parte superior del espejo en la posición en que desea instalarlo. Use un nivel para ajustar la vertical y marque el punto donde la línea superior se corta con la vertical.

2. Con una regla, mida y marque la posición de los soportes de montaje en la pared. Los soportes de montaje están ubicados en la parte posterior del espejo. (Vea la fig. 1 a la derecha).



3. Trate de ubicar al menos un larguero dentro del área marcada. Si no dispone de ningún larguero, use un ancla articulada para fijar el espejo en la pared (las anclas no vienen con el mueble). Instale en la pared el tornillo de montaje en la posición adecuada, dejando una distancia aproximada de 1/8" de la pared.
4. Alinee los soportes de montaje con los tornillos recientemente instalados y cuelgue el espejo.

Cómo conservar la belleza de sus muebles

Los muebles finos de madera pueden ser una inversión considerable, que se espera que sirvan por generaciones. Para conservar su belleza y ayudar a que los muebles de madera duren mucho tiempo, es necesario darles el cuidado adecuado. Los productos Foremost Furniture son acabados con dos o tres capas de laca para lograr una mejor profundidad y durabilidad. El brillo, o lustre, del acabado varía desde alto hasta bajo, lo que depende del mueble o de la colección. El acabado protege la madera y realza su belleza. Ningún acabado es completamente indestructible... pero cuidándolo regularmente, puede durar un tiempo mucho mayor, y ofrecerle muchos años de satisfacción.

Para proteger y conservar sus muebles, le ofrecemos las siguientes sugerencias:

- Evite colocar sus muebles Foremost Furniture bajo la luz solar directa, ya que ésta provoca su descoloración.
- Limpie inmediatamente los derrames. Séquelos absorbiendo con un paño, en lugar de frotar. El agua que se queda por mucho tiempo deja manchas blanquecinas en el acabado. El alcohol, los perfumes, las lociones para después de afeitar y los medicamentos pueden causar mucho daño al acabado.

Cómo limpiar y lustrar sus muebles:

Recomendamos limpiar el polvo con frecuencia con un paño limpio, seco, suave y sin pelusas. Limpie la superficie frotando en la dirección de la veta de la madera. Recomendamos lustrar sus muebles cada seis meses aproximadamente, con paño limpio, seco, suave y sin pelusas, frotándolos en la dirección de la veta de la madera.

¿Qué productos para la conservación de muebles recomendamos?

Recomendamos productos para lustrar muebles que contengan detergentes, emulsificantes y aceite mineral. Los detergentes limpian la suciedad de los muebles, los emulsificantes le dan cuerpo para que limpie y dure un mayor tiempo, y el aceite mineral deja una capa de protección contra la suciedad y la humedad que pudieran dañar el acabado. No contienen partículas abrasivas que dañen el acabado, cera que se acumule ni silicona que aumente el brillo, y actúan como una barrera para los retoques y la restauración del acabado.

Gracias por comprar este mueble Foremost Furniture. Su nuevo mueble armado ha sido fabricado usando únicamente los materiales más finos y capta la esencia de la belleza y del estilo de elegancia eterna.

En Foremost Furniture, cada mueble de calidad se hace pensando en el cliente. Cada aspecto de lo que hacemos gira en torno a las necesidades del cliente.

Si tiene alguna pregunta acerca de su mueble, nos gustaría atenderla con prontitud. Nuestro personal capacitado está listo para ayudarlo y ofrecerle un servicio rápido y eficiente. Sírvase llamar al teléfono de llamada gratuita del Servicio de atención al cliente.

**Línea gratuita
de ayuda al cliente:
1-800-443-1410
U.S. Customers**

De lunes a viernes, de las 9.00 a las 17.30 horas, hora estándar del Este

**Ligne sans frais de service
à la clientèle
1-888-256-7551
Clients Canadiens**

De lundi au vendredi, de 9 h à 17 h 30, HNE

Información de garantía

Cada mueble fabricado por Foremost Groups, Inc., está cubierto por una garantía de 5 años / limitada para toda la vida. Garantizamos, por un período de 5 años contado a partir de la fecha de entrega, que nuestros muebles no tienen defectos de materiales ni de mano de obra.

Además, ofrecemos una garantía limitada para toda la vida sobre los sistemas de suspensión de los cajones. Estas garantías se otorgan al comprador original y quedan limitadas a la reparación o al cambio de cualquier pieza que se demuestre que se encuentra defectuosa en condiciones normales de uso, durante el período de la vigencia de la misma.

Estas garantías no amparan los casos de muebles incorrectamente guardados o armados, ni el maltrato, abuso o las alteraciones de cualquier tipo. Las garantías no cubren los costos de remoción de piezas amparadas ni la instalación de piezas cambiadas.

Estas son las únicas garantías que otorga Foremost Groups, Inc., y se otorgan en lugar de toda otra garantía, sea expresa o implícita, incluyendo las garantías implícitas sobre la idoneidad del producto para su comercialización o para un uso determinado. Quedan excluidos los gastos de mano de obra de remoción o de instalación de las piezas amparadas, así como los daños y perjuicios accesorios o indirectos. No asumimos ninguna otra responsabilidad en relación con la venta de este producto.

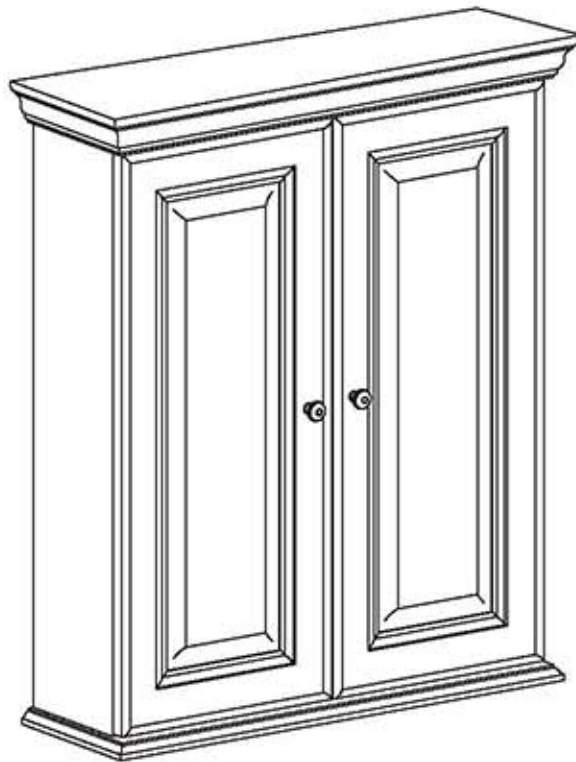
Hawthorne

Código de los productos

HANW2428

Vigentes a partir del 15-01-07

GABINETE DE LA PARED



Línea gratuita de ayuda al cliente:

1-800-443-1410 U.S. Cutomers

De lunes a viernes, de las 9.00 a las 17.30 horas, hora estándar del Este

Linge sans frais de service à la clientèle

1-888-256-7551 Clients Canadiens

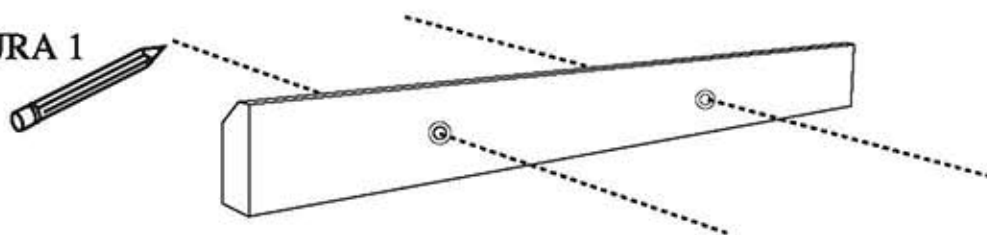
De lundi au vendredi, de 9 h à 17 h 30, HNE

Sírvase leer las instrucciones antes de empezar el proceso de ensamblaje del producto.

1 CÓMO INSTALAR EL GABINETE EN LA PARED

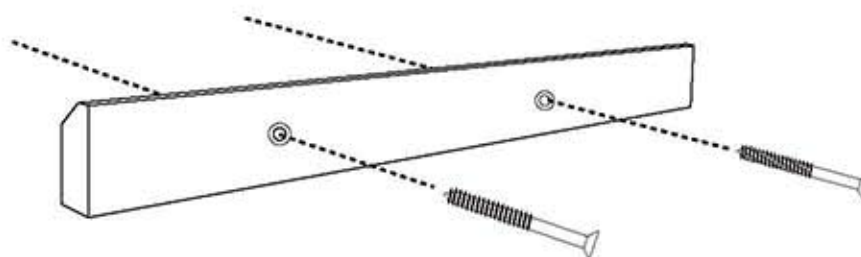
1. Ubique dos largueros en la pared donde desee instalar el gabinete, márquelos y mida la distancia que hay entre ambos.
2. Usando el listón de montaje (fig. 1), marque el lugar donde deben ir los tornillos para que pueda alinearlos con los largueros. Debe fijar el listón de madera a la pared aproximadamente a unas 2" por debajo del lugar donde desea instalar el gabinete.

FIGURA 1



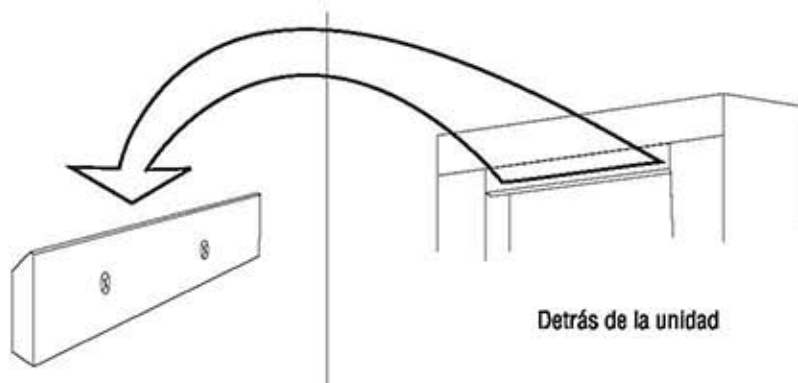
3. Verifique que el listón de montaje esté bien nivelado y luego fijelo en la pared como se ilustra (fig. 2), enroscando en los largueros los tornillos para madera. Trate de encontrar al menos un larguero dentro del área marcada. Si no dispone de ningún larguero, use un ancla articulada para fijar el gabinete en la pared. (No vienen con el mueble ni los tornillos para madera ni los anclas).

FIGURA 2



4. Ahora, el gabinete está listo para instalarlo en la pared. Levante el gabinete y colóquelo sobre el listón de montaje (fig. 3).

FIGURA 3



2

INSTALACIÓN DEL ESTANTE

Ilustración 2

1. Colocar las grapas del estante por el orificio previamente taladrado localizado dentro del gabinete de baño en el lado derecho y izquierdo de las paredes. Una vez instalado, colocar el estante de madera por sobre las grapas.



Ilustración 2

Cómo conservar la belleza de sus muebles

Los muebles finos de madera pueden ser una inversión considerable, que se espera que sirvan por generaciones. Para conservar su belleza y ayudar a que los muebles de madera duren mucho tiempo, es necesario darles el cuidado adecuado. Los productos Foremost Furniture son acabados con dos o tres capas de laca para lograr una mejor profundidad y durabilidad. El brillo, o lustre, del acabado varía desde alto hasta bajo, lo que depende del mueble o de la colección. El acabado protege la madera y realza su belleza. Ningún acabado es completamente indestructible... pero cuidándolo regularmente, puede durar un tiempo mucho mayor, y ofrecerle muchos años de satisfacción.

Para proteger y conservar sus muebles, le ofrecemos las siguientes sugerencias:

- Evite colocar sus muebles Foremost Furniture bajo la luz solar directa, ya que ésta provoca su descoloración.
- Limpie inmediatamente los derrames. Séquelos absorbiendo con un paño, en lugar de frotar. El agua que se queda por mucho tiempo deja manchas blanquecinas en el acabado. El alcohol, los perfumes, las lociones para después de afeitar y los medicamentos pueden causar mucho daño al acabado.

Cómo limpiar y lustrar sus muebles:

Recomendamos limpiar el polvo con frecuencia con un paño limpio, seco, suave y sin pelusas. Limpie la superficie frotando en la dirección de la veta de la madera. Recomendamos lustrar sus muebles cada seis meses aproximadamente, con paño limpio, seco, suave y sin pelusas, frotándolos en la dirección de la veta de la madera.

¿Qué productos para la conservación de muebles recomendamos?

Recomendamos productos para lustrar muebles que contengan detergentes, emulsificantes y aceite mineral. Los detergentes limpian la suciedad de los muebles, los emulsificantes le dan cuerpo para que limpie y dure un mayor tiempo, y el aceite mineral deja una capa de protección contra la suciedad y la humedad que pudieran dañar el acabado. No contienen partículas abrasivas que dañen el acabado, cera que se acumule ni silicona que aumente el brillo, y actúan como una barrera para los retoques y la restauración del acabado.

Gracias por comprar este mueble Foremost Furniture. Su nuevo mueble armado ha sido fabricado usando únicamente los materiales más finos y capta la esencia de la belleza y del estilo de elegancia eterna.

En Foremost Furniture, cada mueble de calidad se hace pensando en el cliente. Cada aspecto de lo que hacemos gira en torno a las necesidades del cliente.

Si tiene alguna pregunta acerca de su mueble, nos gustaría atenderla con prontitud. Nuestro personal capacitado está listo para ayudarlo y ofrecerle un servicio rápido y eficiente. Sírvese la mar al teléfono de llamada gratuita del Servicio de atención al cliente.

**Línea gratuita
de ayuda al cliente:
1-800-443-1410
U.S. Cutomers**

**Linge sans frais de service
à la clientéle
1-888-256-7551
Clients Canadiens**

De lunes a viernes, de las 9.00 a las 17.30 horas, hora estándar del Este

De lundi au vendredi, de 9 h à 17 h 30, HNE

Información de garantía

Cada mueble fabricado por Foremost Groups, Inc., está cubierto por una garantía de 5 años / limitada para toda la vida. Garantizamos, por un período de 5 años contado a partir de la fecha de entrega, que nuestros muebles no tienen defectos de materiales ni de mano de obra.

Además, ofrecemos una garantía limitada por a toda la vida sobre los sistemas de suspensión de los cajones. Estas garantías se otorgan al comprador original y quedan limitadas a la reparación o al cambio de cualquier pieza que se demuestre que se encuentra defectuosa en condiciones normales de uso, durante el período de la vigencia de la misma.

Estas garantías no amparan los casos de muebles incorrectamente guardados o armados, ni el maltrato, abuso o las alteraciones de cualquier tipo. Las garantías no cubren los costos de remoción de piezas amparadas ni la instalación de piezas cambiadas.

Estas son las únicas garantías que otorga Foremost Groups, Inc., y se otorgan en lugar de toda otra garantía, sea expresa o implícita, incluyendo las garantías implícitas sobre la idoneidad del producto para su comercialización o para un uso determinado. Quedan excluidos los gastos de mano de obra de remoción o de instalación de las piezas amparadas, así como los daños y perjuicios accesorios o indirectos. No asumimos ninguna otra responsabilidad en relación con la venta de este producto.

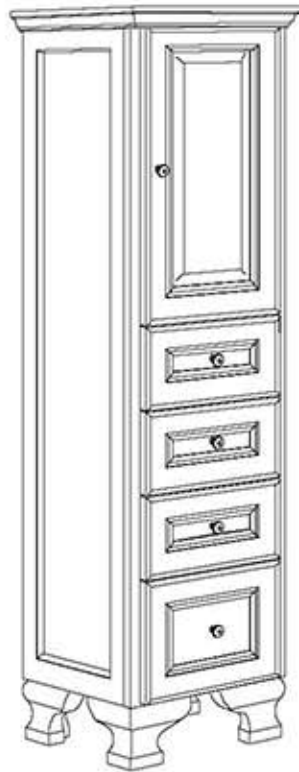
Hawthorne

Código de los productos

HANT1556

Vigentes a partir del 15-01-07

GABINETE ALTO



Línea gratuita de ayuda al cliente:

1-800-443-1410 U.S. Cutomers

De lunes a viernes, de las 9.00 a las 17.30 horas, hora estándar del Este

Linge sans frais de service à la clientèle

1-888-256-7551 Clients Canadiens

De lundi au vendredi, de 9 h à 17 h 30, HNE

1**INSTALACIÓN DE LA PERILLA / MANIJA****Ilustración 1**

1. Colocar el tornillo por el orificio previamente taladrado en la puerta o en la gaveta. Alinear la perilla o la manija con el tornillo y apretarla con el destornillador.
2. Repetir el proceso en la segunda puerta.

INSTALACIÓN DE LA PERILLA**2****INSTALACIÓN DEL ESTANTE****Ilustración 2**

1. Colocar las grapas del estante por el orificio previamente taladrado localizado dentro del gabinete de baño en el lado derecho e izquierdo de las paredes. Una vez instalado, colocar el estante de madera por sobre las grapas.

**Cómo conservar la belleza de sus muebles**

Los muebles finos de madera pueden ser una inversión considerable, que se espera que sirvan por generaciones. Para conservar su belleza y ayudar a que los muebles de madera duren mucho tiempo, es necesario darles el cuidado adecuado. Los productos Foremost Furniture son acabados con dos o tres capas de laca para lograr una mejor profundidad y durabilidad. El brillo, o lustre, del acabado varía desde alto hasta bajo, lo que depende del mueble o de la colección. El acabado protege la madera y realza su belleza. Ningún acabado es completamente indestructible... pero cuidándolo regularmente, puede durar un tiempo mucho mayor, y ofrecerle muchos años de satisfacción.

Para proteger y conservar sus muebles, le ofrecemos las siguientes sugerencias:

- Evite colocar sus muebles Foremost Furniture bajo la luz solar directa, ya que ésta provoca su decoloración.
- Limpie inmediatamente los derrames. Séquelos absorbiendo con un paño, en lugar de frotar. El agua que se queda por mucho tiempo deja manchas blanquecinas en el acabado. El alcohol, los perfumes, las lociones para después de afeitarse y los medicamentos pueden causar mucho daño al acabado.

Cómo limpiar y lustrar sus muebles:

Recomendamos limpiar el polvo con frecuencia con un paño limpio, seco, suave y sin pelusas. Limpie la superficie frotando en la dirección de la veta de la madera. Recomendamos lustrar sus muebles cada seis meses aproximadamente, con paño limpio, seco, suave y sin pelusas, frotándolos en la dirección de la veta de la madera.

¿Qué productos para la conservación de muebles recomendamos?

Recomendamos productos para lustrar muebles que contengan detergentes, emulsificantes y aceite mineral. Los detergentes limpian la suciedad de los muebles, los emulsificantes le dan cuerpo para que limpie y dure un mayor tiempo, y el aceite mineral deja una capa de protección contra la suciedad y la humedad que pudieran dañar el acabado. No contienen partículas abrasivas que dañen el acabado, cera que se acumule ni silicona que aumente el brillo, y actúan como una barrera para los retoques y la restauración del acabado.

Gracias por comprar este mueble Foremost Furniture. Su nuevo mueble armado ha sido fabricado usando únicamente los materiales más finos y capta la esencia de la belleza y del estilo de elegancia eterna.

En Foremost Furniture, cada mueble de calidad se hace pensando en el cliente. Cada aspecto de lo que hacemos gira en torno a las necesidades del cliente.

Si tiene alguna pregunta acerca de su mueble, nos gustaría atenderla con prontitud. Nuestro personal capacitado está listo para ayudarlo y ofrecerle un servicio rápido y eficiente. Sírvase llamar al teléfono de llamada gratuita del Servicio de atención al cliente.

**Línea gratuita
de ayuda al cliente:
1-800-443-1410
U.S. Customers**

**Ligne sans frais de service
à la clientèle
1-888-256-7551
Clients Canadiens**

De lunes a viernes, de las 9.00 a las 17.30 horas, hora estándar del Este

De lundi au vendredi, de 9 h à 17 h 30, HNE

Información de garantía

Cada mueble fabricado por Foremost Groups, Inc., está cubierto por una garantía de 5 años / limitada para toda la vida. Garantizamos, por un período de 5 años contado a partir de la fecha de entrega, que nuestros muebles no tienen defectos de materiales ni de mano de obra.

Además, ofrecemos una garantía limitada para toda la vida sobre los sistemas de suspensión de los cajones. Estas garantías se otorgan al comprador original y quedan limitadas a la reparación o al cambio de cualquier pieza que se demuestre que se encuentra defectuosa en condiciones normales de uso, durante el período de la vigencia de la misma.

Estas garantías no amparan los casos de muebles incorrectamente guardados o armados, ni el maltrato, abuso o las alteraciones de cualquier tipo. Las garantías no cubren los costos de remoción de piezas amparadas ni la instalación de piezas cambiadas.

Estas son las únicas garantías que otorga Foremost Groups, Inc., y se otorgan en lugar de toda otra garantía, sea expresa o implícita, incluyendo las garantías implícitas sobre la idoneidad del producto para su comercialización o para un uso determinado. Quedan excluidos los gastos de mano de obra de remoción o de instalación de las piezas amparadas, así como los daños y perjuicios accesorios o indirectos. No asumimos ninguna otra responsabilidad en relación con la venta de este producto.

Hawthorne

Codes de produit

HANA2421D

HANA3021D

HANA3621D

HANA4821D

HANA6021D

Date d'entrée en vigueur:
15-01-07

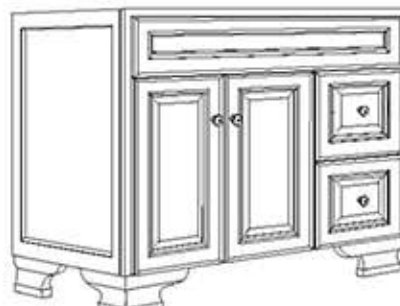
VANITÉ ASSEMBLÉ



HANA2421D



HANA3021D



HANA3621D



HANA4821D



HANA6021D

Toll Free Customer Assistance
1-800-443-1410 U.S. Customers
Monday-Friday, 9:00a.m. To 5:30p.m., EST

Linge sans frais de service à la clientèle
1-888-256-7551 Clients Canadiens
De lundi au vendredi, de 9 h à 17 h 30, HNE

1

**INSTALLATION DU BOUTON
OU DE LA POIGNÉE**

Schéma 1

1. Insérez les vis à métal dans les trous prépercés de la porte ou du tiroir. Alignez le bouton ou la poignée avec les vis à métal et serrez avec un tournevis.
2. Répétez ces étapes pour les portes ou tiroirs additionnels.



Schéma 1

Conservez une belle apparence à votre mobilier

Le mobilier en bois de qualité constitue un investissement important sensé durer pendant des générations. Pour conserver longtemps son élégance, le mobilier en bois requiert un bon entretien. Les meubles de Foremost offrent une finition composée de deux à trois couches de vernis-laque pour une résistance à toute épreuve et une profondeur supplémentaire. Le lustre ou le brillant du fini varie d'élevé à faible, selon la pièce ou la collection. Le fini protège le bois et l'embellit. Il n'existe aucun fini qui soit parfaitement indestructible. Mais grâce à un entretien régulier, le fini durera beaucoup plus longtemps, vous permettant ainsi d'en profiter pendant des années.

Afin de protéger et d'entretenir votre mobilier, nous vous suggérons de prendre les mesures suivantes :

- Évitez de placer votre mobilier Foremost en plein soleil, car les rayons décolorent le mobilier.
- Nettoyez sans délai les liquides renversés. Il vaut mieux éponger la surface que l'essuyer. La surface laissée humide pendant une période de temps prolongée entraînera l'apparition de taches blanches sur le fini. L'alcool, le parfum, la lotion après rasage, ainsi que les médicaments risquent de gravement endommager le fini.

Nettoyage et polissage de votre meuble :

Nous vous recommandons de l'épousseter fréquemment au moyen d'un linge propre, doux et non pelucheux. Nettoyez la surface en la frottant dans le sens du grain. Nous vous recommandons de polir votre meuble tous les six mois environ, au moyen d'un linge propre, doux et non pelucheux et de nettoyer la surface en la frottant dans le sens du grain.

Quels produits recommandons-nous pour l'entretien du mobilier?

Nous recommandons des produits à polir contenant des détergents, des émulsifiants et de l'huile minérale. Les détergents enlèvent la saleté du mobilier, les émulsifiants font mousser et durent plus longtemps, et l'huile minérale agit comme d'une barrière protectrice contre la saleté et l'humidité susceptibles d'abîmer les finis. Il ne se trouve ni impureté pouvant affecter le fini, ni cire pouvant s'accumuler, ni silicone pour enlever la brillance et servir de barrière aux retouches et à la remise en état du produit.

Nous vous remercions d'avoir acheté ce meuble de Foremost. Votre nouveau meuble assemblé est fabriqué en ne faisant appel qu'aux matériaux de la meilleure qualité et il renferme l'essence de la beauté et du chic traditionnels.

Chez Foremost, chaque pièce d'ébénisterie est conçue en gardant la clientèle à l'esprit. Chaque chose que nous faisons est orientée vers les besoins du client.

Si vous avez des questions à poser concernant notre mobilier, nous souhaitons y répondre dans les meilleurs délais. Notre personnel bien formé est prêt à vous aider en vous offrant un service rapide et efficace. Veuillez appeler notre numéro de service à la clientèle sans frais.

Toll Free Customer Assistance**1-800-443-1410****U.S. Customers**

Monday-Friday, 9:00a.m. To 5:30p.m., EST

**Linge sans frais de service
à la clientèle****1-888-256-7551****Clients Canadiens**

De lundi au vendredi, de 9 h à 17 h 30, HNE

Renseignements concernant la garantie

Chaque meuble fabriqué par Foremost Groups, Inc. est couvert par une garantie limitée à vie ou de 5 ans. Nous garantissons que nos meubles sont exempts de défauts matériels et de main-d'œuvre pendant une période de 5 ans à compter de la date de livraison.

De plus, nous offrons une garantie à vie limitée sur nos systèmes de suspension de tiroirs. Les présentes garanties sont offertes à l'acheteur d'origine et elles sont limitées à la réparation ou à l'échange de toute pièce que ce soit, s'il est établi qu'elle est défectueuse dans des conditions d'utilisation normale au cours de la période de garantie.

Elles ne s'appliquent pas dans le cas où les meubles ont fait l'objet d'une installation ou d'un entreposage inapproprié, d'un usage non conforme, d'une utilisation abusive, ou s'ils ont été modifiés de façon quelconque. Elles ne couvrent pas le coût que représente l'élimination du matériel garanti, ainsi que l'installation du matériel qui le remplace.

Les présentes garanties sont les seules garanties de Foremost Groups, Inc. et remplacent toute autre garantie, expresse ou implicite, y compris toute garantie implicite de qualité marchande et de conformité du produit à un usage particulier. Les coûts de main-d'œuvre liés à l'élimination ou à l'installation du matériel couvert par la garantie, ainsi que les dommages directs ou consécutifs ne sont pas compris. Nous ne pouvons être tenu responsable d'aucune obligation ayant trait à la vente de notre produit.

Hawthorne

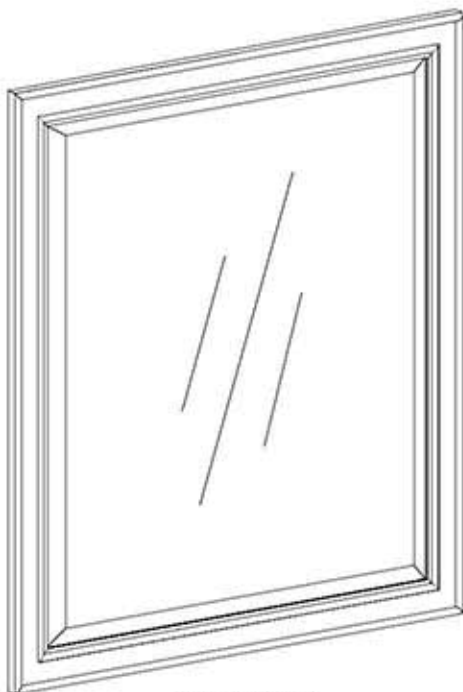
Codes de produit

HANM2432

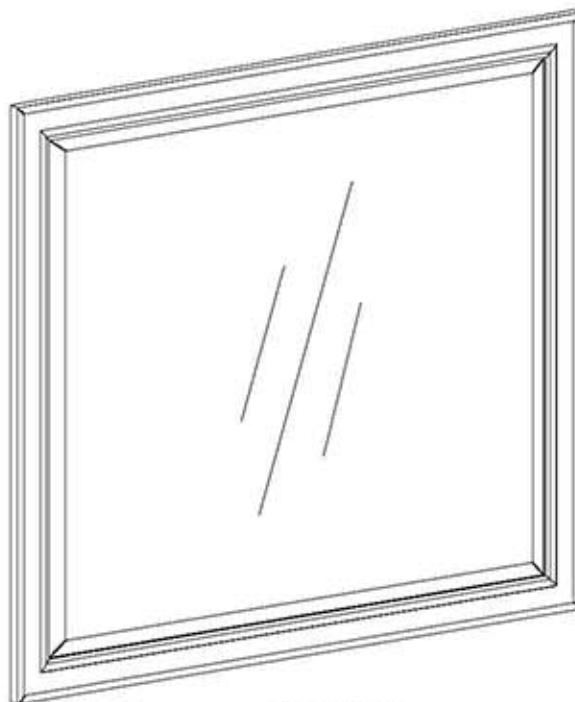
HANM2832

Date d'entrée en vigueur:
15-01-07

MIROIR DE MUR



HANM2432



HANM2832

Toll Free Customer Assistance
1-800-443-1410 U.S. Customers

Monday-Friday, 9:00a.m. To 5:30p.m., EST

Linge sans frais de service à la clientèle
1-888-256-7551 Clients Canadiens

De lundi au vendredi, de 9 h à 17 h 30, HNE

Veillez lire les instructions avant de procéder à l'assemblage.

1 MIROIR DE SUPPORT À MURER

1. Obtenez une aide de tenir le miroir contre le mur où il sera accroché. Faites une marque sur le mur pour le dessus et le bas du miroir. Employez un niveau pour s'ajuster au plomb et marquez la ligne au point là où le dessus marque intersecte avec le marque du plomb.

2. Employez une règle pour mesurer et marque la position des supports sur le mur. Supports sont localisés sur le dos du miroir. (Regarde Schéma 1 vers la droite).

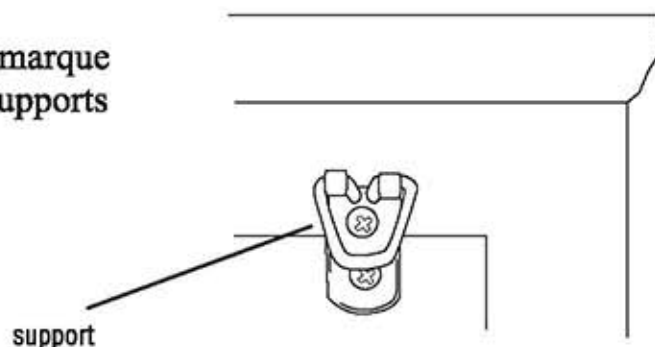


SCHÉMA 1

3. Essayez de trouver au moins un montant à l'endroit où vous avez fait une marque. S'il n'y a pas de montant, utilisez des boulons à ailettes afin de fixer le miroir au mur (Les vis, les pièces d'ancrage et l'ensemble de montage ne sont pas compris). Installez la vis de support dans le mur en position appropriée congé approximativement 1/8po du mur.
4. Align les supports du miroir avec les vis nouvellement installé et coup le miroir en conséquence.

Conservez une belle apparence à votre mobilier

Le mobilier en bois de qualité constitue un investissement important sensé durer pendant des générations. Pour conserver longtemps son élégance, le mobilier en bois requiert un bon entretien. Les meubles de Foremost offrent une finition composée de deux à trois couches de vernis-laque pour une résistance à toute épreuve et une profondeur supplémentaire. Le lustre ou le brillant du fini varie d'élevé à faible, selon la pièce ou la collection. Le fini protège le bois et l'embellit. Il n'existe aucun fini qui soit parfaitement indestructible. Mais grâce à un entretien régulier, le fini durera beaucoup plus longtemps, vous permettant ainsi d'en profiter pendant des années.

Afin de protéger et d'entretenir votre mobilier, nous vous suggérons de prendre les mesures suivantes :

- Évitez de placer votre mobilier Foremost en plein soleil, car les rayons décolorent le mobilier.
- Nettoyez sans délai les liquides renversés. Il vaut mieux éponger la surface que l'essuyer. La surface laissée humide pendant une période de temps prolongée entraînera l'apparition de taches blanches sur le fini. L'alcool, le parfum, la lotion après rasage, ainsi que les médicaments risquent de gravement endommager le fini.

Nettoyage et polissage de votre meuble :

Nous vous recommandons de l'épousseter fréquemment au moyen d'un linge propre, doux et non pelucheux. Nettoyez la surface en la frottant dans le sens du grain. Nous vous recommandons de polir votre meuble tous les six mois environ, au moyen d'un linge propre, doux et non pelucheux et de nettoyer la surface en la frottant dans le sens du grain.

Quels produits recommandons-nous pour l'entretien du mobilier?

Nous recommandons des produits à polir contenant des détergents, des émulsifiants et de l'huile minérale. Les détergents enlèvent la saleté du mobilier, les émulsifiants font mousser et durent plus longtemps, et l'huile minérale agit comme d'une barrière protectrice contre la saleté et l'humidité susceptibles d'abîmer les finis. Il ne se trouve ni impureté pouvant affecter le fini, ni cire pouvant s'accumuler, ni silicone pour enlever la brillance et servir de barrière aux retouches et à la remise en état du produit.

Nous vous remercions d'avoir acheté ce meuble de Foremost. Votre nouveau meuble assemblé est fabriqué en ne faisant appel qu'aux matériaux de la meilleure qualité et il renferme l'essence de la beauté et du chic traditionnels.

Chez Foremost, chaque pièce d'ébénisterie est conçue en gardant la clientèle à l'esprit. Chaque chose que nous faisons est orientée vers les besoins du client.

Si vous avez des questions à poser concernant notre mobilier, nous souhaitons y répondre dans les meilleurs délais. Notre personnel bien formé est prêt à vous aider en vous offrant un service rapide et efficace. Veuillez appeler notre numéro de service à la clientèle sans frais.

Toll Free Customer Assistance

1-800-443-1410

U.S. Customers

Monday-Friday, 9:00a.m. To 5:30p.m., EST

Linge sans frais de service à la clientèle

1-888-256-7551

Clients Canadiens

De lundi au vendredi, de 9 h à 17 h 30, HNE

Renseignements concernant la garantie

Chaque meuble fabriqué par Foremost Groups, Inc. est couvert par une garantie limitée à vie ou de 5 ans. Nous garantissons que nos meubles sont exempts de défauts matériels et de main-d'œuvre pendant une période de 5 ans à compter de la date de livraison.

De plus, nous offrons une garantie à vie limitée sur nos systèmes de suspension de tiroirs. Les présentes garanties sont offertes à l'acheteur d'origine et elles sont limitées à la réparation ou à l'échange de toute pièce que ce soit, s'il est établi qu'elle est défectueuse dans des conditions d'utilisation normale au cours de la période de garantie.

Elles ne s'appliquent pas dans le cas où les meubles ont fait l'objet d'une installation ou d'un entreposage inapproprié, d'un usage non conforme, d'une utilisation abusive, ou s'ils ont été modifiés de façon quelconque. Elles ne couvrent pas le coût que représente l'élimination du matériel garanti, ainsi que l'installation du matériel qui le remplace.

Les présentes garanties sont les seules garanties de Foremost Groups, Inc. et remplacent toute autre garantie, expresse ou implicite, y compris toute garantie implicite de qualité marchande et de conformité du produit à un usage particulier. Les coûts de main-d'œuvre liés à l'élimination ou à l'installation du matériel couvert par la garantie, ainsi que les dommages directs ou consécutifs ne sont pas compris. Nous ne pouvons être tenu responsable d'aucune obligation ayant trait à la vente de notre produit.

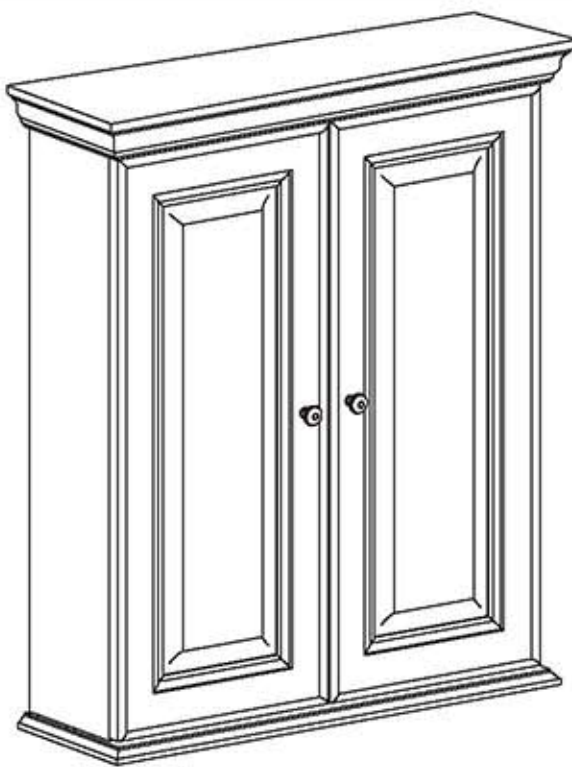
Hawthorne

Codes de produit

HANW2428

Date d'entrée en vigueur:
15-01-07

COFFRET DE MUR



Toll Free Customer Assistance
1-800-443-1410 U.S. Customers
Monday-Friday, 9:00a.m. To 5:30p.m., EST

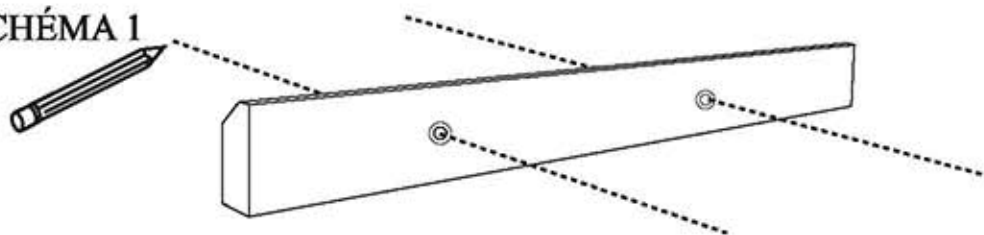
Linge sans frais de service à la clientèle
1-888-256-7551 Clients Canadiens
De lundi au vendredi, de 9 h à 17 h 30, HNE

Veuillez lire les instructions avant de procéder à l'assemblage.

1 MONTAGE DE L'ARMOIRE AU MUR

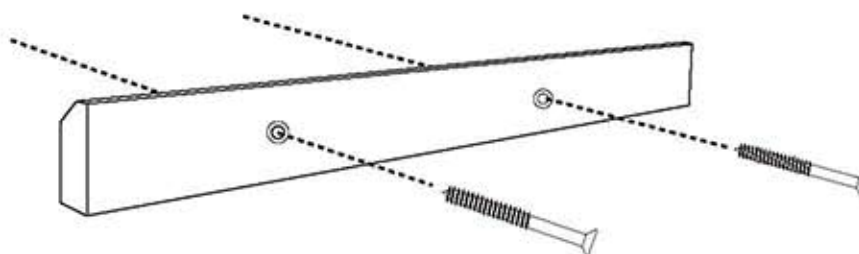
1. Localisez la position de deux colombages dans le mur à l'endroit où vous voulez installer l'armoire. Faites des traits pour identifier l'endroit, puis mesurez la distance entre les colombages.
2. Faites une marque sur le rail suspendu en bois (schéma 1) là où vous voulez poser les vis, de façon à les aligner vis-à-vis des colombages. Le rail suspendu en bois doit être fixé au mur environ 3 po sous la hauteur désirée de l'armoire.

SCHÉMA 1



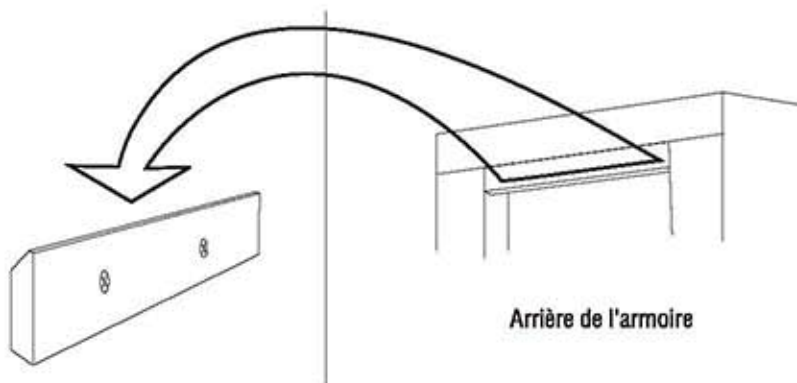
3. Assurez-vous que le rail suspendu en bois est positionné de niveau, puis fixez-le au mur tel qu'illustré (schéma 2) en insérant les vis à bois dans les colombages. Essayez de trouver au moins un colombage à l'intérieur de la zone tracée. Si aucun colombage ne peut être repéré, placez des pièces de fixation pour assurer la solidité de l'armoire au mur (vis à bois et pièces de fixation non comprises).

SCHÉMA 2



4. L'armoire peut maintenant être installée au mur. Soulevez l'armoire pour la placer sur le rail suspendu en bois. (schéma 3)

SCHÉMA 3



2

INSTALLATION D'ÉTAGÈRE

Schéma 2

1. Placez les agrafes d'étagère dans les trous trouvés à l'intérieur de la vanité sur les murs latéraux droits et gauches. Après étagère des agrafes sont installées reposez l'étagère en bois sur des agrafes.

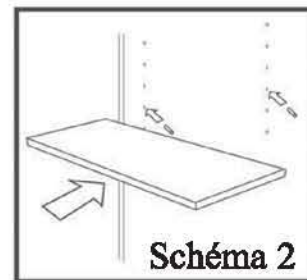


Schéma 2

Conservez une belle apparence à votre mobilier

Le mobilier en bois de qualité constitue un investissement important sensé durer pendant des générations. Pour conserver longtemps son élégance, le mobilier en bois requiert un bon entretien. Les meubles de Foremost offrent une finition composée de deux à trois couches de vernis-laque pour une résistance à toute épreuve et une profondeur supplémentaire. Le lustre ou le brillant du fini varie d'élevé à faible, selon la pièce ou la collection. Le fini protège le bois et l'embellit. Il n'existe aucun fini qui soit parfaitement indestructible. Mais grâce à un entretien régulier, le fini durera beaucoup plus longtemps, vous permettant ainsi d'en profiter pendant des années.

Afin de protéger et d'entretenir votre mobilier, nous vous suggérons de prendre les mesures suivantes :

- Évitez de placer votre mobilier Foremost en plein soleil, car les rayons décolorent le mobilier.
- Nettoyez sans délai les liquides renversés. Il vaut mieux éponger la surface que l'essuyer. La surface laissée humide pendant une période de temps prolongée entraînera l'apparition de taches blanches sur le fini. L'alcool, le parfum, la lotion après rasage, ainsi que les médicaments risquent de gravement endommager le fini.

Nettoyage et polissage de votre meuble :

Nous vous recommandons de l'épousseter fréquemment au moyen d'un linge propre, doux et non pelucheux. Nettoyez la surface en la frottant dans le sens du grain. Nous vous recommandons de polir votre meuble tous les six mois environ, au moyen d'un linge propre, doux et non pelucheux et de nettoyer la surface en la frottant dans le sens du grain.

Quels produits recommandons-nous pour l'entretien du mobilier?

Nous recommandons des produits à polir contenant des détergents, des émulsifiants et de l'huile minérale. Les détergents enlèvent la saleté du mobilier, les émulsifiants font mousser et durent plus longtemps, et l'huile minérale agit comme d'une barrière protectrice contre la saleté et l'humidité susceptibles d'abîmer les finis. Il ne se trouve ni impureté pouvant affecter le fini, ni cire pouvant s'accumuler, ni silicone pour enlever la brillance et servir de barrière aux retouches et à la remise en état du produit.

Nous vous remercions d'avoir acheté ce meuble de Foremost. Votre nouveau meuble assemblé est fabriqué en ne faisant appel qu'aux matériaux de la meilleure qualité et il renferme l'essence de la beauté et du chic traditionnels.

Chez Foremost, chaque pièce d'ébénisterie est conçue en gardant la clientèle à l'esprit. Chaque chose que nous faisons est orientée vers les besoins du client.

Si vous avez des questions à poser concernant notre mobilier, nous souhaitons y répondre dans les meilleurs délais. Notre personnel bien formé est prêt à vous aider en vous offrant un service rapide et efficace. Veuillez appeler notre numéro de service à la clientèle sans frais.

Toll Free Customer Assistance

1-800-443-1410

U.S. Customers

Monday-Friday, 9:00a.m. To 5:30p.m., EST

**Linge sans frais de service
à la clientèle**

1-888-256-7551

Clients Canadiens

De lundi au vendredi, de 9 h à 17 h 30, HNE

Renseignements concernant la garantie

Chaque meuble fabriqué par Foremost Groups, Inc. est couvert par une garantie limitée à vie ou de 5 ans. Nous garantissons que nos meubles sont exempts de défauts matériels et de main-d'œuvre pendant une période de 5 ans à compter de la date de livraison.

De plus, nous offrons une garantie à vie limitée sur nos systèmes de suspension de tiroirs. Les présentes garanties sont offertes à l'acheteur d'origine et elles sont limitées à la réparation ou à l'échange de toute pièce que ce soit, s'il est établi qu'elle est défectueuse dans des conditions d'utilisation normale au cours de la période de garantie.

Elles ne s'appliquent pas dans le cas où les meubles ont fait l'objet d'une installation ou d'un entreposage inapproprié, d'un usage non conforme, d'une utilisation abusive, ou s'ils ont été modifiés de façon quelconque. Elles ne couvrent pas le coût que représente l'élimination du matériel garanti, ainsi que l'installation du matériel qui le remplace.

Les présentes garanties sont les seules garanties de Foremost Groups, Inc. et remplacent toute autre garantie, expresse ou implicite, y compris toute garantie implicite de qualité marchande et de conformité du produit à un usage particulier. Les coûts de main-d'œuvre liés à l'élimination ou à l'installation du matériel couvert par la garantie, ainsi que les dommages directs ou consécutifs ne sont pas compris. Nous ne pouvons être tenu responsable d'aucune obligation ayant trait à la vente de notre produit.

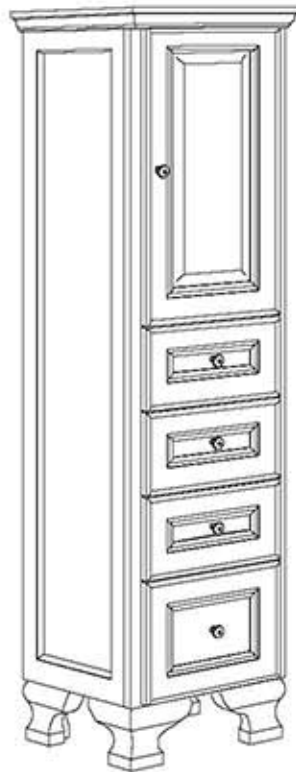
Codes de produit

HANT1556

Date d'entrée en vigueur:
15-01-07

Hawthorne

COFFRET GRAND



Toll Free Customer Assistance
1-800-443-1410 U.S. Customers
Monday-Friday, 9:00a.m. To 5:30p.m., EST

Linge sans frais de service à la clientèle
1-888-256-7551 Clients Canadiens
De lundi au vendredi, de 9 h à 17 h 30, HNE

1

**INSTALLATION DU BOUTON
OU DE LA POIGNÉE**

Schéma 1

1. Insérez les vis à métal dans les trous prépercés de la porte ou du tiroir. Alignez le bouton ou la poignée avec les vis à métal et serrez avec un tournevis.
2. Répétez ces étapes pour les portes ou tiroirs additionnels.



Schéma 1

2

INSTALLATION D'ÉTAGÈRE

Schéma 2

1. Placez les agrafes d'étagère dans les trous trouvés à l'intérieur de la vanité sur les murs latéraux droits et gauches. Après étagère des agrafes sont installées reposez l'étagère en bois sur des agrafes.

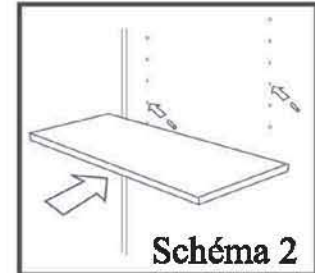


Schéma 2

Conservez une belle apparence à votre mobilier

Le mobilier en bois de qualité constitue un investissement important sensé durer pendant des générations. Pour conserver longtemps son élégance, le mobilier en bois requiert un bon entretien. Les meubles de Foremost offrent une finition composée de deux à trois couches de vernis-laqué pour une résistance à toute épreuve et une profondeur supplémentaire. Le lustre ou le brillant du fini varie d'élevé à faible, selon la pièce ou la collection. Le fini protège le bois et l'embellit. Il n'existe aucun fini qui soit parfaitement indestructible. Mais grâce à un entretien régulier, le fini durera beaucoup plus longtemps, vous permettant ainsi d'en profiter pendant des années.

Afin de protéger et d'entretenir votre mobilier, nous vous suggérons de prendre les mesures suivantes :

- Évitez de placer votre mobilier Foremost en plein soleil, car les rayons décolorent le mobilier.
- Nettoyez sans délai les liquides renversés. Il vaut mieux éponger la surface que l'essuyer. La surface laissée humide pendant une période de temps prolongée entraînera l'apparition de taches blanches sur le fini. L'alcool, le parfum, la lotion après rasage, ainsi que les médicaments risquent de gravement endommager le fini.

Nettoyage et polissage de votre meuble :

Nous vous recommandons de l'épousseter fréquemment au moyen d'un linge propre, doux et non pelucheux. Nettoyez la surface en la frottant dans le sens du grain. Nous vous recommandons de polir votre meuble tous les six mois environ, au moyen d'un linge propre, doux et non pelucheux et de nettoyer la surface en la frottant dans le sens du grain.

Quels produits recommandons-nous pour l'entretien du mobilier?

Nous recommandons des produits à polir contenant des détergents, des émulsifiants et de l'huile minérale. Les détergents enlèvent la saleté du mobilier, les émulsifiants font mousser et durent plus longtemps, et l'huile minérale agit comme d'une barrière protectrice contre la saleté et l'humidité susceptibles d'abîmer les finis. Il ne se trouve ni impureté pouvant affecter le fini, ni cire pouvant s'accumuler, ni silicone pour enlever la brillance et servir de barrière aux retouches et à la remise en état du produit.

Nous vous remercions d'avoir acheté ce meuble de Foremost. Votre nouveau meuble assemblé est fabriqué en ne faisant appel qu'aux matériaux de la meilleure qualité et il renferme l'essence de la beauté et du chic traditionnels.

Chez Foremost, chaque pièce d'ébénisterie est conçue en gardant la clientèle à l'esprit. Chaque chose que nous faisons est orientée vers les besoins du client.

Si vous avez des questions à poser concernant notre mobilier, nous souhaitons y répondre dans les meilleurs délais. Notre personnel bien formé est prêt à vous aider en vous offrant un service rapide et efficace. Veuillez appeler notre numéro de service à la clientèle sans frais.

Toll Free Customer Assistance
1-800-443-1410
U.S. Customers

Mondy-Friday, 9:00a.m. To 5:30p.m., EST

Linge sans frais de service
à la clientèle
1-888-256-7551
Clients Canadiens

De lundi au vendredi, de 9 h à 17 h 30, HNE

Renseignements concernant la garantie

Chaque meuble fabriqué par Foremost Groups, Inc. est couvert par une garantie limitée à vie ou de 5 ans. Nous garantissons que nos meubles sont exempts de défauts matériels et de main-d'œuvre pendant une période de 5 ans à compter de la date de livraison.

De plus, nous offrons une garantie à vie limitée sur nos systèmes de suspension de tiroirs. Les présentes garanties sont offertes à l'acheteur d'origine et elles sont limitées à la réparation ou à l'échange de toute pièce que ce soit, s'il est établi qu'elle est défectueuse dans des conditions d'utilisation normale au cours de la période de garantie.

Elles ne s'appliquent pas dans le cas où les meubles ont fait l'objet d'une installation ou d'un entreposage inapproprié, d'un usage non conforme, d'une utilisation abusive, ou s'ils ont été modifiés de façon quelconque. Elles ne couvrent pas le coût que représente l'élimination du matériel garanti, ainsi que l'installation du matériel qui le remplace.

Les présentes garanties sont les seules garanties de Foremost Groups, Inc. et remplacent toute autre garantie, expresse ou implicite, y compris toute garantie implicite de qualité marchande et de conformité du produit à un usage particulier. Les coûts de main-d'œuvre liés à l'élimination ou à l'installation du matériel couvert par la garantie, ainsi que les dommages directs ou consécutifs ne sont pas compris. Nous ne pouvons être tenu responsable d'aucune obligation ayant trait à la vente de notre produit.