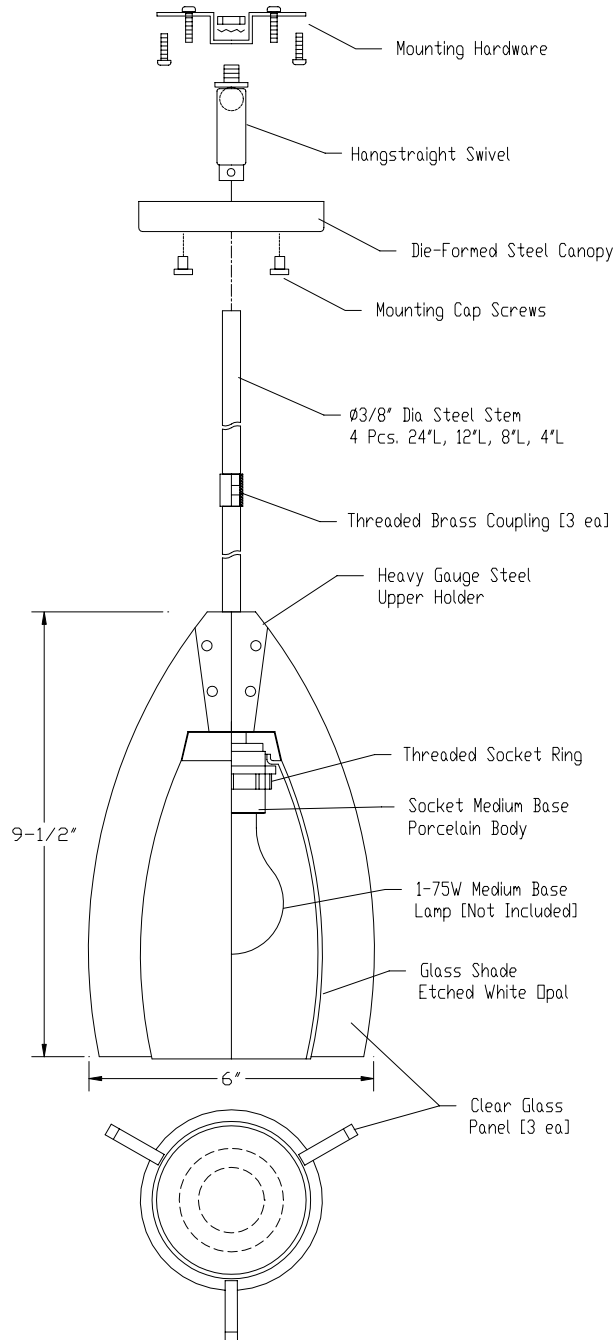


Specification Sheet

Mini Pendant

Model: **F5537-36 Satin Nickel**



Glass: Etched White Opal with Clear Panels
 Finish: Satin Nickel
 Width: 6" Height: 9-1/2" Overall Height: 59-1/2"
 Lamp: 1 – 75 Watt Medium Base (Not Included)
 Label: cULus Listed. Suitable for Dry Locations.