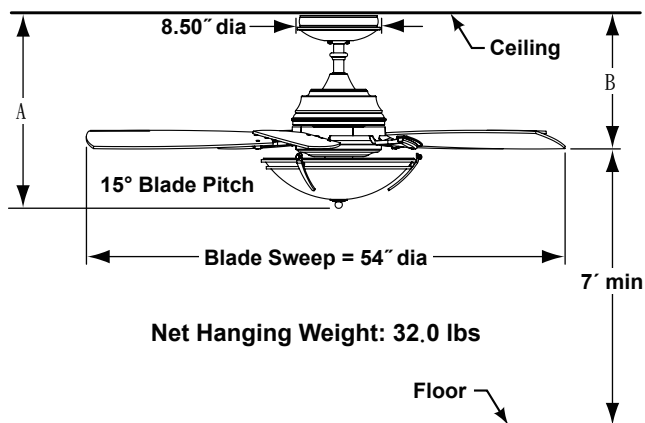


HUBBARDTON FORGE® SERIES

HF6600** Standard Presidio Tryne™ Fan



	A	B
Fan w/6" downrod	19.97"	13.68"
Fan w/12" downrod	25.97"	19.68"
Fan w/18" downrod	31.97"	25.68"
Fan w/24" downrod	37.97"	31.68"
Fan w/36" downrod	49.97"	43.68"
Fan w/48" downrod	61.97"	55.68"
Fan w/60" downrod	73.97"	67.68"
Fan w/72" downrod	85.97"	79.68"

INSTALLATION REQUIREMENTS:

Fan must be attached to a securely anchored electrical junction box capable of withstanding a load of at least 50 lbs.

ELECTRICAL REQUIREMENTS:

Requires a grounded electrical supply line of 120 volts AC, 60 Hz, 15 amp circuit.

MOTOR SPECS:

188 x 25 motor is designed for optimal performance with this fan.

BLADES:

A set of five wood blades is included.

CONTROL OPTIONS:

TR20WH hand-held remote control with wall mount is included. Push button remote control has 3 fan speeds, infinite light levels, reverse and off button. Optional C21 wall control is available—sold separately. Instructions are provided with each control.

LIGHTING OPTIONS:

Presidio Tryne™ downlight kit with three 40-watt candelabra bulbs is included. Maximum downlight wattage is not to exceed 120 watts.

DOWNROD OPTIONS:

Fan comes with a 1" dia. x 6" long downrod (DR1-6). Optional downrods available in 12", 18", 24", 36", 48", 60" and 72" lengths. Fan can be mounted on a sloped ceiling up to 30°. Most sloped ceiling installations require a downrod longer than the standard 6" downrod. Optional sloped ceiling ball kits (SCB1-52) are available for slope angles greater than 30° and up to 52°. Optional close-to-ceiling kit is available as well—sold separately. Call technical support for more information.

LOCATION USE:

Fan is dry location rated only. Damp location rated when used with optional all-weather composite blade set (BPW21CF).

Available Finishes

Model	Fan Finish	Blade Finish	Glass
HF6600BZ	Bronze	Coffee	Stone
HF6600DS	Dark Smoke	Slate	Opal
HF6600MH	Mahogany	Coffee	Stone

Airflow / Energy Efficiency Info (120V)

Fan Speed	Max RPM	CFM	CFM / Watts	Amps	Watts
High	163	5784	81	0.61	72
Med	102	3470	109	0.39	32
Low	64	2052	136	0.26	15

All Hubbardton Forge designs, the mark HUBBARDTON FORGE and the design of the tongs are trademarks or registered trademarks of Hubbardton Forge Corporation.

HUBBARDTON FORGE®

FANIMATION®