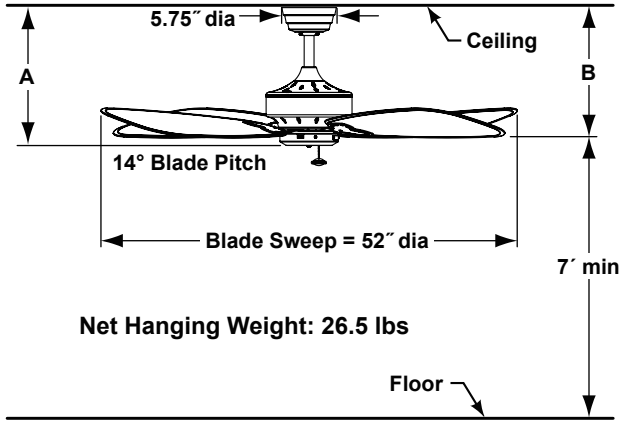


**WINDPOINTE® SERIES**

**FP7410\*\*  
4 Wood Blade Model**



	A	B
Fan w/6" downrod	14.50"	14.00"
Fan w/12" downrod	20.50"	20.00"
Fan w/18" downrod	26.50"	26.00"
Fan w/24" downrod	32.50"	32.00"
Fan w/36" downrod	44.50"	44.00"
Fan w/48" downrod	56.50"	56.00"
Fan w/60" downrod	68.50"	68.00"
Fan w/72" downrod	80.50"	80.00"

Available Finish	
AB	Antique Brass
OB	Oil-rubbed bronze

**INSTALLATION REQUIREMENTS:**

Fan must be attached to a securely anchored electrical junction box capable of withstanding a load of at least 50 lbs.

**ELECTRICAL REQUIREMENTS:**

Requires a grounded electrical supply line of 120 volts AC, 60 Hz, 15 amp circuit.

**MOTOR SPECS:**

188 x 25 motor is designed for optimal performance with this fan. FP7410OB is Energy Star Rated.

**BLADES:**

A set of four wood blades is included.

**CONTROL OPTIONS:**

Optional CW1, CW1SW, CW2, CW5 and CWRL4 wall controls and CRL4WH and CRL8TS remote controls with receiver unit are available—sold separately. Instructions are provided with each control.

**LIGHTING OPTIONS:**

Optional lighting fitters and light kits are available. See our catalog or visit [www.fanimation.com](http://www.fanimation.com) for lighting options.

**DOWNROD OPTIONS:**

Fan comes with a 1" dia. x 6" long downrod (DR1-6). Optional downrods are available in 12", 18", 24", 36", 48", 60" and 72" lengths. Fan can be mounted on a sloped ceiling up to 30°. Most sloped ceiling installations require a downrod longer than the standard 6" downrod. Optional sloped ceiling ball kits (SCB1-52) are available for up to 52°. Optional close-to-ceiling kit is available as well-sold separately. Call technical support for more information.

**LOCATION USE:**

Fans are rated for dry locations only.

FP7410OB Airflow / Energy Efficiency Info (120V)					
Fan Speed	Max RPM	CFM	CFM / Watts	Amps	Watts
High	170	5129	104	0.42	49
Med	131	3867	124	0.34	31
Low	79	2257	165	0.22	14

FP7410AB Airflow / Energy Efficiency Info (120V)					
Fan Speed	Max RPM	CFM	CFM / Watts	Amps	Watts
High	145	4240	86	0.42	50
Med	110	3101	100	0.34	31
Low	67	1733	127	0.22	14