

THE LOUVRE®

FP1320 Series

LOUVRE® Fan
shown with
Standard Blade Holders



LOUVRE® Fan
shown with
Optional
Wood Blade Holders



SPECIFICATION SHEET



INSTALLATION REQUIREMENTS

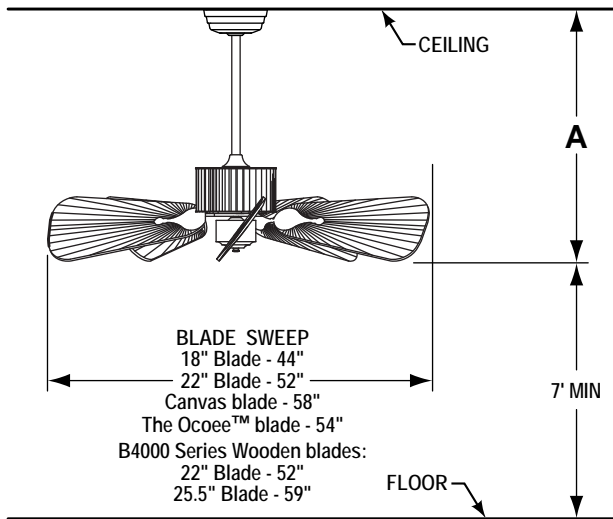
Ceiling fan attaches to electrical junction box securely anchored and capable of withstanding a load of at least 50 lbs.

ELECTRICAL REQUIREMENTS

Ceiling fan requires a grounded electrical supply line of 120 volts AC, 60 Hz, 15 amp circuit. 220 VAC, 50 Hz export version available (Antique Brass, Galvanized, and Rust only).

Specifications subject to change

The Louvre® Fan Assembly



Fan Assembly	A
Fan w/6" down rod	15"
Fan w/12" down rod	21"
Fan w/18" down rod	27"
Fan w/24" down rod	33"
Fan w/36" down rod	45"
Fan w/48" down rod	57"
Fan w/60" down rod	69"
Fan w/72" down rod	81"

Finishes	
AB	Antique Brass
BL	Black (Damp)
GZ	Galvanized (Damp)
MW	Matte White (Damp)
PW	Pewter
RS	Rust (Damp)
SN	Satin Nickel
WH	White (Damp)

Dimensions shown in inches

Damp Location on select finishes

DOWN ROD OPTIONS:

The Louvre® fan comes with a standard 6" down rod. Optional down rods are available in 12", 18", 24", 36", 48", 60", and 72". For installations requiring a longer down rod, a down rod coupler is available. The Louvre® can be mounted on a sloped ceiling up to 30°. Optional sloped ceiling kits are available for up to 52°.

LIGHTING OPTIONS:

Optional lighting fitters and light kits are available, including a single bowl fixture with a maximum of 180 watts and a variety of four-light fixtures with a maximum of 240 watts. See Catalog or visit our website, www.fanimation.com for more lighting options.

CONTROL OPTIONS:

Optional remote and wall controls are available. See Catalog or visit our website, www.fanimation.com for more control options.

MOTOR:

120 Volts, 60 Hz, 0.90 amps. **Fan speeds:** will vary according to the blade set. Material, shape, and size of fan blade will affect the speed of the fan. In general, the larger blades (22") will turn slower than the smaller blades (18") and the narrower blades (narrow oval & oar shaped) will turn faster than the wide blades (wide oval). For comparison the ISP1 blade set (22" wide oval palm blade set) turns at approximately the following speeds: 1st Pull-High-70 rpm, 2nd Pull-Medium-50 rpm, 3rd Pull-Low-25 rpm. The ISD4 (22" narrow oval woven bamboo) turns at approximately the following speeds: 1st Pull-High-103 rpm, 2nd Pull-Medium-73 rpm, 3rd Pull-Low-33 rpm. (All speeds listed are approximate and are given for comparison only)

BLADE SETS:

Blade sets consist of either 4 blades or 5 blades depending on blade style. Mounting only four is an option and will also increase speed and airflow. See Catalog or visit our website, www.fanimation.com for more blade selections.



10983 Bennett Parkway
 Zionsville, IN 46077
 (888) 567-2055
 FAX (866) 482-5215

Outside U.S. call (317) 733-4113

Visit Our Website www.fanimation.com