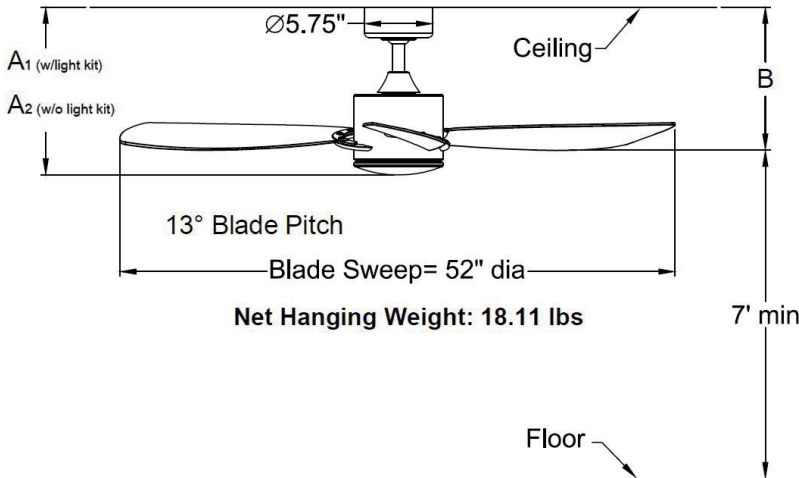


**SculptAire™**

**FP8511\*\*  
Ceiling Fan**



	A1	A2	B
Fan w/4.5" downrod	13.88"	13.88"	11.83"
Fan w/12" downrod	21.38"	21.38"	19.33"
Fan w/18" downrod	27.38"	27.38"	25.33"
Fan w/24" downrod	33.38"	33.38"	31.33"
Fan w/36" downrod	45.38"	45.38"	43.33"
Fan w/48" downrod	57.38"	57.38"	55.33"
Fan w/60" downrod	69.38"	69.38"	67.33"
Fan w/72" downrod	81.38"	81.38"	79.33"

Available Finish	
BL	Black with Clear Blade
CH	Chrome with Clear Blade
BS	Brushed Satin Brass with Clear Blade

**INSTALLATION REQUIREMENTS:**

Fan must be attached to a securely anchored electrical junction box capable of withstanding a load of at least 35 lbs.

**ELECTRICAL REQUIREMENTS:**

Requires a grounded electrical supply line of 120 volts AC, 60 Hz, 15 amp circuit.

**MOTOR SPECS:**

153 x 20 AC motor is designed for optimal performance with this fan.

**BLADES:**

A set of three 24" composite blades is included.

**LIGHTING OPTIONS:**

One 18-watt LED included.

**CONTROL OPTIONS:**

TR500 hand-held remote control is included. Push button remote control with variable fan speeds, infinite light levels and off button. Optional CWRL4\*\*, WC2WH and WR501WH wall controls, BTR9, CRL4WH hand held remote controls, BTR9 receiver unit and WFR50 WiFi receiver unit are available —sold separately. Instructions are provided with each control.

**DOWNROD OPTIONS:**

Fan comes with 1" dia. x 4.5" long downrod (DR1-45). Optional downrods available in 12", 18", 24", 36", 48", 60", and 72" lengths. A downrod coupler is available for installations requiring a downrod longer than 72". Fan can be mounted on a sloped ceiling up to 27°. Most sloped ceiling installations require a downrod longer than the standard 4.5" downrod. Optional sloped ceiling ball kits (SCB1-52) are available for slope angles greater than 27° and up to 42°. Optional close-to-ceiling kit is available as well—sold separately. Call technical support for more information.

**LOCATION USE:**

CH and BS Fan are rated for dry locations.  
BL Fan is rated for damp locations.

Airflow / Energy Efficiency Info (120V)					
Fan Speed	Max RPM	CFM	CFM / Watts	Amps	Watts
High	130	4663	80	0.48	58
Med	93	3276	105	0.35	31
Low	56	1980	147	0.23	14

Energy Guide FTC			
Power (W <sub>ave</sub> )	Total Air Delivery (CFM <sub>ave</sub> )	Estimated Yearly Energy Cost (\$)	Ceiling Fan Efficiency (CFM/W)
38	3868	11	101

Light Bulb Information (120V)				
Bulb Type	Watts	Lumens Amount	Color Temp	CRI
LED	18	1500	3000	90%