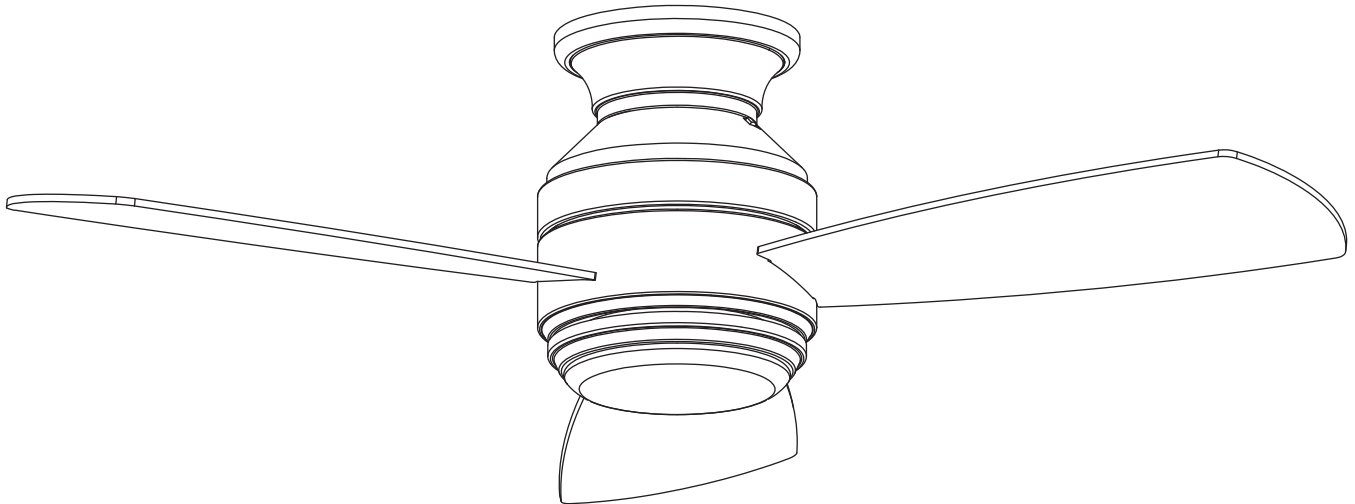




LEVEL™ SNUGGER CEILING FAN

MODEL #LP8347B**

Español p. 16



**ATTACH YOUR RECEIPT HERE AND REGISTER YOUR FAN AT FANIMATION.COM
READ AND SAVE THESE INSTRUCTIONS**

Serial Number _____ Purchase Date _____ Net Weight 14.88 lbs (6.75kg)



Questions, problems, missing parts? Before returning to your retailer, call our customer service department at 1-888-567-2055, 8 a.m.-5 p.m., EST, Monday-Friday.

Important Safety Instructions

WARNING: To avoid fire, shock and serious personal injury, follow these instructions.

1. Read your owner's manual and safety information before installing your new fan. Review the accompanying assembly diagrams.
2. Before servicing or cleaning unit, switch power off at service panel and lock service panel disconnecting means to prevent power from being switched on accidentally. When the service disconnecting means cannot be locked, securely fasten a warning device, such as a tag, to the service panel.
3. Be careful of the fan and blades when cleaning, painting, or working near the fan. Always turn off the power to the ceiling fan before servicing.
4. Do not insert anything into the fan blades while the fan is operating.
5. Do not operate reversing switch until fan blades have come to a complete stop.
6. The appliance is not intended for use by young children or infirm persons without supervision. Young children should be supervised to ensure that they do not play with the appliance.

Additional Safety Instructions

1. To avoid possible shock, be sure electricity is turned off at the fuse box before wiring, and do not operate fan without blades.
2. All wiring and installation procedures must satisfy National Electrical Codes (ANSI/ NFPA 70) and Local Codes. The ceiling fan must be grounded as a precaution against possible electrical shock. Electrical installation should be made or approved by a licensed electrician.
3. The fan base must be securely mounted and capable of reliably supporting at least 35 lbs. See page 5 of owner's manual for support requirements. Consult a qualified electrician if in doubt.
4. The fan must be mounted with the fan blades at least 7 feet from the floor to prevent accidental contact with the fan blades.
5. Follow the recommended instructions for the proper method of wiring your ceiling fan. If you do not have adequate electrical knowledge or experience, have your fan installed by licensed electrician.
6. This fan is to be used in dry locations.
7. For supply connections, if the conductor of a fan is identified as a grounded conductor, then it should be connected to a grounded conductor power supply. If the conductor of a fan is identified as an ungrounded conductor, then it should be connected to an ungrounded conductor power supply. If the conductor of a fan is identified for equipment grounding, then it should be connected to an equipment grounding conductor.

WARNING: TO REDUCE THE RISK OF SHOCK, THIS FAN MUST BE INSTALLED WITH A GENERAL USE ISOLATING WALL CONTROL/SWITCH.

WARNING: This product is designed to use only those parts supplied with this product and/or accessories designated specifically for use with this product. Using parts and/or accessories not designated for use with this product could result in personal injury or property damage.

WARNING: To reduce the risk of personal injury, do not bend the blade bracket (flange or blade holder) when installing the brackets, balancing the blades, or cleaning the fan. Do not insert foreign objects in between rotating fan blades.

LIMITED LIFETIME WARRANTY

Extends to the original purchaser of a Fanimation Fan

1. LIMITED LIFETIME MOTOR WARRANTY - If any part of your fan motor fails, due to a defect in materials or workmanship during the lifetime of the original purchaser, Fanimation will provide the replacement part free of charge, when the defective fan is returned to our national service center. Proof of purchase is required. Customer shall be responsible for all costs incurred in the removal or reinstallation and shipping of the product for repairs or replacement.
2. ONE YEAR MOTOR LABOR WARRANTY - If your fan motor fails at any time within one year from the original purchase, due to defects in materials or workmanship, labor to repair the motor will be provided free of charge at our national service center. Purchaser will be responsible for labor charges after this one-year period. Customer shall be responsible for all costs incurred in the removal or reinstallation and shipping of the product for repairs or replacement.
3. If any other part of your fan fails at any time within one year after original purchase, due to a defect in materials or workmanship, we will repair, or replace, at our option, the defective part free of charge for parts and labor performed at our national service center.
4. Because of varying climate conditions, this warranty does not cover changes in the finish, including rusting, pitting, corroding, tarnishing, or peeling.
5. This warranty is void and does not apply to damage from improper installation, neglect, accident, misuse, exposure to extremes of heat or humidity, or as a result of any modification to the original product.
6. All costs of removal and reinstallation of the fan are the sole responsibility of the owner of the fan and not the store that sold the fan or Fanimation.
7. Fanimation reserves the right to modify or discontinue any product at any time and may substitute any part under this warranty.
8. Under no circumstances may a fan be returned without prior authorization from Fanimation. The receipt of purchase must accompany authorized returns and must be sent freight prepaid to Fanimation. The fan to be returned must be properly packed to avoid damage in transit; Fanimation will not be responsible for any damage resulting from improper packaging.
9. It is understood that any repair or replacement is the exclusive remedy available from Fanimation. There is no other expressed or implied warranty. Fanimation hereby disclaims any and all implied warranties, including, but not limited to those of merchantability and fitness for a particular purpose to the extent permitted by law. Some states do not allow limitations on implied warranties. Fanimation will not be liable for incidental, consequential, or special damages arising out of or in conjunction with product use or performance, except as may otherwise be accorded by law. This warranty gives you special legal rights and you may also have other rights that vary from state to state.
10. A certain amount of wobble is normal and should not be considered a problem or a defect.

Table of Contents

Unpacking Instructions	3	How to Assemble Your Light Kit Assembly or Cap	9
Energy Efficient Use of Ceiling Fans	4	How to Operate Your Ceiling Fan	10
Electrical and Structural Requirements	4	How to Install Your Wall Control	11
How to Hang Your Ceiling Fan	6	Maintenance	11
How to Wire Your Ceiling Fan- Wall Control	7	How to Clean Your Ceiling Fan Blades.....	11
How to Wire Your Ceiling Fan	7	Trouble Shooting	12
How to Assemble Your Ceiling Fan	8	Parts List	13
How to Assemble Your Ceiling Fan Blades	8	Exploded-View Illustration	14

This manual is designed to make it as easy as possible for you to assemble, install, operate, and maintain your ceiling fan

Tools Needed for Assembly

- One Phillips head screwdriver
- One wire stripper
- One stepladder
- Four wire connectors (supplied)
- One ¼" blade screwdriver

Materials

Wiring outlet box and box connectors must be of type required by local code. The minimum wire would be a 3-conductor (2-wire with ground) of the following size:

Installed Wire Length	Wire Size A.W.G.
Up to 50 ft.	14
50 - 100 ft.	12

NOTE: Place the parts from the loose parts bags in a small container to keep them from being lost. If any parts are missing, contact your local retailer.

⚠ WARNING

Before assembling your ceiling fan, refer to section on proper method of wiring your fan (page 7). If you feel you do not have enough wiring knowledge or experience, have your fan installed by a licensed electrician.

Unpacking Instructions

For your convenience, check-off each step. As each step is completed, place a check mark. This will ensure that all steps have been completed and will be helpful in finding your place should you be interrupted.

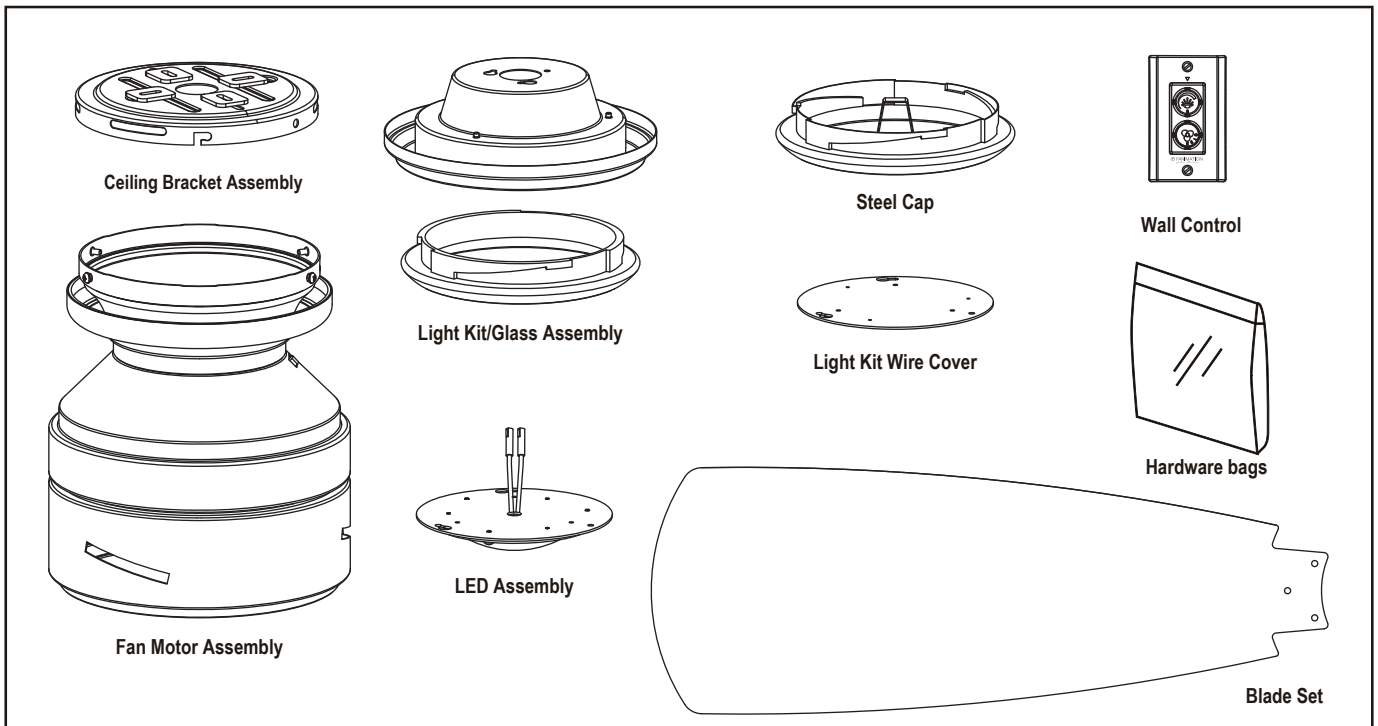
⚠ WARNING

Do not install or use fan if any part is damaged or missing. This product is designed to use only those parts supplied with this product and/or any accessories designated specifically for use with this product by Fanimation. Substitution of parts or accessories not designated for use with this product by Fanimation could result in personal injury or property damage. Contact your retail store for missing or damaged parts.

- Ceiling Bracket Assembly
- Fan Motor Assembly
- Light Kit/Glass Assembly
- LED Assembly
- Light Kit Wire Cover
- Steel Cap
- Blade Set
- Wall Control
- Hardware bags:
 - Ten #8-32 Washer Head screws
 - Ten Fiber Washer
 - Four Wire Connectors

1. Check to see that you have received the following parts:

NOTE: If you are uncertain of part description, refer to exploded view illustration. (Figure 1, page 14)



Energy Efficient Use of Ceiling Fans

Ceiling fan performance and energy savings rely heavily on the proper installation and use of the ceiling fan. Here are a few tips to ensure efficient product performance.

Choosing the Appropriate Mounting Location

Ceiling fans should be installed, or mounted, in the middle of the room and at least 7 feet above the floor and 18 inches from the walls. If ceiling height allows, install the fan 8 - 9 feet above the floor for optimal airflow. Consult your Fanimation Retailer for optional mounting accessories.

Turn Off When Not in the Room

Ceiling fans cool people, not rooms. If the room is unoccupied, turn off the ceiling fan to save energy.

Using the Ceiling Fan Year Round

Summer Season: Use the ceiling fan in the counter-clockwise direction. The airflow produced by the ceiling fan creates a wind-chill effect, making you “feel” cooler. Select a fan speed that provides a comfortable breeze, lower speeds consume less energy.

Winter Season: Reverse the motor and operate the ceiling fan at low speed in the clockwise direction. This produces a gentle updraft, which forces warm air near the ceiling down into the occupied space. Remember to adjust your thermostat when using your ceiling fan - additional energy and dollar savings could be realized with this simple step!

Electrical and Structural Requirements

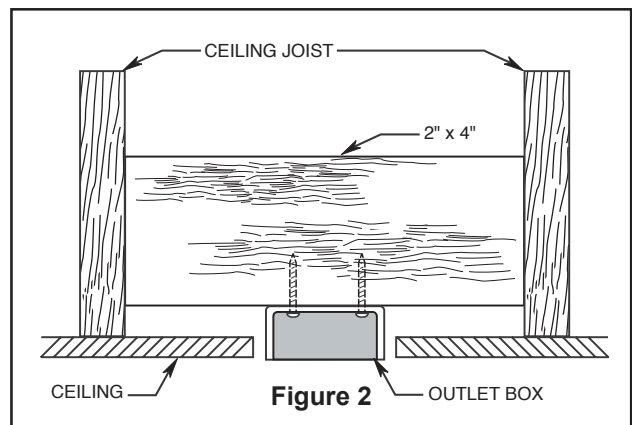
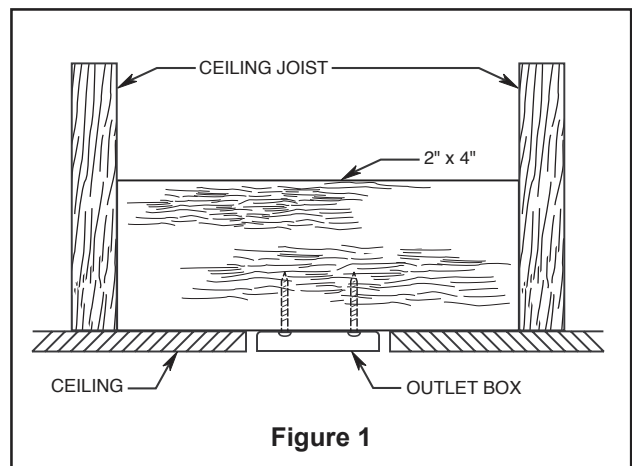
Your new ceiling fan will require a grounded electrical supply line of 120 volts AC, 60 HZ, 15 Amp Circuit. Electrical code requires use of a fan-rated outlet box to support the extra weight and motion associated with a ceiling fan. A fan-rated box will be labeled as such and typically supports up to a 70lb ceiling fan. Fan-Rated Outlet Boxes vary in ratings and design. Ensure the ratings of your ceiling fan outlet box meet the requirements for the ceiling fan being installed. Figure 1, Figure 2 and Figure 3 depicts different structural configurations that may be used for mounting the outlet box.

Low profile box (Figure 1)

A 1/2-in.-deep pancake box is meant to be screwed to a joist or block. It's used if only one cable is coming into the box. It is also available in a saddle-mount configuration.

Deep box (Figure 2)

A 2-1/4-in.-deep box can be attached to blocking between joists and is roomy enough to handle more than one cable.



Electrical and Structural Requirements (Continued)

Deep box with brace (Figure 3)

Paired with a deep box, this hanger is meant to span between two joists and takes the place of wooden blocking.

⚠ WARNING

To reduce the risk of fire, electric shock, or personal injury, mount to outlet box marked acceptable for fan support of 15.9 kg (35 lbs) or less and use mounting screws provided with the outlet box. Most outlet boxes commonly used for the support of luminaires are not acceptable for fan support and may need to be replaced, consult a qualified electrician if in doubt.

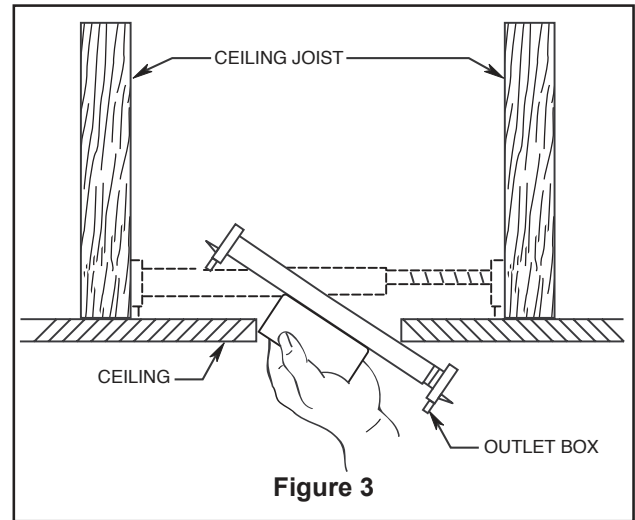
If your fan is to replace an existing light fixture, turn electricity off at the main fuse box at this time and remove the existing light fixture.

⚠ WARNING

Turning off wall switch is not sufficient. To avoid possible electrical shock, be sure electricity is turned off at the main fuse box before wiring. All wiring must be in accordance with National and Local codes and the ceiling fan must be properly grounded as a precaution against possible electrical shock.

⚠ WARNING

To avoid fire or shock, follow all wiring instructions carefully. Any electrical work not described in these instructions should be done or approved by a licensed electrician.



How to Hang Your Ceiling Fan

⚠ WARNING

The fan must be hung with at least 7' of clearance from floor to blades. (Figure 1)

⚠ WARNING

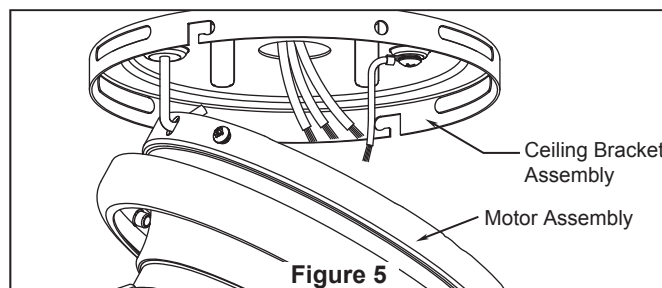
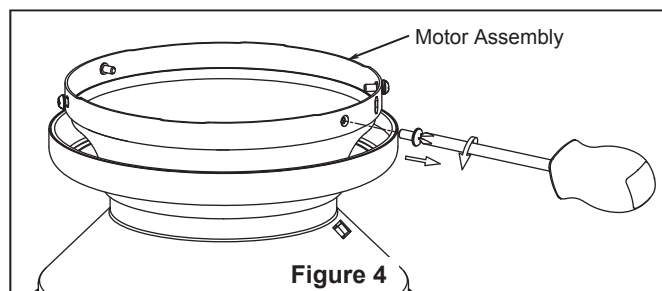
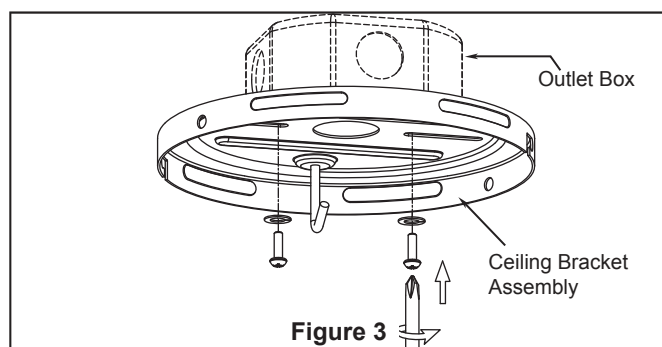
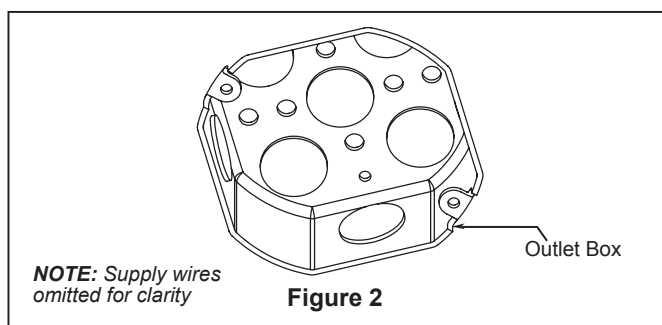
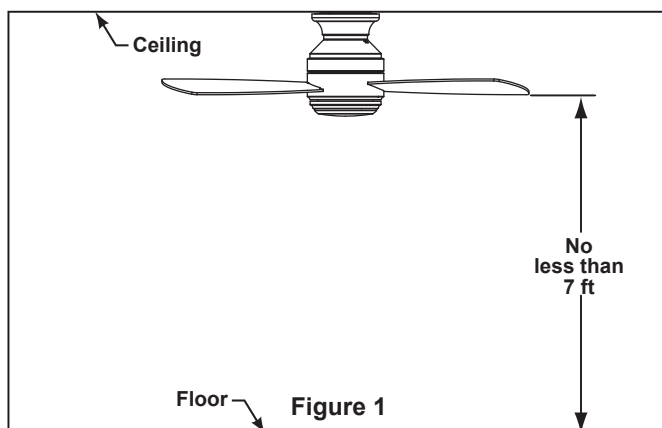
To avoid possible electrical shock, be sure electricity is turned off at the main fuse box before hanging.

NOTE: If you are not sure if the outlet box is grounded, contact a licensed electrician for advice, as it must be grounded for safe operation.

⚠ WARNING

The outlet box must be securely anchored and capable of withstanding a load of at least 35 lbs. Hanger bracket must seat firmly against outlet box. If the outlet box is recessed, remove wallboard until bracket contacts box. If bracket and/or outlet box are not securely attached, the fan could wobble or fall.

1. Securely attach the outlet box **acceptable for ceiling fan support** into the building structure. Outlet box is not supplied with the fan. (Figure 2)
2. Using the outlet box screws provided with the outlet box, securely attach the ceiling bracket to the outlet box as shown. (Figure 3)
3. Remove and retain two opposing screws from the motor assembly, then loosen the remaining two screws. (Figure 4)
4. Hang the motor assembly from the hook on the ceiling bracket assembly as shown. (Figure 5) You can now proceed with the electrical wiring of your fan.



How to Wire Your Ceiling Fan - Wall Control

If you feel that you do not have enough electrical wiring knowledge or experience, have your fan installed by a licensed electrician.

⚠ WARNING

To avoid possible electrical shock, be sure electricity is turned off at the main fuse box before wiring (Figure 1).

NOTE: If you are not sure if the outlet box is grounded, contact a licensed electrician for advice, as it must be grounded for safe operation.

⚠ WARNING

To avoid possible electrical shock, be sure electricity is turned off at the main fuse box before wiring.

NOTE: If you are not sure if the outlet box is grounded, contact a licensed electrician for advice, as it must be grounded for safe operation.

1. Disconnect the power and remove the existing wall plate and switch.
2. Set the knob and light switch of the wall-mounted control in the off (0) position.
3. Make wire connections and secure with wire nuts supplied. (Figure 2)
 - Connect the Black wire (AC IN L) from the wall-mounted control with the wire from the A. C. power supply.
 - Connect the Black wire (To Motor L) from the wall-mounted control with the Black wire from the ceiling fan.
 - Connect the White wire from the ceiling fan to the A. C. power supply.
 - Connect the Blue wire (To Light) from the wall-mounted control with the Blue wire from the ceiling fan.
 - Connect the green/yellow wire from the wall-mounted control with ceiling fan and ground wire from the A. C. power supply.

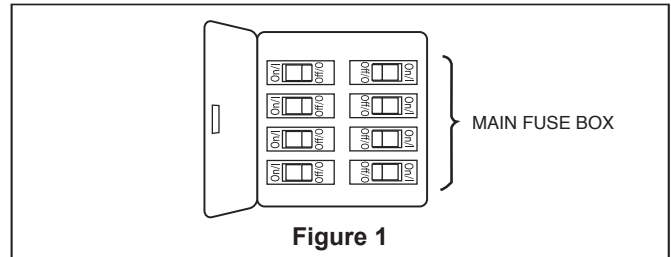


Figure 1

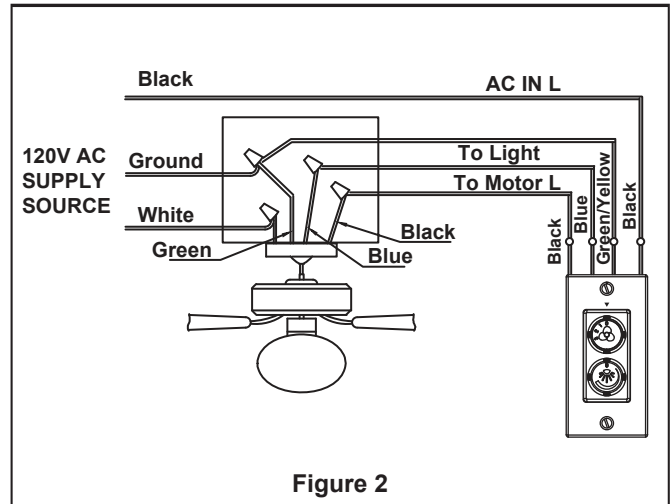


Figure 2

NOTE: Please set all knobs on the fan/light control in the off (0) position before wiring.

⚠ WARNING

Check to see that all connections are tight, including ground, and that no bare wire is visible at the wire connectors, except for the ground wire. Do not operate fan unless blades are in place. Noise and fan damage could result.

How to Wire Your Ceiling Fan

1. Connect the green grounding lead from the ceiling bracket to the supply grounding, from motor and from wall control conductor (this may be a bare wire or wire with green colored insulation). Securely connect wires with a wire connector. Securely connect the white wire (coming from motor) to the white supply (neutral) wire using a wire connector. Securely connect the black wire (coming from motor) to the black wire from wall control using a wire connector. Securely connect the blue wire (coming from motor) to the blue wire from wall control using a wire connector. (Figure 1)
2. After splicing and making the wire connections, the wires should be spread apart and turned upward with the grounded conductor and the equipment-grounding conductor on one side of the ceiling bracket and the ungrounded conductor on the other side of the ceiling bracket. (Figure 1)

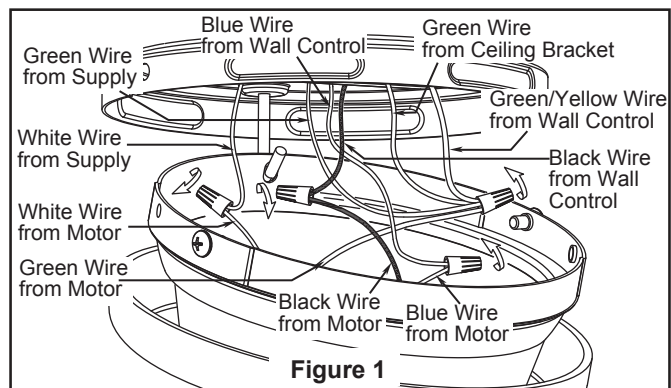


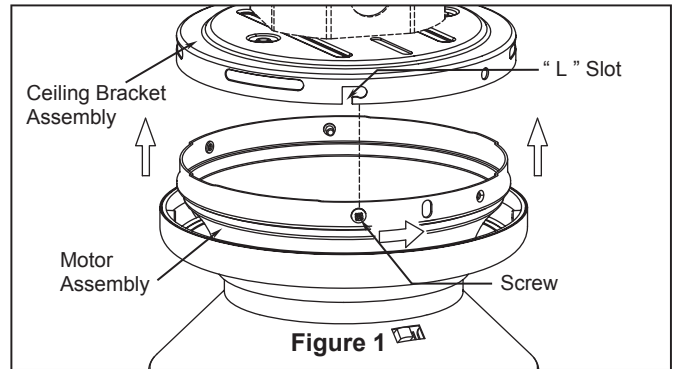
Figure 1

HARDWARE USED:

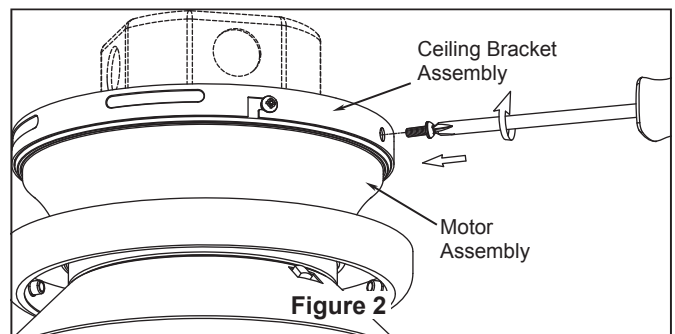
WIRE CONNECTORS  x 4

How to Assemble Your Ceiling Fan

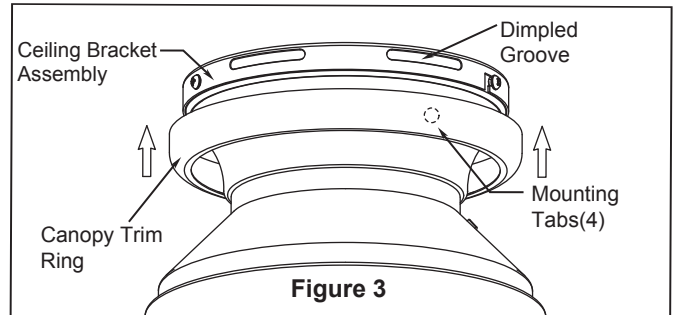
1. Mount your fan by sliding the motor assembly over the mounting bracket with the two loosened screws going into the "L" slots in the ceiling bracket. Be sure all wiring is tucked into the motor housing and is not pinched. Once the motor assembly is flush with your ceiling, turn clockwise to seat the screws into the keyed portion of the slot. Tighten the screws. (Figure 1)



2. Assemble the motor assembly to ceiling bracket using the previously removed screws and securely tighten all screws. (Figure 2)



3. Please remove the flexible bushing prior to pushing the canopy trim ring up. Push the canopy trim ring up to conceal the screws, such that the mounting tabs seat into the dimpled grooves in the ceiling bracket midway between the screws. (Figure 3)



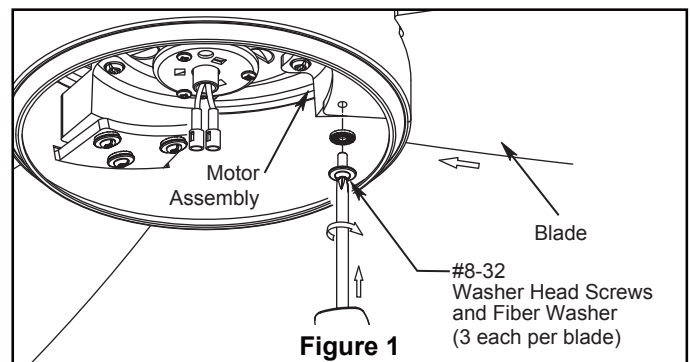
How to Assemble the Ceiling Fan Blades

1. Slide blades through slots in motor housing and attach to the motor hub using the #8-32 washer head screws and fiber washers. Make sure the screws securing the blades to the motor hub are tight and are properly seated. (Figure 1)

NOTE: Periodically check blade hardware and resecure if necessary.

CAUTION

Do not connect fan blades until the fan is completely installed. Installing the fan with blades assembled may result in damage to the fan blades.



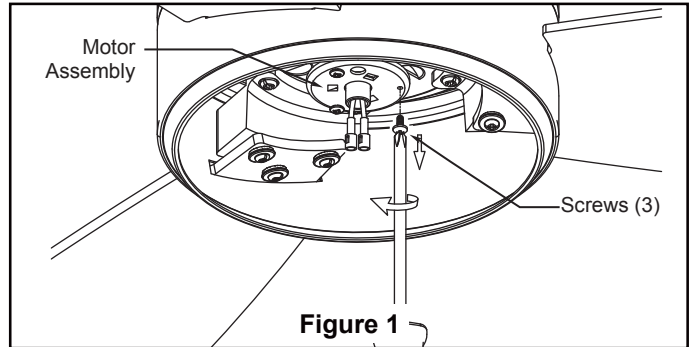
HARDWARE USED:

#8-32 WASHER HEAD SCREWS x 9

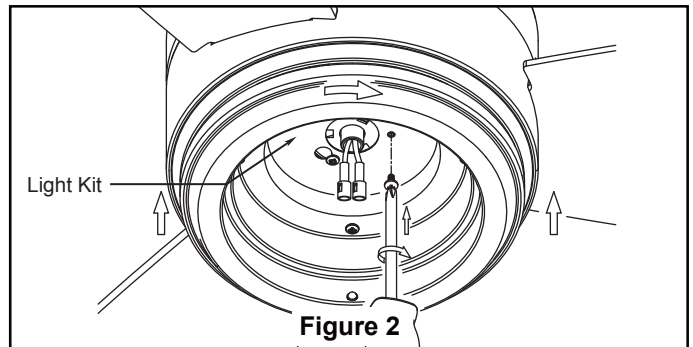
FIBER WASHER x 9

How to Assemble the Light Kit Assembly or Cap

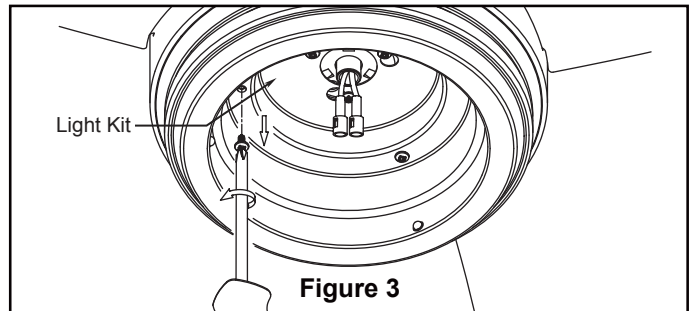
- 1. Remove one of the three screws in the support bracket at the bottom of the motor assembly. Retain the screw for later and slightly loosen the remaining two screws. (Figure 1)



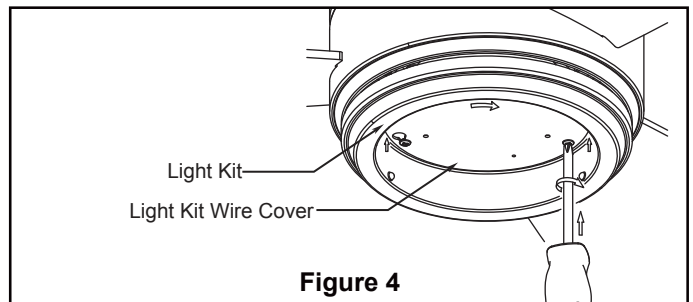
- 2. Assemble the light kit to the support bracket using the two key slots in the light kit. Replace the previously removed screw and securely tighten all three screws. (Figure 2)



- 3. Remove one of the three screws in the light kit. Retain the screw for later and slightly loosen the remaining two screws. (Figure 3)



- 4. If installing the light kit, skip this step. Assemble the light kit wire cover to the light kit using the two key slots. Replace the removed screw and secure all three screws. (Figure 4)

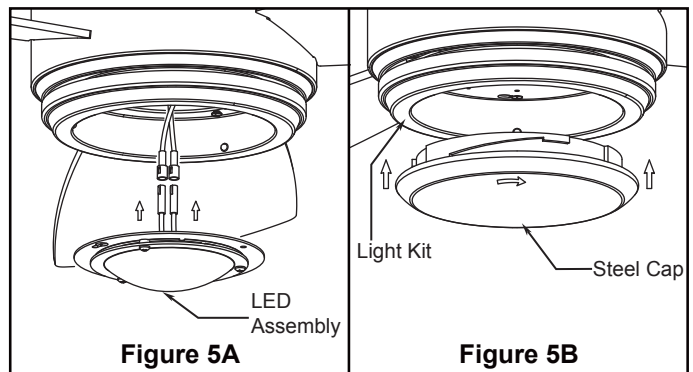


- 5A. For use with light kit. Connect the 2 single pin connectors from the LED assembly to the 2 single pin connectors from motor assembly. (Figure 5A)

CAUTION
To reduce the risk of electric shock, disconnect the electrical supply circuit to the fan before installing light kit.

- 5B. For use with steel cap. If you want to install the steel cap and not the light kit. Assemble the steel cap to the light kit by twisting in a clockwise direction. (Figure 5B)

NOTE: If you have installed your fan with the steel cap, skip Steps 6 and 7.



How to Assemble the Light Kit Assembly or Cap (continued)

6. Assemble the LED assembly to the light kit using the two key slots. Replace the removed screw from Step 3 and secure all three screws. (Figure 6)

CAUTION

The light source is designed for this specific application and can overheat if serviced by untrained personnel. If any servicing is required, the product should be returned to an authorized service facility for examination or repair.

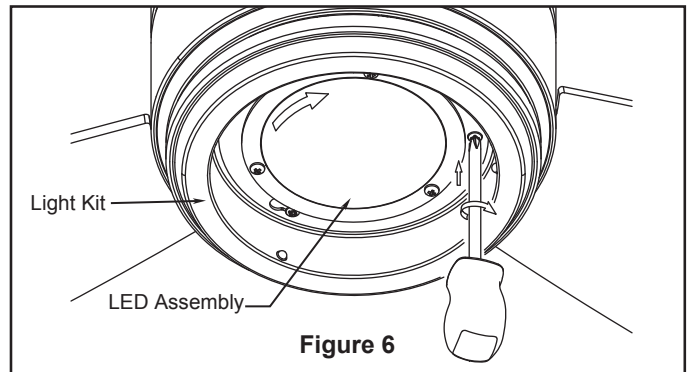


Figure 6

7. Secure the glass to light plate assembly by twisting in a clockwise direction. Do not over-tighten. (Figure 7)

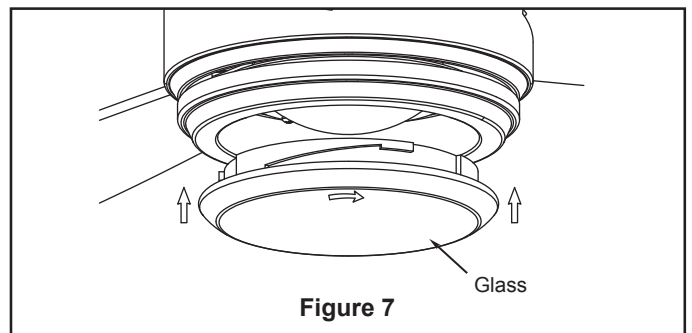


Figure 7

How to Operate Your Ceiling Fan

1. Restore electrical power to the outlet box by turning the electricity on at the main fuse box. (Figure 1)

WARNING

Check to see that all connections are tight, including ground, and that no bare wire is visible at the wire connectors, except for the ground wire. Do not operate fan until the blades are in place. Noise and fan damage could result.

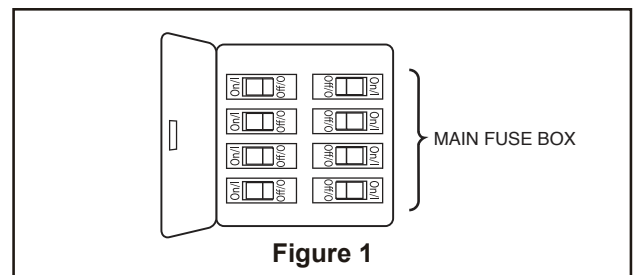


Figure 1

2. Wall control functions: (Figure 2)

• Fan Speed Switch:



- 0: Power Off
- 1: Low Speed
- 2: Medium Speed
- 3: High Speed

• Light Switch:



- 0: POWER OFF,
- Turn switch counterclockwise to increase light and clockwise to dim it.

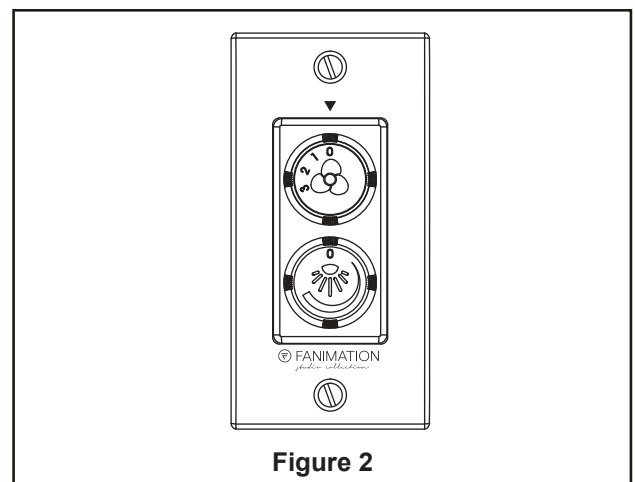
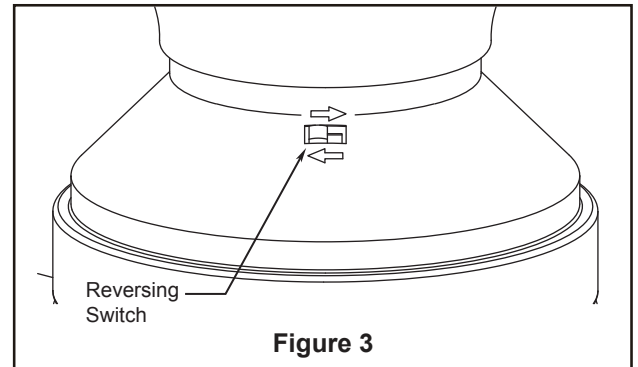


Figure 2

How to Operate Your Ceiling Fan (continued)

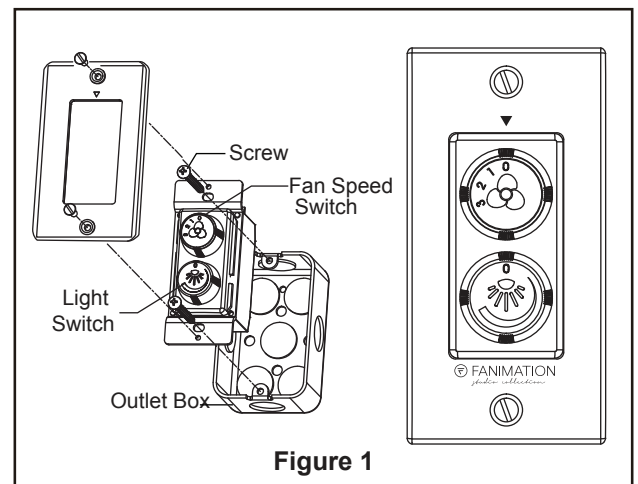
3. If airflow is desired in the opposite direction, turn the fan off and wait for the blades to stop turning. Then slide the reverse switch on top of motor assembly to the opposite position and turn fan on again. (Figure 3)

Reverse Switch Information		
Season	Rotation Direction	Switch Position
Summer	Counterclockwise	Left
Winter	Clockwise	Right



How to Install Your Wall Control

1. Carefully push all connected wires inside wall switch box. Secure the wall-mounted control to the outlet box with two screws provided. Then, the face plate attaches to the wall control with two painted screws. (Figure 1)



Maintenance

Periodic cleaning of your new ceiling fan is the only maintenance that is needed. When cleaning, use only a soft brush or lint free cloth to avoid scratching the finish. Abrasive cleaning agents are not required and should be avoided to prevent damage to finish.

CAUTION

Do not use water when cleaning your ceiling fan. It could damage the motor or the finish and create the possibility of electrical shock.

How to Clean Your Ceiling Fan Blades

Periodic light dusting of the blades is recommended. A feather duster will work best.

Avoid using water, cleansers, or harsh rags, which can warp and ruin the finish.

Trouble Shooting

⚠ WARNING

For your own safety turn off power at fuse box or circuit breaker before trouble shooting your fan.

Trouble	Probable Cause	Suggested Remedy
1. FAN WILL NOT START	<ol style="list-style-type: none"> 1. Fuse or circuit breaker blown. 2. Loose power line connections to the fan, or loose switch wire connections in the switch housing. 3. Reversing switch in neutral position. 	<ol style="list-style-type: none"> 1. Check main and branch circuit fuses or circuit breakers. 2. Check line wire connections to fan and switch wire connections in the switch housings. <p>CAUTION: Make sure main power is turned off !</p> <ol style="list-style-type: none"> 3. Make sure reversing switch position is all the way to one side.
2. FAN SOUNDS NOISY	<ol style="list-style-type: none"> 1. Blades not attached to fan. 2. Loose screws in motor housing. 3. Wire connectors inside housing rattling. 4. Motor noise caused by solid state variable speed control. 	<ol style="list-style-type: none"> 1. Attach blades to fan before operating. 2. Check to make sure all screws in motor housing are snug (not over-tight). 3. Check to make sure wire connectors in motor housing are not rattling against each other or against the interior wall of the housing. <p>CAUTION: Make sure main power is turned off !</p> <ol style="list-style-type: none"> 4. Some fan motors are sensitive to signals from solid-state variable speed controls. Solid-state controls are not recommended, choose an alternative control method.
3. FAN WOBBLERS EXCESSIVELY	<ol style="list-style-type: none"> 1. Screws securing fan blade holders to motor hub are loose. 2. Hanger bracket and/or ceiling outlet box is not securely fastened. 	<ol style="list-style-type: none"> 1. Check to be sure screws which attach the fan blade holders to the flywheel are tight. 2. Tighten the hanger bracket screws to the outlet box, and secure outlet box.

Parts List

Model #LP8347B**

Ref. #	Description	Part #
1	Ceiling Bracket Assembly	AP834701BL
2	Fan Motor Assembly	AMA8347B**
3	Blade Set	AP834703**
4	Light Kit/Glass Assembly	AP834713**
5	LED Assembly	AP834710D3090
6	Light Kit Wire Cover	P834717NI
7	Steel Cap	AP834716**
8	Wall Control	CW60WH-8347B
9	<i>Hardware Bags Containing:</i>	HDWLP8347**
	Wire Connectors (4)	
	<i>Blade Mounting Hardware Bag Containing</i>	
	#8-32 Washer Head Screws (10)	
	Fiber Washers (10)	

Before discarding packaging materials, be certain all parts have been removed

How To Order Parts	
Contact your retail store for repair parts. When ordering repair parts, always give the following information.	<ul style="list-style-type: none"> • Part Number • Part Description • Fan Model Number

LP8347B**

Exploded-View Illustration

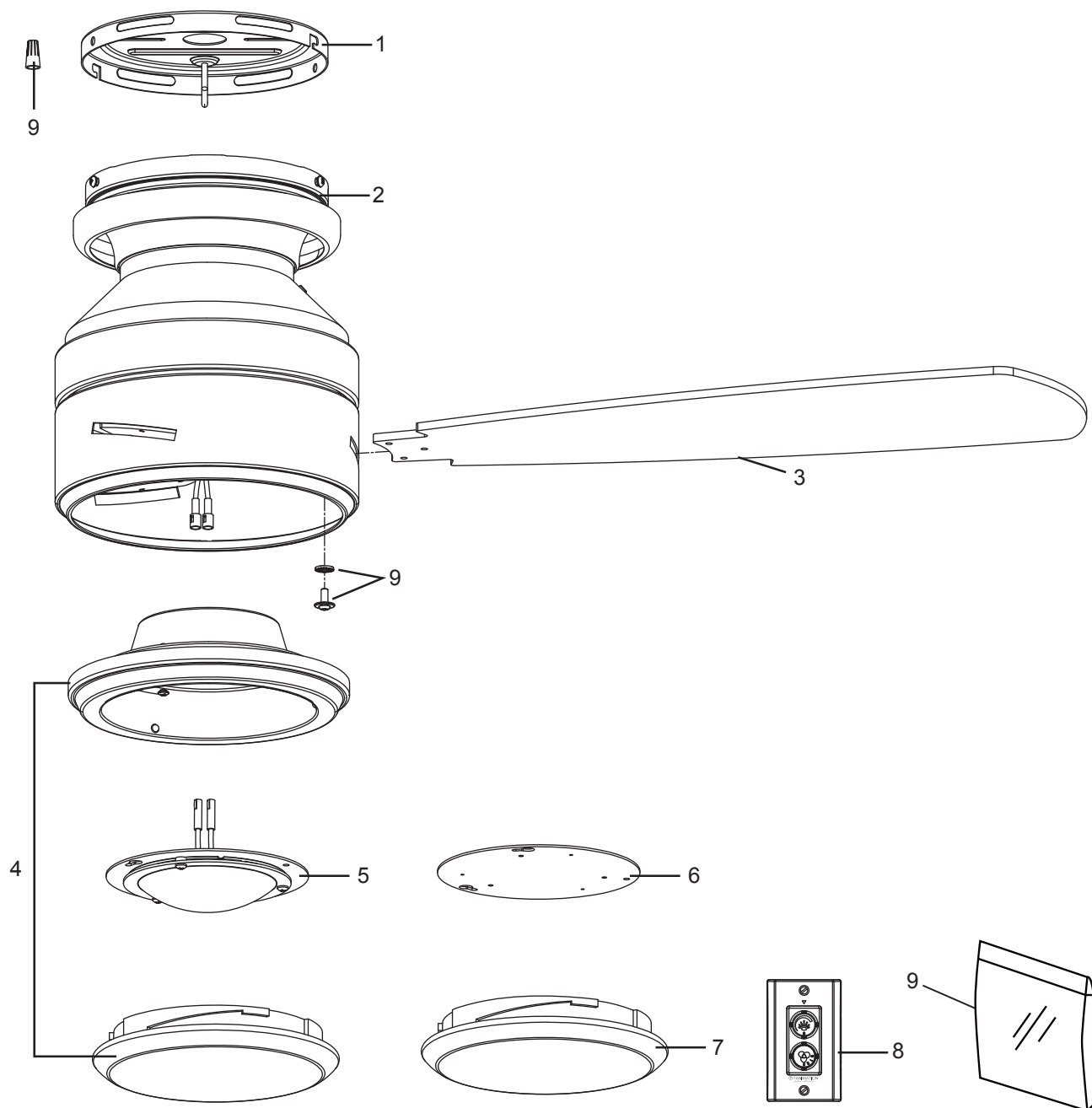


Figure 1

NOTE: The illustration shown is not to scale or its actual configuration or finishes may vary



10983 Bennett Parkway
Zionsville, IN 46077
Phone: 888-567-2055
Outside U.S.: 317-733-4113
FAX: 866-482-5215
www.fanimation.com

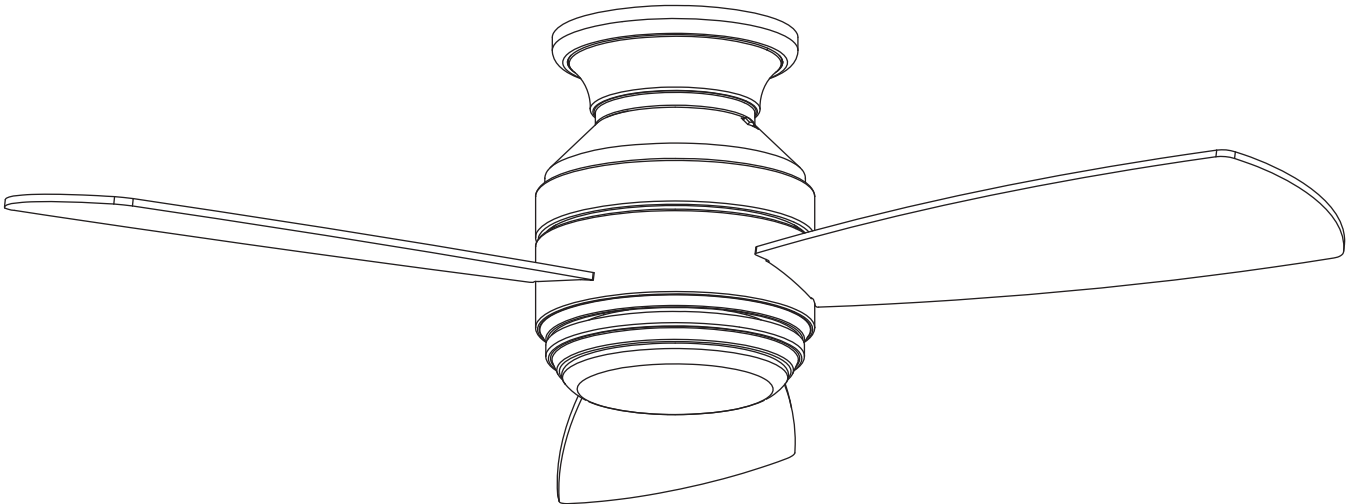
2019/01 V.01
Copyright 2019 Fanimation



FANIMATION
studio collection

VENTILADOR DE TECHO SNUGGER LEVEL™

MODELO #LP8347B**



**ADJUNTE SU RECIBO AQUÍ Y REGISTRE SU VENTILADOR EN FANIMATION.COM
LEA Y GUARDE ESTAS INSTRUCCIONES**

Número de serie _____ Fecha de compra _____ Peso neto 6.75kg (14.88 lbs)



Preguntas, problemas, piezas faltantes? Antes de volver a la tienda, llame a nuestro Departamento de Servicio al Cliente al 1-888-567-2055, 8 a.m. - 5 pm, hora del Este, de lunes - viernes.

Instrucciones de seguridad importantes

ADVERTENCIA: Siga estas instrucciones para prevenir incendios, descargas eléctricas y lesiones personales graves.

1. Lea el manual del propietario y la información de seguridad antes de instalar su nuevo ventilador. Observe los diagramas de ensamblaje adjuntos.
2. Antes de llevar a cabo el mantenimiento o la limpieza de la unidad, desconecte la electricidad en el panel de servicio y bloquee los medios de desconexión del mismo para evitar que se active accidentalmente. Si no se pueden bloquear los medios de desconexión del servicio, coloque un dispositivo de advertencia, como una etiqueta, en el panel de servicio.
3. Tenga cuidado con la estructura y las aspas del ventilador cuando limpie, pinte o trabaje cerca del mismo. Desconecte siempre la electricidad del ventilador de techo antes de llevar a cabo el mantenimiento.
4. No coloque nada en las aspas del ventilador cuando éste se encuentra en funcionamiento.
5. No accione el conmutador inversor hasta que las aspas del ventilador se hayan detenido por completo.
6. El dispositivo no ha sido diseñado para ser utilizado por niños o personas enfermas sin supervisión. Los niños deben ser supervisados para asegurarse de que no juegan con el dispositivo.

Instrucciones de seguridad adicionales

1. Para evitar posibles descargas eléctricas, asegúrese de que la electricidad esté desconectada en la caja de fusibles antes de realizar la instalación eléctrica, y no haga funcionar el ventilador sin las aspas.
2. Todos los procedimientos de conexión eléctrica e instalación deben cumplir con los Códigos eléctricos nacionales (ANSI/NFPA 70) y Códigos locales. El ventilador de techo debe estar conectado a tierra a fin de prevenir posibles descargas eléctricas. La instalación eléctrica debe ser llevada a cabo o aprobada por un electricista autorizado.
3. Se debe fijar bien la base del ventilador; ésta debe ser capaz de soportar sin problemas al menos 15,9 kg (35 lb). Consulte la página 20 del manual del propietario para ver los requisitos de soporte. Si tiene dudas, consulte a un electricista calificado.
4. Las aspas del ventilador deben instalarse por lo menos a 2,13 m (7 pies) del suelo, a fin de evitar un contacto accidental con las mismas.
5. Siga las recomendaciones sobre el método correcto de instalación eléctrica de su ventilador de techo. Si no posee la experiencia o los conocimientos eléctricos adecuados, contrate a un electricista autorizado para instalar el ventilador.
6. Este ventilador sólo es adecuado para secos.
7. En lo que respecta a las conexiones de suministro, si el conductor del ventilador está identificado como conductor con conexión a tierra, se le debe conectar a un suministro de electricidad con conductor de puesta a tierra. Si el conductor del ventilador está identificado como conductor que no es de puesta a tierra, se le debe conectar a un suministro de electricidad con conductor sin puesta a tierra. Si el conductor del ventilador está identificado para equipos de puesta a tierra, se le debe conectar al conductor de equipos de puesta a tierra.

ADVERTENCIA: PARA REDUCIR EL RIESGO DE DESCARGAS ELÉCTRICAS, ESTE VENTILADOR SE DEBE INSTALAR CON UN CONTROL/INTERRUPTOR DE PARED AISLADO.

ADVERTENCIA: Este producto está diseñado para ser usado sólo con las piezas suministradas o los accesorios indicados específicamente para el mismo. Si utiliza piezas o accesorios que no están indicados para su uso con este producto, podría sufrir lesiones personales o dañar el ventilador.

ADVERTENCIA: No utilice este ventilador con un controlador variable de pared (Rheostat) o un regulador de intensidad. Si lo hiciera podría dañar la unidad del mando a distancia del ventilador de techo.

GARANTÍA LIMITADA DE POR VIDA Se extiende al comprador original de un ventilador Fanimation

1. GARANTÍA LIMITADA DE POR VIDA DEL MOTOR - Si se produjera una falla en alguna de las partes del motor de su ventilador debido a un defecto en los materiales o en la fabricación durante el tiempo de vida del comprador original, Fanimation proporcionará la pieza de repuesto sin cargo una vez que el ventilador defectuoso sea devuelto a nuestro centro de servicios nacional. Se requiere comprobante de venta. El cliente se hará responsable de todos los gastos de remoción o reinstalación y envío del producto para reparaciones o sustitución.
2. GARANTÍA DE MANO DE OBRA DEL MOTOR POR UN AÑO - Si el motor de su ventilador fallara antes de cumplirse un año a partir del momento de su compra original debido a defectos en los materiales o en la fabricación, se le efectuará la reparación del mismo sin cargo en nuestro centro de servicios nacional. El comprador se hará responsable de los gastos de mano de obra luego del período de un año. El cliente se hará responsable de todos los gastos de remoción o reinstalación y envío del producto para reparaciones o sustitución.
3. Si otra pieza del ventilador fallara dentro del período de un año a partir de la fecha de compra original debido a un defecto en los materiales o en la fabricación, repararemos o sustituiremos, según creamos conveniente, la pieza defectuosa sin cargo alguno en nuestro centro de servicios nacional.
4. Debido a las diversas condiciones climáticas, esta garantía no cubre cambios en la terminación, incluidos oxidación, corrosión, falta de brillo o peladuras.
5. Esta garantía es nula y no se aplica a daños por instalación incorrecta, negligencia, accidentes, uso indebido, exposición al calor o a la humedad en exceso, o como resultado de cualquier modificación realizada al producto original.
6. Todos los gastos de remoción y reinstalación del ventilador son responsabilidad exclusiva del propietario, y no de la tienda que vendió el ventilador ni de Fanimation.
7. Fanimation se reserva el derecho de modificar o discontinuar un producto en cualquier momento, o sustituir cualquier pieza según lo establecido por esta garantía.
8. En ningún caso se podrá devolver un ventilador sin previa autorización por parte de Fanimation. Las devoluciones autorizadas deberán ir acompañadas del recibo de venta y deberán enviarse a Fanimation, previo pago del flete. El ventilador que se devuelva deberá estar embalado en forma adecuada a fin de evitar daños durante el transporte. Fanimation no se hará responsable de los daños que resulten del embalaje incorrecto del producto.
9. Se entiende que las reparaciones y las sustituciones son el único recurso disponible de Fanimation. No existe ninguna otra garantía expresa o implícita. Por la presente, Fanimation niega todas las garantías implícitas, que incluyen, entre otras, la comerciabilidad y la aptitud para determinado fin hasta donde la ley lo permita. Algunos estados no permiten limitaciones sobre las garantías implícitas. Fanimation no se hará responsable por daños accidentales, resultantes o especiales derivados del uso o el rendimiento del producto o en conjunción con éste, excepto en los casos en los que la ley así lo disponga. Esta garantía le otorga derechos legales especiales y es posible que también goce de otros derechos que pueden variar según el estado.
10. Es normal que se produzca un cierto movimiento oscilante y esto no debe considerarse un problema o defecto.

Tabla de contenidos

Instrucciones para el desempaque.	18	Cómo ensamblar las aspas del ventilador de techo	24
Uso eficiente de la energía en ventiladores de techo. . .	19	Cómo ensamblar su el kit de iluminación o la tapa. . . .	24
Requisitos eléctricos y estructurales.	19	Cómo utilizar su ventilador de techo.	26
Cómo colgar el ventilador de techo	21	Cómo instalar su mando a distancia.	26
Cómo realizar la instalación eléctrica del ventilador de		Mantenimiento.	27
techo-Control de pared.	22	Limpieza de las aspas	27
Cómo realizar la instalación eléctrica del ventilador de		Solución de problemas.	27
techo	23	Lista de piezas.	28
Cómo ensamblar el ventilador de techo	23	Ilustración del despiece	29

Este manual está diseñado para facilitar al máximo el ensamblaje, la instalación, el funcionamiento y el mantenimiento de su ventilador de techo.

Herramientas necesarias para el ensamblaje

- Destornillador Phillips (incluidos)
- Pelacables
- llave hexagonal (no incluido)
- Escalera de tijera
- Destornillador de cabeza plana (incluidos)

Materiales

La caja de distribución eléctrica y los conectores de la caja deben ser del tipo requerido por el código local. El cable más pequeño debe ser un cable de tres conductores (de dos conductores con conexión a tierra) del siguiente tamaño:

longitud del cable instalado	tamaño del cable según el A.W.G. (Calibre de Alambre Estadounidense)
hasta 15,2 m (50 pies)	14
de 15,2 a 30,5 m (50 a 100 pies)	12

NOTA: coloque las piezas de las bolsas de piezas individuales en un contenedor pequeño para evitar que se extravíen. Si faltan piezas, póngase en contacto con su proveedor local.

⚠ ADVERTENCIA

Antes de ensamblar el ventilador de techo, consulte la sección sobre el método correcto de instalación eléctrica del ventilador (página 23). Si siente que no posee la experiencia o los conocimientos eléctricos necesarios, contrate a un electricista autorizado para instalar el ventilador.

Instrucciones para el desempaque

Para su comodidad, marque cada uno de los pasos. A medida que completa cada paso, coloque una marca de verificación. Con esto se asegurará de completar todos los pasos y podrá saber desde dónde retomar si fuera interrumpido.

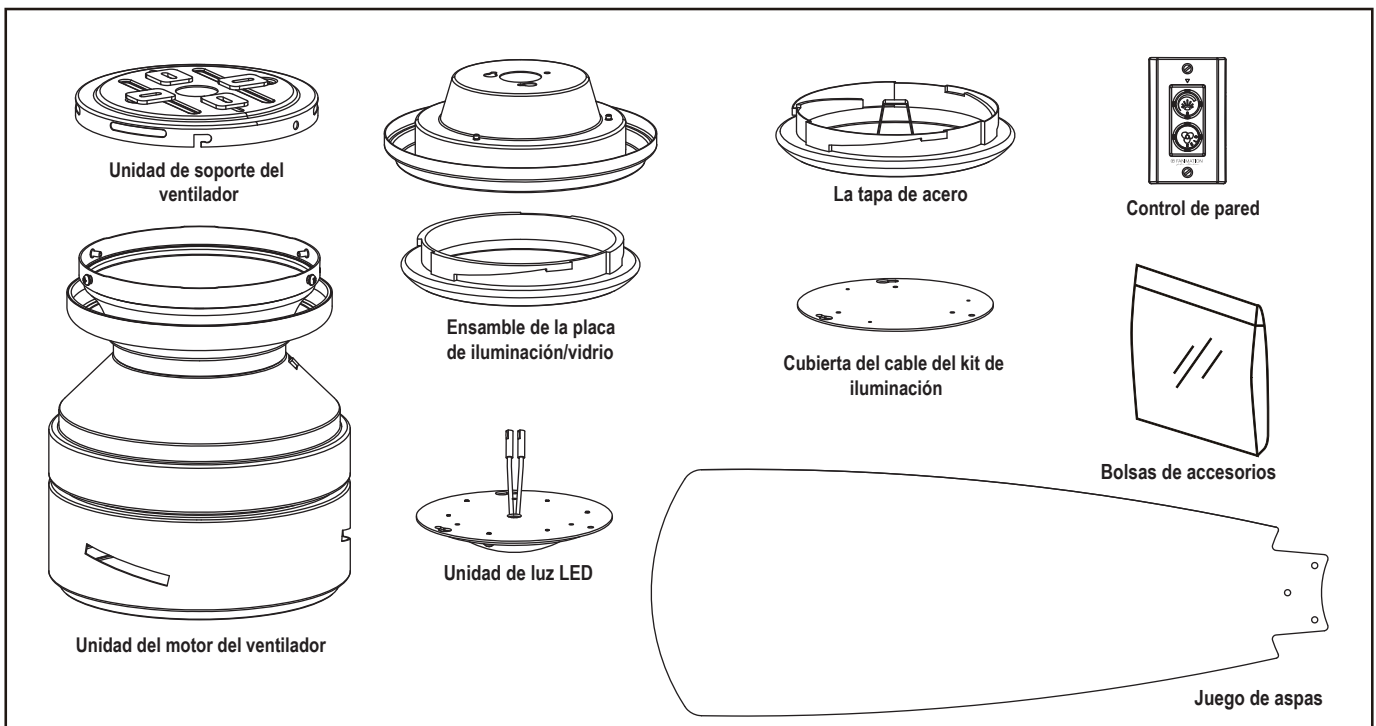
⚠ ADVERTENCIA

No instale ni utilice el ventilador si falta alguna pieza o si hay piezas dañadas. Este producto está diseñado para ser usado sólo con las piezas suministradas o los accesorios indicados por Fanimation específicamente para el mismo. La sustitución de piezas o accesorios no designados por Fanimation para usar con este producto podría ocasionar lesiones personales o daños en el ventilador. Póngase en contacto con su tienda si faltan piezas o hay piezas dañadas.

- Unidad de soporte del ventilador
- Unidad del motor del ventilador
- Ensamble de la placa de iluminación/vidrio
- Unidad de luz LED
- La tapa de acero
- Cubierta del cable del kit de iluminación
- Juego de aspas
- Control de pared
- Bolsas de accesorios:
 - #8-32 Tornillo de cabeza con arandela
 - Arandela de fibra
 - Conectores de cables

1. Verifique que haya recibido las siguientes piezas:

NOTA: Si no está seguro de la descripción de una pieza, consulte la ilustración del despiece.



Uso eficiente de la energía en ventiladores de techo

El nivel de rendimiento y ahorro de energía de los ventiladores de techo dependen de su correcta instalación y uso. A continuación le presentamos algunas sugerencias para asegurar un rendimiento eficiente del producto.

Selección del lugar de montaje adecuado

Los ventiladores de techo se deben instalar en el centro de la habitación, a 2,13 m (7 pies) de altura del piso como mínimo y 0,5 m (18 pulgadas) de las paredes. Si la altura del techo lo permite, instale el ventilador a 2,5 m (8-9 pies) por encima del suelo para un flujo de aire óptimo. Consulte en su tienda minorista de Fanimation para obtener accesorios de montaje opcionales.

Apague el ventilador cuando no se encuentre en la habitación

Los ventiladores son para refrescar a la gente, no a las habitaciones. Si la habitación está vacía, apague el ventilador de techo para ahorrar energía.

Uso del ventilador de techo todo el año

En verano: Use el ventilador de techo en sentido contrario a las agujas del reloj. El flujo de aire que produce el ventilador creará un efecto frío del aire que lo refrescará más. Seleccione una velocidad que le proporcione una brisa confortable. Las velocidades más bajas consumen menos energía.

En invierno: Invierta el motor y haga funcionar el ventilador de techo a velocidad baja y en el sentido de las agujas del reloj. Esto produce una suave corriente ascendente, que obliga al aire cálido que se acumula cerca del techo a bajar al espacio ocupado. No olvide ajustar el termostato cuando utilice el ventilador de techo. Con este sencillo paso puede ahorrar energía adicional y dinero.

Requisitos eléctricos y estructurales

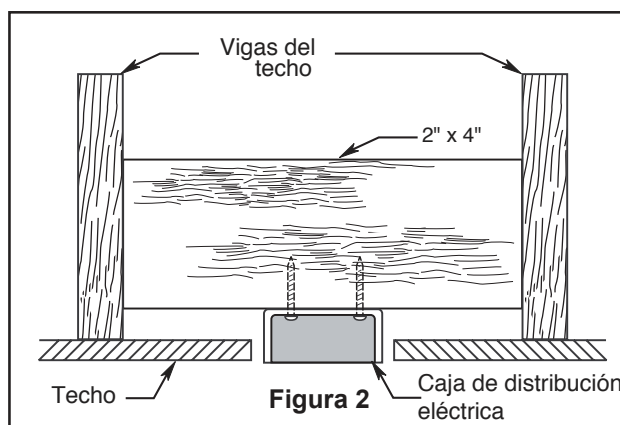
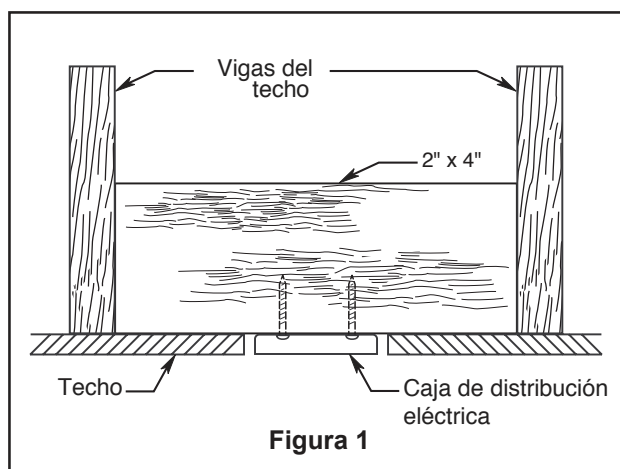
Su nuevo ventilador de techo requiere una línea de suministro eléctrico con conexión a tierra de 120 voltios de CA, 60 Hz, circuito de 15 amperios. La normativa eléctrica requiere el uso de una caja de distribución eléctrica para ventiladores que soporte el peso extra y el movimiento asociado a un ventilador de techo. La caja de distribución eléctrica será etiquetada como tal y soportará un ventilador de techo de un peso de hasta 70 libras. Dichas cajas varían en tipos y diseños. Asegúrese de que el tipo de su caja reúne los criterios para el ventilador que se está instalando. Las ilustraciones 1, 2 y 3 muestran las diferentes configuraciones estructurales que pueden ser utilizadas para dicha caja de distribución eléctrica.

Uso de perfil bajo (Figura 1)

La caja lisa de 1/2 pulgada de profundidad será atornillada a una viga o bloque. Se utilizará si solo un cable va a ser introducido en la caja. También está disponible en una configuración de montaje endosado.

Uso de perfil profundo (Figura 2)

La caja de 2-1/4 pulgada será atornillada a un bloque entre vigas que tenga suficiente espacio para colocar más de un cable.



Requisitos eléctricos y estructurales (cont.)

Uso del soporte (Figura 3)

Conectado a una caja de distribución eléctrica, este colgador sirve para abarcar el espacio entre dos vigas y ocupar el lugar de bloqueo de la madera.

⚠ ADVERTENCIA

Para reducir el riesgo de incendios, descargas eléctricas o lesiones personales, fije el ventilador a la caja de distribución eléctrica marcada como aceptable para soporte de ventilador de 15,88kg (35lb). Utilice los tornillos suministrados con la caja de distribución eléctrica. La mayoría de las cajas de distribución eléctrica que comúnmente se utilizan como soporte de lámparas no son aptas para soporte de ventiladores y es posible que deban reemplazarse. Consulte a un electricista calificado si tiene dudas.

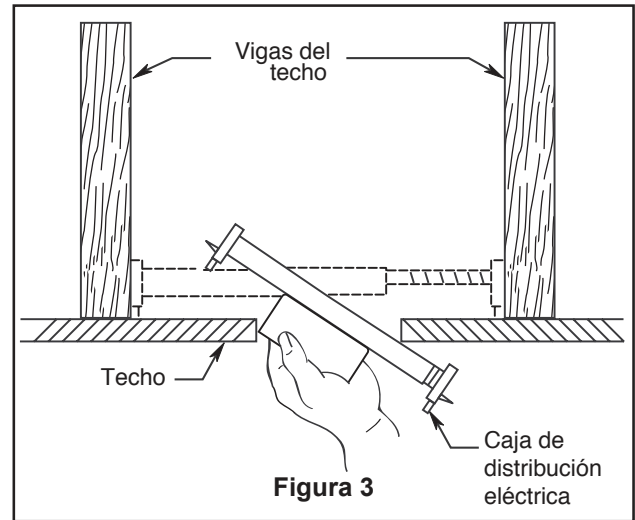
Si su ventilador va a sustituir una instalación de iluminación existente, desconecte la electricidad de la caja del fusible principal en esta ocasión y extraiga la unidad de iluminación.

⚠ ADVERTENCIA

Apagar el interruptor de pared no es suficiente. Para evitar posibles descargas eléctricas, asegúrese de que la electricidad esté desconectada en la caja de fusibles principal antes de realizar la instalación eléctrica. Toda instalación eléctrica debe cumplir con los códigos nacionales y locales y el ventilador de techo debe tener la conexión a tierra adecuada como forma de precaución ante posibles descargas eléctricas.

⚠ ADVERTENCIA

A fin de evitar incendios o descargas eléctricas, siga con cuidado todas las instrucciones de instalación eléctrica. Cualquier trabajo eléctrico que no se describa en estas instrucciones deberá ser realizado o aprobado por un electricista autorizado.



Cómo colgar el ventilador de techo

⚠ ADVERTENCIA

Las aspas del ventilador deben estar suspendidas, al menos, a 2 m (7') del piso (Figura 1)

⚠ ADVERTENCIA

Para evitar posibles descargas eléctricas, asegúrese de que la electricidad esté desconectada en la caja de fusibles principal antes de colgar el ventilador.

NOTA: Si no está seguro de si la caja de distribución eléctrica tiene conexión a tierra, pida asesoramiento a un electricista autorizado, ya que la conexión a tierra es fundamental para un funcionamiento seguro.

⚠ ADVERTENCIA

Es fundamental que la caja de distribución eléctrica y los tornillos estén bien asegurados a la estructura armada y que sean capaces de soportar una carga de, al menos, 15,9 kg (35 lb). Si los tornillos no están correctamente colocados, el ventilador podría caerse. (Figura 2)

1. Ajuste bien la caja de conexiones del techo apta para soporte de ventilador en la estructura armada. La caja de conexiones no se suministra con el ventilador. (Figura 2)
2. Usando los tornillos de la caja de conexiones suministrados con dicha caja, fije correctamente el soporte de techo a la caja de conexiones tal y como se muestra. (Figura 3)
3. Extraiga y guarde los dos tornillos opuestos del motor, luego afloje los dos tornillos restantes. (Figura 4)
4. Cuelgue el motor del enganche del soporte de techo tal y como se muestra. (Figura 5). Ahora puede realizar el cableado eléctrico de su ventilador.

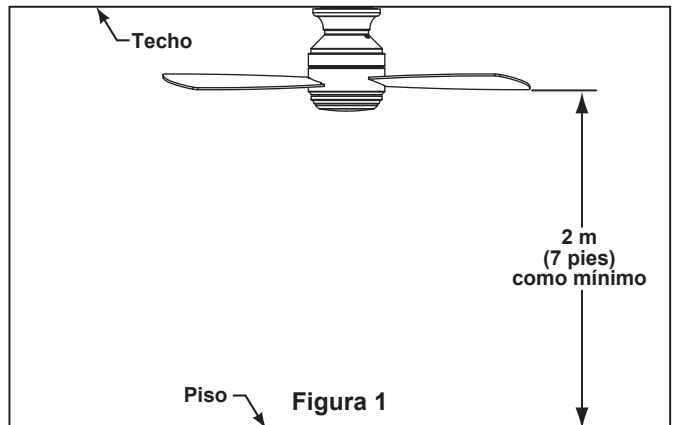


Figura 1

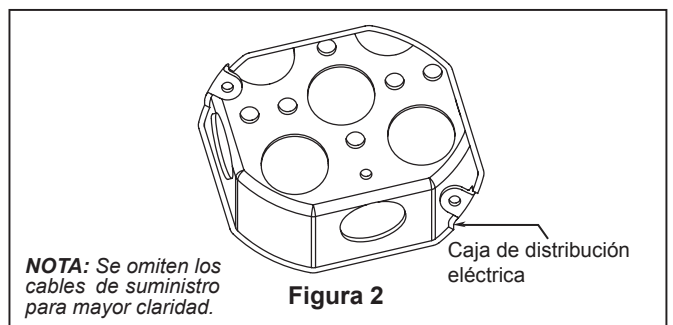


Figura 2

NOTA: Se omiten los cables de suministro para mayor claridad.

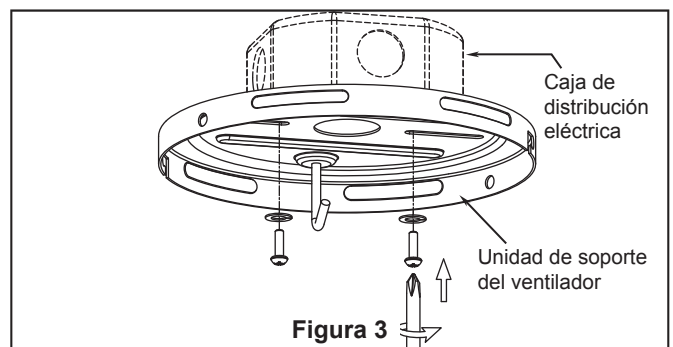


Figura 3

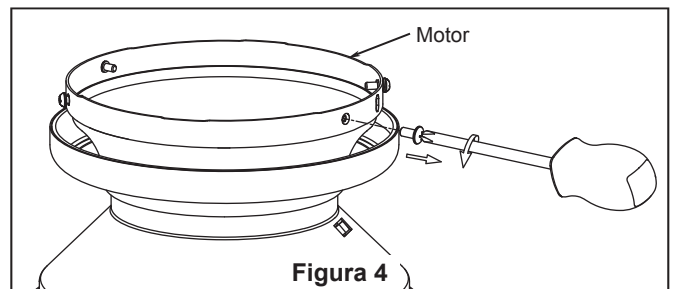


Figura 4

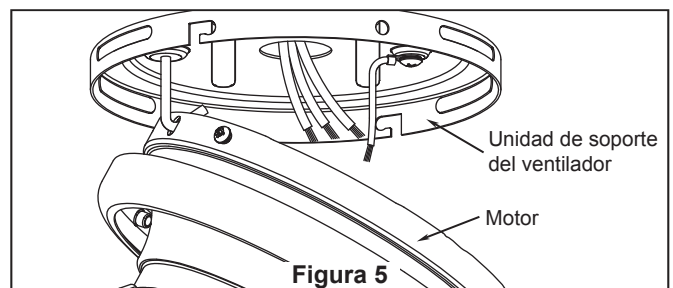


Figura 5

Cómo realizar la instalación eléctrica del ventilador de techo-Control de pared

NOTA: Si los cables de suministro o del ventilador son de colores diferentes que los indicados, contrate a un electricista calificado para que realice la instalación.

⚠ ADVERTENCIA

Para evitar una posible descarga eléctrica, asegúrese de cortar la alimentación eléctrica de la caja de fusibles principal antes de alambrao el ventilador. (Figura 1)

NOTA: Si no está seguro de si la caja de salida tiene conexión a tierra, pida consejo a un electricista certificado, ya que debe tener conexión a tierra para un funcionamiento seguro.

⚠ ADVERTENCIA

Para evitar posibles descargas eléctricas, asegúrese de que la electricidad esté desconectada en la caja de fusibles principal antes de colgar el ventilador. (Figura 1)
NOTA: Si no está seguro de si la caja de distribución eléctrica tiene conexión a tierra, pida asesoramiento a un electricista autorizado, ya que la conexión a tierra es fundamental para un funcionamiento seguro.

NOTA: Configure el interruptor de la luz y la manilla del control instalado en la pared en la posición desactivado (0) antes de alambrao el ventilador.

1. Desconecte la fuente de alimentación y extraiga el interruptor y la placa de pared existentes.
2. Configure el interruptor de la luz y la manilla del control instalado en la pared en la posición desactivado (0).
3. Realice las conexiones de los cables y fíjelo con las tuercas de los cables suministrados. (Figura 2)
 - Conecte el cable negro (CA en L) del control instalado en la pared con el cable de la fuente de alimentación CA.
 - Conecte el cable negro (al motor L) del control instalado en la pared con el cable negro del ventilador del techo.
 - Conecte el cable blanco del ventilador de techo a la fuente de alimentación CA.
 - Conecte el cable azul (a la luz) del control instalado en la pared con el cable azul del ventilador de techo.
 - Conecte el cable verde/amarillo del control instalado en la pared con el ventilador de techo y el cable de toma de tierra de la fuente de alimentación CA.

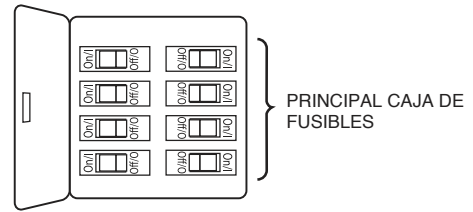


Figura 1

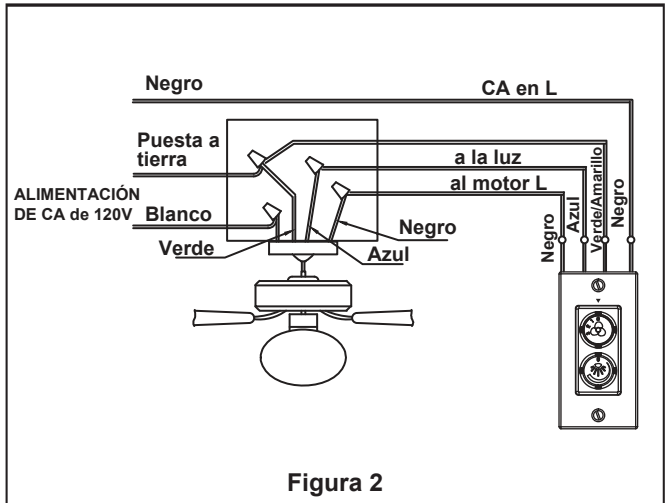


Figura 2

⚠ ADVERTENCIA

Verifique que todas las conexiones estén ajustadas, incluida la conexión a tierra, y que no haya conductores desnudos visibles en los conectores. No opere el ventilador hasta que las aspas estén instaladas. Podría ocasionar ruidos y daños al motor.

Cómo realizar la instalación eléctrica del ventilador de techo

1. Conecte el cable verde de toma de tierra de la unidad del techo a la toma de tierra de la fuente de alimentación, del motor y del conductor de control en la pared (este puede ser un cable desnudo o con aislamiento de color verde). Conecte con seguridad los cables con un conector de cable. Conecte con seguridad el cable blanco (que viene del motor) al cable blanco de la fuente de alimentación (neutro) usando un conector de cable. Conecte con seguridad el cable negro (que viene del motor) al cable negro del control de pared usando un conector de cable. Conecte con seguridad el cable azul (que viene del motor) al cable azul del control de pared usando un conector de cable. (Figura 1)

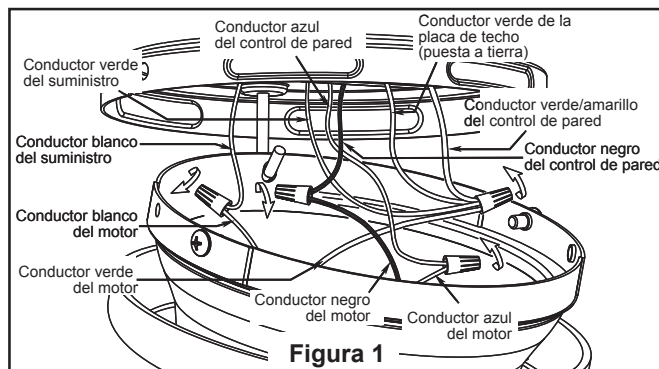


Figura 1

2. Luego de empalmar los cables y realizar la conexión, sepárelos y dóblelos hacia arriba con el conductor con conexión a tierra y el unidad del techo a tierra del equipo debe ir en un lado de la caja de distribución eléctrica y el unidad del techo a tierra debe ir del otro lado. (Figura 1)

Aditamentos utilizados:

Conectores de cable



x 4

Cómo ensamblar el ventilador de techo

1. Levante el ventilador del enganche del soporte colgante e instale su ventilador deslizando la unidad del motor con dos tornillos aflojados en las ranuras en forma de "L" de la soporte del ventilador. Asegúrese de que todo el cableado se introduce adecuadamente en la cubierta del techo y que no se presiona ningún cable. Una vez que la motor está colocada y alineada con el techo, gire en el sentido de las agujas del reloj para asentar los tornillos en la parte correcta de la ranura. A continuación fije adecuadamente los tornillos. (Figura 1)

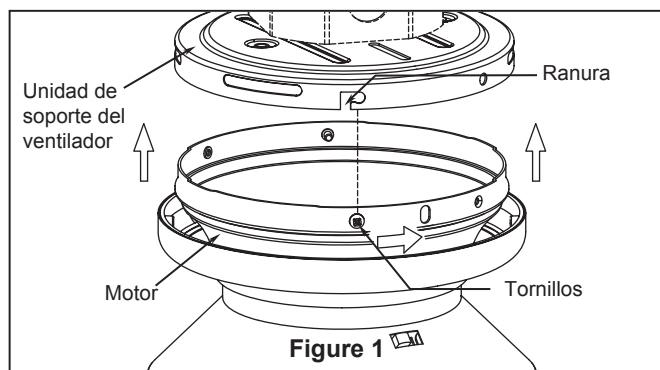


Figure 1

2. Instale la unidad del motor a la unidad de soporte de techo utilizando los tornillos retirados previamente fije con seguridad los tres tornillos. (Figura 2)

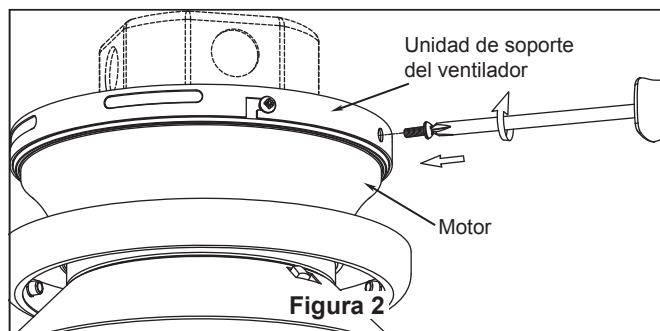


Figura 2

3. Extraiga el cojinete flexible antes de presionar hacia arriba el anillo embellecido del dosel. Presione hacia arriba el anillo de la cubierta de tornillos para ocultar los tornillos. Así, las pestañas de montaje se coloquen en las ranuras con muescas ubicadas en la cubierta del techo entre los tornillos. (Figura 3)

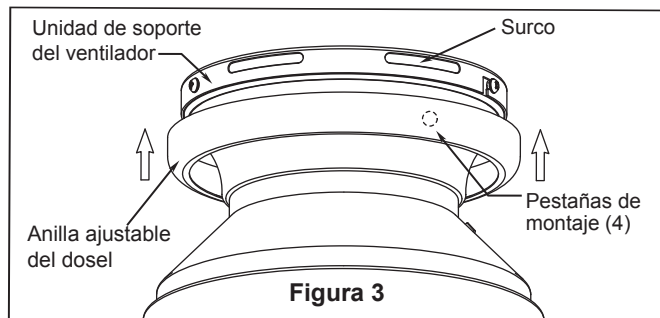


Figura 3

Cómo ensamblar las aspas del ventilador de techo

1. Coloque las palas a través de las ranuras en la cubierta del motor y fije la unidad del motor usando los tornillo de cabeza con arandela #8-32 y las arandelas de fibra. Asegúrese de que los tornillos fijan adecuadamente las palas al centro del motor estando éstas colocadas correctamente. (Figura 1)

NOTA: Revise periódicamente las piezas de los aspas y vuelva a ajustarlas si fuese necesario.

ADVERTENCIA

Para reducir el riesgo de lesiones personales, no doble los soportes de aspas al instalarlos, balancear las aspas o limpiar el ventilador. No coloque objetos extraños entre las aspas del ventilador en funcionamiento.

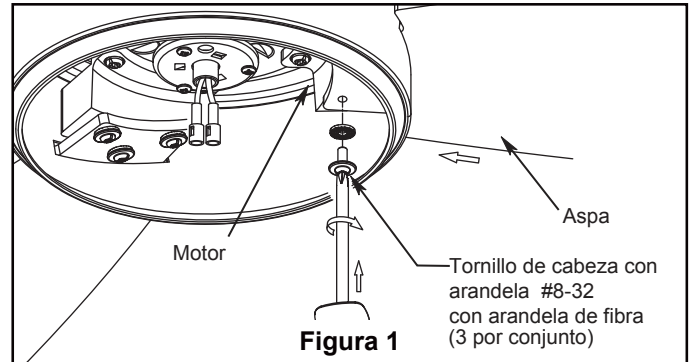


Figura 1

Aditamentos utilizados:

#8-32 WASHER HEAD SCREWS  x 9

Arandela de fibra  x 9

Cómo ensamblar su el kit de iluminación o la tapa

1. Extraiga uno de los tres tornillos del soporte ubicado en la parte inferior de la unidad del motor. Guárdelos para después y afloje levemente los otros dos tornillos. (Figura 1)

2. Instale la ensamble de la placa de iluminación en el soporte utilizando las dos ranuras principales de conexión. Vuelva a colocar el tercer tornillo y asegure los tres tornillos. (Figura 2)

3. Extraiga uno de los tres tornillos del ensamble de la placa de iluminación y guarde los tornillos para pasos posteriores. Afloje levemente los otros dos tornillos. (Figura 3)

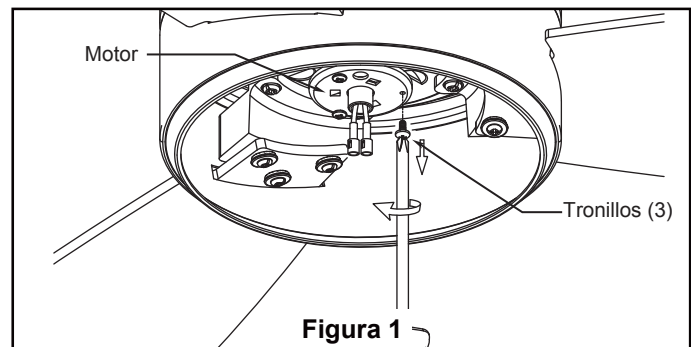


Figura 1

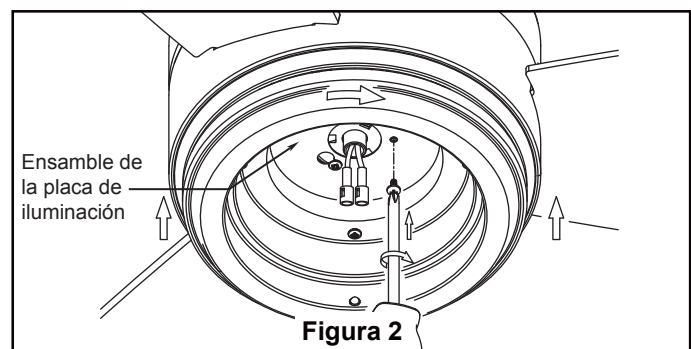


Figura 2

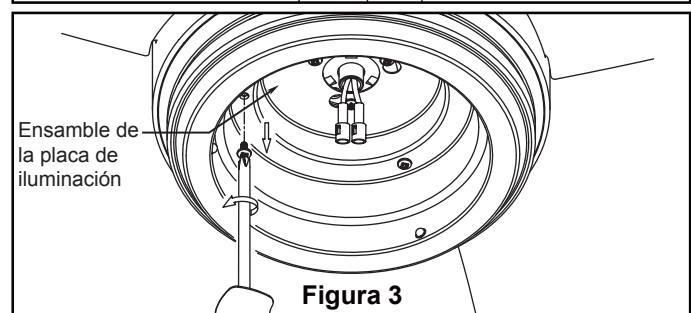


Figura 3

Cómo ensamblar su el kit de iluminación o la tapa (cont.)

4. Si desea instalar el kit de iluminación, sátese este paso. Instale la cubierta del cable del kit de iluminación en la ensamble de la placa de iluminación usando las dos ranuras con clave. Sustituya el tornillo extraído y fije bien los tres tornillos. (Figura 4)

- 5A. (Opción A – Para su uso con el kit de iluminación)
Instale el conector de 2 clavijas desde unidad de luz LED conexión a la unidad del motor. (Figura 5A)

PRECAUCIÓN

A fin de reducir el riesgo descargas eléctricas, desconecte el circuito de suministro eléctrico al ventilador antes de instalar el kit de iluminación.

- 5B. (Opción B – Para su uso con la tapa de acero)
Si desea instalar la tapa de acero y no el conjunto de luz. Monte el la tapa de acero en la kit de luz del interruptor girándolo en el sentido de las agujas del reloj. No apriete demasiado. (Figura 5B)

NOTA: Si ha instalado su ventilador con la tapa de acero, sátese los pasos 6 a 7.

6. Instale la unidad LED en la ensamble de la placa de iluminación mediante los dos chaveteros. Vuelva a colocar el los tornillos extraídos en el paso 3 y apriete todos los tornillos. (Figura 6)

PRECAUCIÓN

La fuente de luz está diseñado para esta aplicación específica y puede recalentarse si reparado por personal no capacitado. Si se requiere ningún tipo de servicio, el producto debe ser devuelto a un centro de servicio autorizado para su revisión o reparación.

7. Asegure el vidrio en la la ensamble de la placa de iluminación girándolo en el sentido de las agujas del reloj y sin apretar demasiado. (Figura 7)

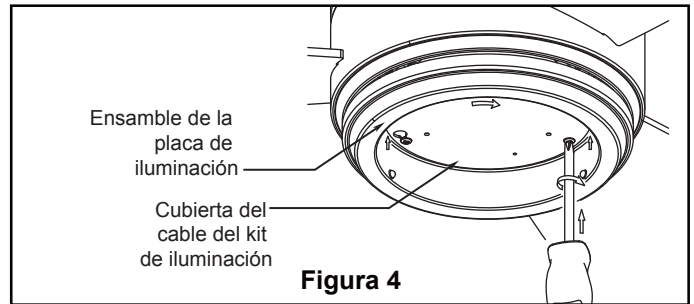


Figura 4

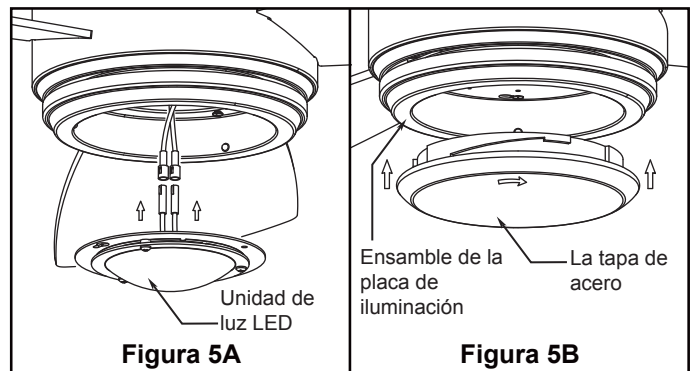


Figura 5A

Figura 5B

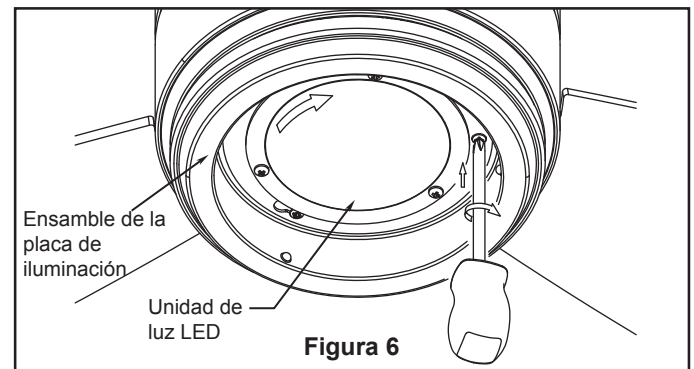


Figura 6

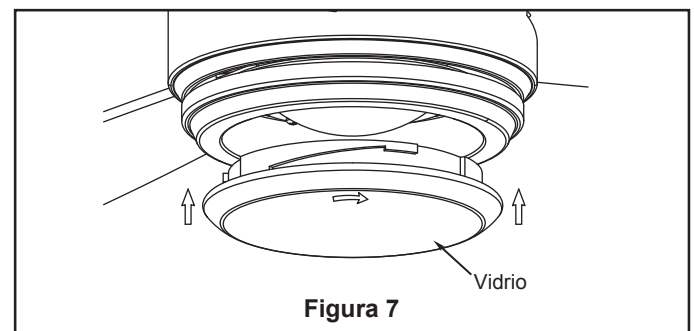


Figura 7

Cómo utilizar su ventilador de techo

1. Restaure la fuente de alimentación de la toma de corriente enciendiendo la electricidad del fusible principal. (Figura 1)

ADVERTENCIA

Compruebe que todas las conexiones realizadas correctamente, incluyendo la toma de tierra, y que no se visualizan ningún cable pelado en los conectores de cables, con la excepción del cable de toma de tierra. No utilice el ventilador hasta que las palas estén colocadas en su lugar, ya que de lo contrario se podría causar ruido y daños.

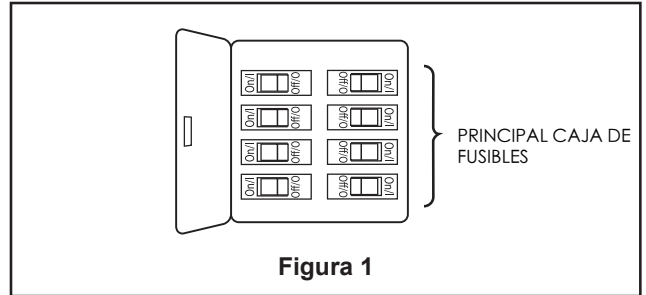


Figura 1

2. Funciones de control de pared: (Figura 2)

- Interruptor de velocidad de ventilador:



0: Apaga el ventilador

1: Velocidad baja

2: Velocidad media

3: Velocidad alta

- Interruptor de iluminación:



0: Apaga el ventilador,

Cambie en interruptor en el sentido contrario a las agujas del reloj para aumentar la iluminación y en el sentido de las agujas del reloj para atenuarla.

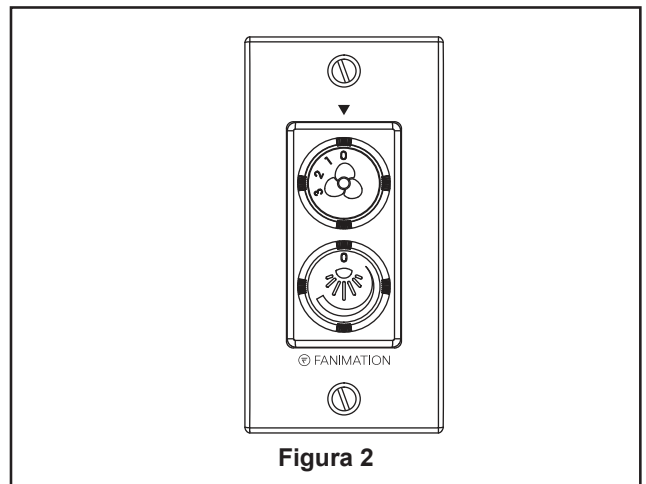


Figura 2

3. Si desea que el flujo de aire se desplace en la dirección opuesta, apague el ventilador y espere a que. Extraiga el vidrio o tapón de plástico desde el ensamble de la placa de iluminación. Luego deslice el conmutador inversor dentro de la placa de iluminación a la posición contraria y vuelva a encender el ventilador. (Figura 3)

Información sobre el interruptor de reversa

Temporada	Dirección de rotación	Posición del interruptor
Verano	En dirección con traria a las manecillas del reloj	Izquierda
Invierno	En dirección de las manecillas del reloj	Derecha

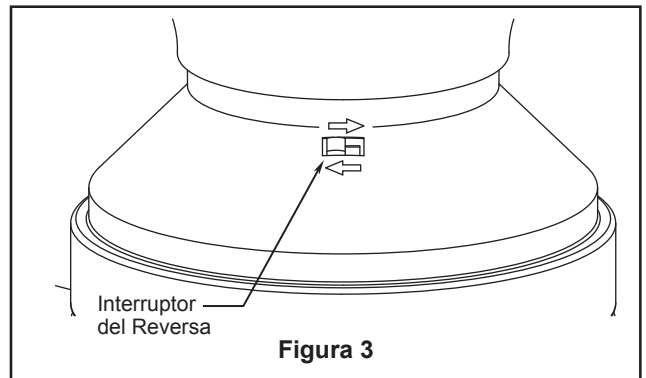


Figura 3

Cómo instalar su mando a distancia

1. Asegure el control instalado en la pared en la caja de conexiones con los dos tornillos suministrados. A continuación, la placa frontal fija el control de pared con los dos tornillos pintados. (Figura 1)

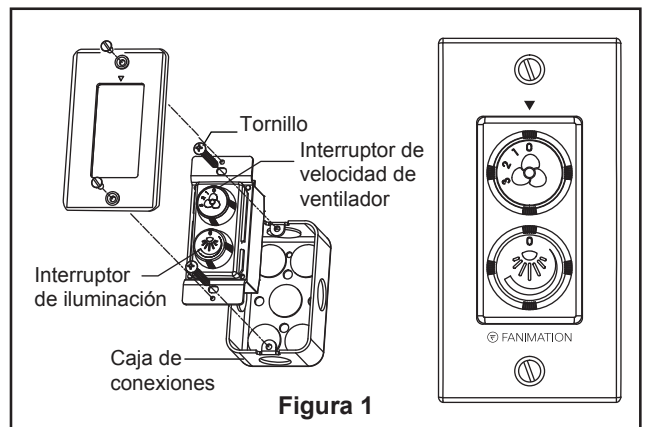


Figura 1

Mantenimiento

El único mantenimiento necesario para el ventilador de techo es una limpieza periódica.

Al llevar a cabo la limpieza, use sólo un cepillo suave o un paño sin pelusas, para evitar rayar el acabado.

No se requieren agentes abrasivos de limpieza; los mismos deben evitarse para prevenir daños en el acabado.

PRECAUCIÓN

No utilice solventes para limpiar el ventilador de techo. Podrían dañar el motor o las aspas y ocasionar posibles descargas eléctricas.

Limpieza de las aspas

Se recomienda limpiar el polvo de las aspas periódicamente. Lo mejor es utilizar un plumero.

Evite usar agua, productos de limpieza o trapos ásperos, que pueden combar o dañar las aspas.

Solución de problemas

⚠ ADVERTENCIA

Para su propia seguridad, desconecte la electricidad de la caja de fusibles o disyuntor antes de solucionar problemas en su ventilador.

Problema	Causa posible	Solución sugerida
1. EL VENTILADOR NO ARRANCA	<ol style="list-style-type: none">1. El fusible o el disyuntor están fundidos.2. Las conexiones eléctricas del ventilador o del interruptor en la caja del interruptor están flojas.3. El conmutador inversor se encuentra en posición neutra.	<ol style="list-style-type: none">1. Controle los fusibles del circuito principal y derivado o los disyuntores.2. Controle las conexiones eléctricas del ventilador y del interruptor en las cajas de los interruptores. <p>PRECAUCIÓN: Asegúrese de que el suministro principal de electricidad esté desconectado!</p> <ol style="list-style-type: none">3. Asegúrese de que el conmutador inversor esté completamente a un lado.
2. EL VENTILADOR HACE RUIDO	<ol style="list-style-type: none">1. Las aspas no están sujetas al ventilador2. Hay tornillos flojos en la caja del motor.3. Los conectores de cables dentro de la caja hacen ruido.4. Ruido del motor provocado por el control de velocidad de estado sólido variable.	<ol style="list-style-type: none">1. Ajuste las aspas al ventilador antes de ponerlo en funcionamiento.2. Asegúrese de que todos los tornillos de la caja del motor estén bien ajustados (pero no en exceso).3. Asegúrese de que los conectores de cables en la caja del interruptor no produzcan ruido al rozar unos con otros o al rozar la pared interior de la caja del interruptor. <p>PRECAUCIÓN: Asegúrese de que el suministro principal de electricidad esté desconectado!</p> <ol style="list-style-type: none">4. Algunos motores de ventilador son sensibles a las señales de los controles de velocidad de estado sólido variables. Los controles de estado sólido no son recomendables. Escoja un método de control alternativo.
3. EL VENTILADOR OSCILA EN EXCESO	<ol style="list-style-type: none">1. Los tornillos que aseguran las aspas al buje del motor están flojos.2. El soporte de suspensión o la caja de distribución eléctrica del techo no están bien asegurados.	<ol style="list-style-type: none">1. Asegúrese de que los tornillos que fijan las aspas al buje del motor del ventilador estén bien ajustados.2. Ajuste los tornillos del soporte de suspensión de la caja de distribución eléctrica y asegúrela.

Lista de piezas

Modelos N.ºLP8347B**

N.º de Ref.	Descripción	Pieza # N.º
1	Unidad de soporte del ventilador	AP834701BL
2	Unidad del motor del ventilador	AMA8347B**
3	Juego de aspas	AP834703**
4	Ensamble de la placa de iluminación/vidrio	AP834713**
5	Unidad de luz LED	AP834710D3090
6	Cubierta del cable del kit de iluminación	P834717NI
7	La tapa de acero	AP834716**
8	Control de pared	CW60WH-8347B
9	<i>Bolsa de accesorios:</i>	HDWLP8347**
	Conectores de cables (4)	
	<i>Bolsa de accesorios para el montaje de aspas:</i>	
	#8-32 Tornillo de cabeza con arandela (10)	
	Arandela de fibra (10)	

Antes de desechar los materiales de embalaje, asegúrese de haber extraído todas las piezas

Cómo hacer un pedido de piezas

Al hacer un pedido de piezas de repuesto, proporcione siempre la siguiente información:

- Número de pieza
- Descripción de la pieza
- Número de modelo del ventilador

Póngase en contacto con su tienda para obtener las piezas de repuesto.

Modelo N.º LP8347B**

Ilustración del despiece

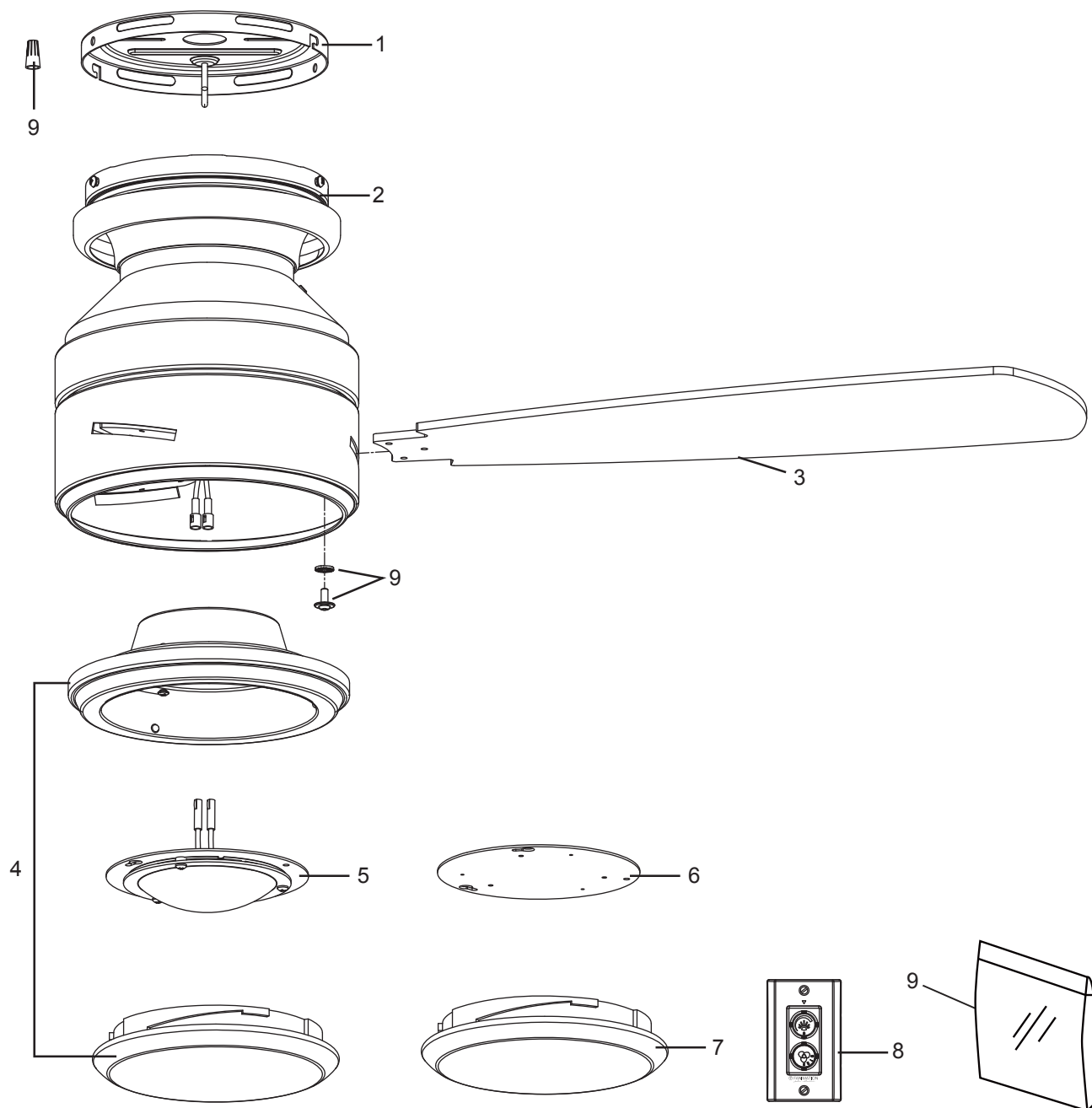


Figura 1

NOTA: La ilustración que se muestra no está hecha a escala y su configuración real o las terminaciones puede variar



10983 Bennett Parkway
Zionsville, IN 46077
Llame sin cargo al (888) 567-2055
FAX (866) 482-5215
Desde fuera de los EE.UU., llame al (317) 733-4113
Visite nuestro sitio Web en www.fanimation.com

2019/01 V.01
Copyright 2019 Fanimation