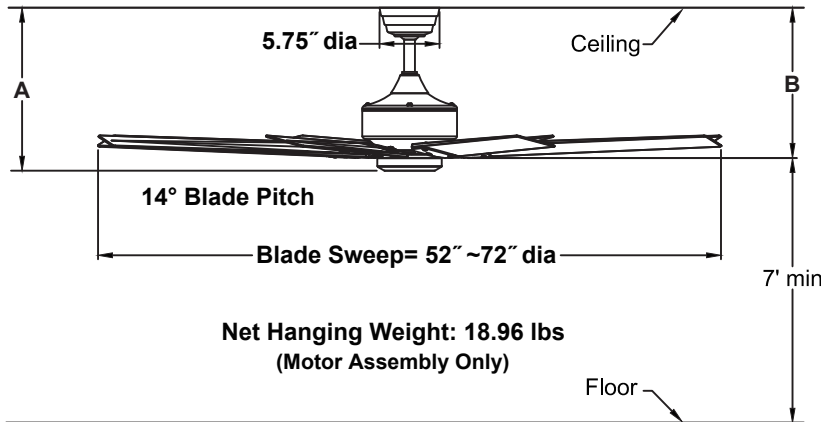


**LEVON™ CUSTOM**



**MAD7912\*\*  
Ceiling Fan**



Available Finishes	
BN	Brushed Nickel
DZ	Dark Bronze
MW	Matte White

	A	B
Fan w/6" downrod	15.58"	14.40"
Fan w/12" downrod	21.58"	20.40"
Fan w/18" downrod	27.58"	26.40"
Fan w/24" downrod	33.58"	32.40"
Fan w/36" downrod	45.58"	44.40"
Fan w/48" downrod	57.58"	56.40"
Fan w/60" downrod	69.58"	68.40"
Fan w/72" downrod	81.58"	80.40"

**INSTALLATION REQUIREMENTS:**

Fan must be attached to a securely anchored electrical junction box capable of withstanding a load of at least 35 lbs.

**ELECTRICAL REQUIREMENTS:**

Requires a grounded electrical supply line of 120 volts AC, 60 Hz, 15 amp circuit.

**MOTOR SPECS:**

DC-165M DC motor is designed for optimal performance with this fan.

**BLADES:**

8 bladed blade sets are available in plastic and wood materials— all sold separately. See our catalog or visit [www.fanimation.com](http://www.fanimation.com) for blade options.

**CONTROL OPTIONS:**

TR39 hand-held DC fan remote control is included. Push button remote control has 6 fan speeds, infinite light levels, reverse and off button.

**LIGHTING OPTIONS:**

Optional lighting fitters and light kits are available—See our catalog or visit [www.fanimation.com](http://www.fanimation.com) for available lighting options.

**DOWNROD OPTIONS:**

Fan comes with a 1" dia. x 6" long downrod (DR1-6). Optional downrods are available in 12", 18", 24", 36", 48", 60" and 72" lengths. A downrod coupler is available for installations requiring a downrod longer than 72". The fan can be mounted on a sloped ceiling up to 27°. Optional sloped ceiling ball kits (SCB1-52) are available for slope angles greater than 27° and up to 42°. Call technical support for more information.

**LOCATION USE:**

Fan is rated for dry and damp locations.

Airflow / Energy Efficiency Info (120V) Energy Star test with BPW7912 Blade					
Fan Speed	Max RPM	CFM	CFM / Watts	Amps	Watts
I	51	3006	1156	0.05	3
II	68	4023	856	0.07	5
III	87	4962	598	0.12	8
IV	103	5885	423	0.19	14
V	120	7029	306	0.31	23
VI	134	7695	226	0.42	34