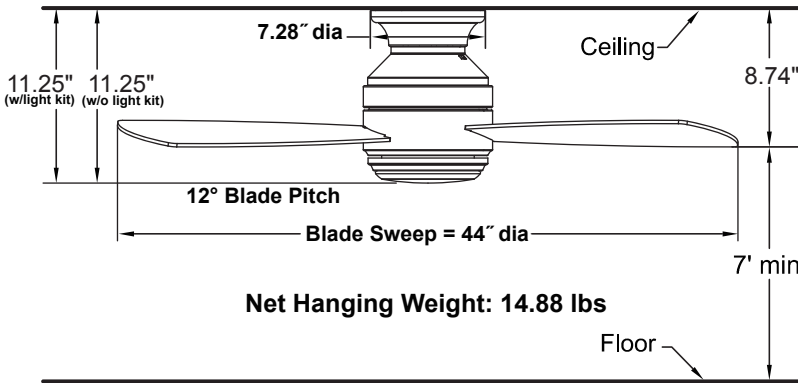
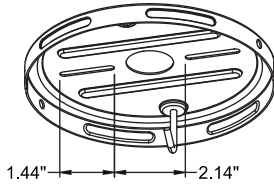


**LEVEL™**

**LP8347\*\*  
44" Ceiling Fan**

Ceiling Bracket  
Width of the screw slot



Available Finishes	
AZ	Aged Bronze with Aged Bronze blades and Opal Frosted Glass / Steel Cap
BN	Brushed Nickel with Brushed Nickel blades and Opal Frosted Glass / Steel Cap
GR	Matte Greige with Matte Greige blades and Opal Frosted Glass / Steel Cap
MW	Matte White with Matte White blades and Opal Frosted Glass / Steel Cap

**INSTALLATION REQUIREMENTS:**

Fan must be attached to a securely anchored electrical junction box capable of withstanding a load of at least 35 lbs.

**ELECTRICAL REQUIREMENTS:**

Requires a grounded electrical supply line of 120 volts AC, 60 Hz, 15 amp circuit.

**MOTOR SPECS:**

153 x 12 AC motor is designed for optimal performance with this fan.

**CONTROL OPTIONS:**

CW60WH-8347 wall control is included.

Switch control has 3 fan speeds, light levels and off button. The reverse switch is located on the top housing.

Optional BTCR9, CRL4WH and CRL8TS hand-held remote controls with receiver units are available—sold separately.

Instructions are provided with each control.

**BLADES:**

A set of three 19" plywood blades is included.

**LIGHTING OPTIONS:**

One 17.5-watt LED included.

**LOCATION USE:**

Fan is rated for dry location only.

Airflow / Energy Efficiency Info (120V)					
Fan Speed	Max RPM	CFM	CFM / Watts	Amps	Watts
High	250	4536	88	0.43	51
Med	183	3358	123	0.32	27
Low	117	2343	179	0.22	13

Light Bulb Information (120V)					
Bulb Type	Watts	QTY	Lumens Amount	Color Temp	CRI
LED	17.5	1	1550	3000	80%