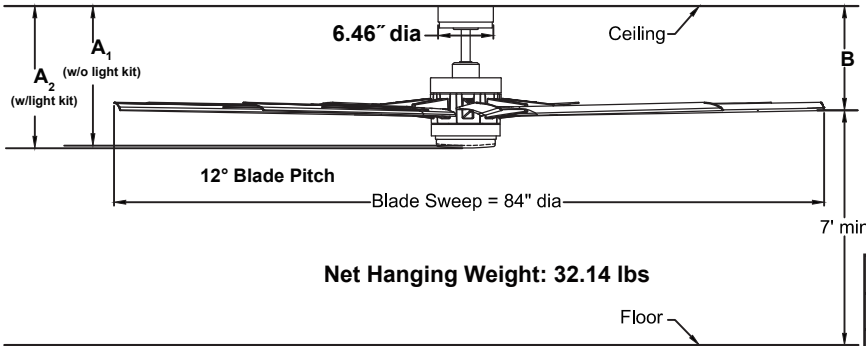
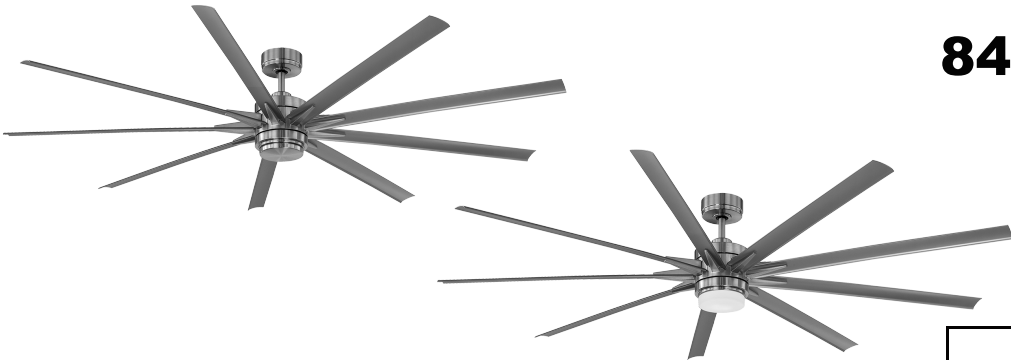




FPD8149** 84" Wet Location Ceiling Fan



	A ₁	A ₂	B
Fan w/ 6" downrod	16.33"	16.64"	12.20"
Fan w/12" downrod	22.33"	22.64"	18.20"
Fan w/18" downrod	28.33"	28.64"	24.20"
Fan w/24" downrod	34.33"	34.64"	30.20"
Fan w/36" downrod	46.33"	46.64"	42.20"
Fan w/48" downrod	58.33"	58.64"	54.20"
Fan w/60" downrod	70.33"	70.64"	66.20"
Fan w/72" downrod	82.33"	82.64"	78.20"

Available Finishes		
Fan / Housing Assembly		Blades/Glass
BNWBN	Brushed Nickel	Brushed Nickel with Opal Frosted Glass
BNWBL	Brushed Nickel	Black with Opal Frosted Glass
DZW	Dark Bronze	Dark Walnut with Opal Frosted Glass
GRW	Matte Greige	Weathered wood with Opal Frosted Glass
MWW	Matte White	Matte white with Opal Frosted Glass

INSTALLATION REQUIREMENTS:

Fan must be attached to a securely anchored electrical junction box capable of withstanding a load of at least 35 lbs.

ELECTRICAL REQUIREMENTS:

Requires a grounded electrical supply line of 120 volts AC, 60 Hz, 15 amp circuit.

MOTOR SPECS:

DC-165L DC motor is designed for optimal performance with this fan.

BLADES:

A set of nine 38" composite blades is included.

CONTROL OPTIONS:

TR39 hand-held DC fan remote control is included. Push button remote control has 6 fan speeds, infinite light levels, reverse and off button. Optional TW40 wall control is available—sold separately. Instructions are provided with each control.

LIGHTING OPTIONS:

One 18-watt LED included.

DOWNROD OPTIONS:

Fan comes with a 1" dia. x 6" long downrod (DR1-6). Optional downrods are available in 12", 18", 24", 36", 48", 60" and 72" lengths. A downrod coupler is available for installations requiring a downrod longer than 72". The fan can be mounted on a sloped ceiling up to 27°. Optional sloped ceiling ball kits (SCB1-52) are available for slope angles greater than 27° and up to 42°. Call technical support for more information.

LOCATION USE:

Fan is rated for wet locations.

Airflow / Energy Efficiency Info (120V)					
Fan Speed	Max RPM	CFM	CFM / Watts	Amps	Watts
I	31	5550	1009	0.08	6
II	37	6676	804	0.12	8
III	43	7866	656	0.16	12
IV	52	9073	516	0.24	18
V	56	9787	445	0.29	22
VI	63	11190	348	0.41	32

Light Bulb Information (120V)				
Bulb Type	Watts	Lumens Amount	Color Temp	CRI
LED	18	1350	3000	80%