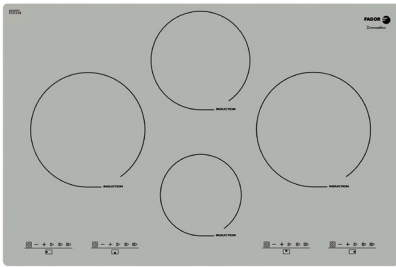
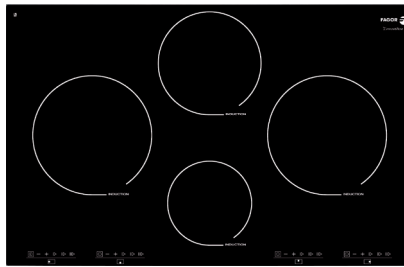


Induction Cooktops



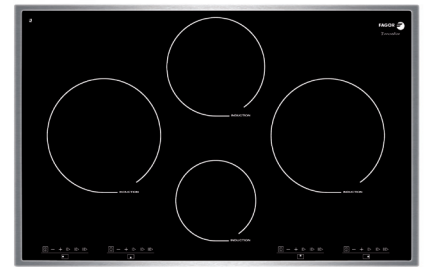
IFA-80 BN
Beveled
 Item Number: 902010126

- **New Space Saving Casing.**
 Narrowest available on the market. Allows flexibility for storage or mounting an oven beneath the unit.
- 4 cooking zones.
- Power range: 50 W- 2800 W.
- 30 Amps. Provides powerful cooking with less amperage requirement than most competitive models. Major benefit when existing electrical circuit cannot be upgraded past 30 Amps.
- Total power: 7.2 kW.
- 8 point safety system.
- 12 cook settings + quick launch settings (6: Medium, 10: High, 12: Maximum).
- Illuminated touch controls.
- Extremely durable SCHOTT CERAN glass surface.
- Flush to the countertop design.
- New ventilation system.



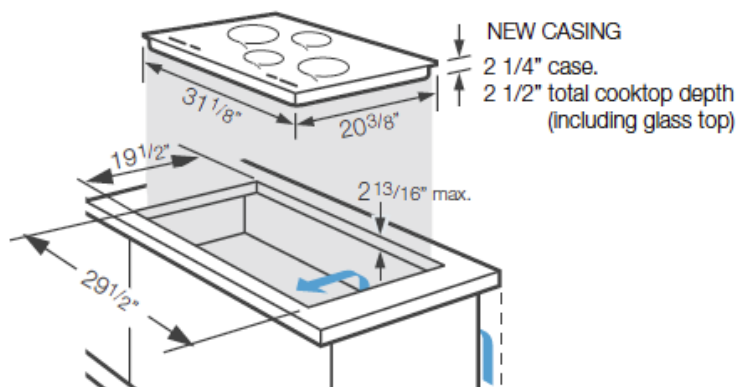
IFA-80 BF
Beveled
 Item Number: 922014866

- **New Space Saving Casing.**
 Narrowest available on the market. Allows flexibility for storage or mounting an oven beneath the unit.
- 4 cooking zones.
- Power range: 50 W- 2800 W.
- 30 Amps. Provides powerful cooking with less amperage requirement than most competitive models. Major benefit when existing electrical circuit cannot be upgraded past 30 Amps.
- Total power: 7.2 kW.
- 8 point safety system.
- 12 cook settings + quick launch setting (6: Medium, 10: High, 12: Maximum).
- Illuminated touch controls.
- Extremely durable SCHOTT CERAN glass surface.
- Flush to the countertop design.
- New ventilation system.



IFA-80 AL
Stainless Steel Trim
 Item Number: 922014090

- **New Space Saving Casing.**
 Narrowest available on the market. Allows flexibility for storage or mounting an oven beneath the unit.
- 4 cooking zones.
- Power range: 50 W- 2800 W.
- 30 Amps. Provides powerful cooking with less amperage requirement than most competitive models. Major benefit when existing electrical circuit cannot be upgraded past 30 Amps.
- Total power: 7.2 kW.
- 8 point safety system.
- 12 cook settings + quick launch setting (6: Medium, 10: High, 12: Maximum).
- Illuminated touch controls.
- Extremely durable SCHOTT CERAN glass surface.
- Stylish stainless steel trim.
- New ventilation system.



IMPORTANT: See ventilation instructions for installing these cooktops.

MINIMUM CLEARANCE
 - 30" From the cabinet above
 - 3/16" Beneath the unit with cabinetry or a Fagor oven installed /
 2" beneath the unit with a competitor brand oven installed.