

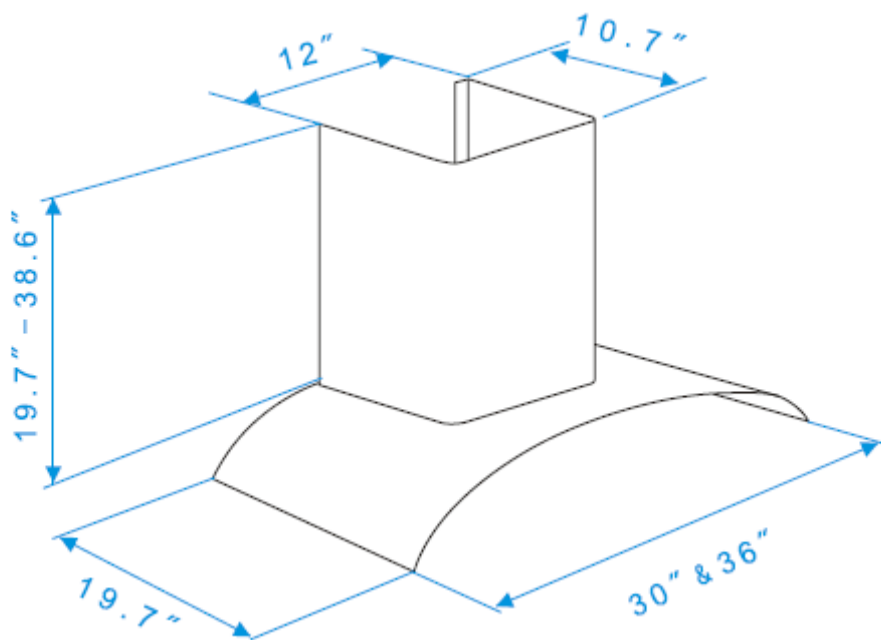
EN GUIDE TO INSTALLATION
FR GUIDE D'UTILISATION
ES MANUAL DE UTILIZACIÓN
PT MANUAL DE UTILIZAÇÃO



FAGOR 

EN	3
FR	14
ES	26
PT	38

1/ NOTICES TO THE USER	4
WARNING	5
CAUTION	6
WARNING FOR INSTALLING THE HOOD	6
2/ INSTALLING YOUR APPLIANCE	7
INSTALL THE DUCTWORK	7
INSTALL MOUNTING BRACKETS	7
INSTALL DUCT FIXING SUPPORT	7
NONE-DUCTED RECIRCULATION FILTER INSTALLATION	7
PREPARE THE HOOD	8
INSTALL THE HOOD	9
3/ USING YOUR APPLIANCE	10
OPERATION	10
4/ CARING FOR AND CLEANING YOUR APPLIANCE	11
MAINTENANCE	11
5/ TROUBLESHOOTING	12
6/ AFTER-SALES SERVICE	13



 **WARNING*****TO REDUCE THE RISK OF FIRE, ELECTRIC SHOCK, OR INJURY TO PERSONS, OBSERVE THE FOLLOWING:***

1. Use this unit only in the manner intended the manufacturer. If you have questions, contact the manufacturer at the address or telephone number listed in the warranty.
2. Before servicing or cleaning unit, switch power off at service panel and lock service panel to prevent power from being switched on accidentally. When the service disconnecting means cannot be locked, securely fasten a prominent warning device, such as a tag, to the service panel.
3. Installation work and electrical wiring must be done by a qualified person(s) in accordance with all applicable codes and standards, including fire-rated construction codes and standards.
4. Sufficient air is needed for proper combustion and exhausting of gases through the flue (chimney) of fuel burning equipment to prevent back drafting. Follow the heating equipment manufacturer's guidelines and safety standards such as those published by the National Fire Protection Association (NFPA), and the American Society for Heating, Refrigeration and Air Conditioning Engineers (ASHRAE), and the local code authorities.
5. When cutting or drilling into wall or ceiling, do not damage electrical wiring and other hidden utilities.
6. Ducted fans must always be vented to the outdoors.
7. Do not use this unit with any separate solid-state speed control device.
8. To reduce the risk of fire, use only metal ductwork.
9. This unit must be grounded.

TO REDUCE THE RISK OF A RANGE TOP GREASE FIRE:

- A. Never leave surface units unattended at high settings. Boil over cause smoking and greasy spillovers that may ignite. Heat oils slowly on low or medium settings.
- B. Always turn hood ON when cooking at high heat or when flam being food (i.e. Crepes Suzette, Cherries Jubilee, Peppercorn Beef Flam be').
- C. Clean ventilating fans frequently. Grease should not be allowed to accumulate on fan or filter.
- D. Use proper pan size. Always use cookware appropriate for the size of the surface element.

 **WARNING*****TO REDUCE THE RISK OF INJURY TO PERSONS IN THE EVENT OF A RANGE TOP GREASE FIRE, OBSERVE THE FOLLOWING:****

1. **SMOTHER FLAMES** with a close-fitting lid, cookie sheet, or metal tray, then turn off the burner. **BE CAREFUL TO PREVENT BURNS.** If the flames do not go out immediately, **EVACUATE AND CALL THE FIRE DEPARTMENT.**
2. **NEVER PICK UP A FLAMING PAN** - You may be burned.
3. **DO NOT USE WATER**, including wet dishcloths or towels - violent steam explosion will result.
4. Use an extinguisher **ONLY** if:
 - A. You know you have a Class ABC extinguisher and you already know how to operate it.
 - B. The fire is small and contained in the area where it started.
 - C. The fire department is being called.
 - D. You can fight the fire with your back to an exit.

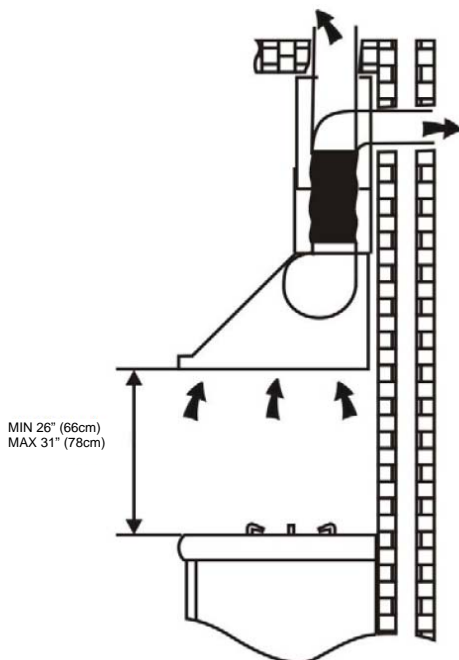
CAUTION

1. To reduce risk of fire and to properly exhaust air, be sure to duct air outside. Do not vent exhaust air into spaces within walls or ceilings or into attics, crawl spaces, or garages.
2. Take care when using cleaning agents or detergents.
3. Avoid using food products that produce flames under the Range Hood.
4. For general ventilating use only. Do not use to exhaust hazardous or explosive materials and vapors.
5. To avoid motor bearing damage and noisy and/or unbalanced impellers, keep drywall spray, construction dust, etc. off power unit.
6. Your hood motor has a thermal overload which will automatically shut off the motor if it becomes overheated. The motor will restart when it cools down. If the motor continues to shut off and restart, have the hood serviced.
7. For best capture of cooking impurities, the bottom of the hood should be a minimum of 26" (66cm) and a maximum of 31" (78cm) above the cooking surface.
8. Two installers are recommended because of the large size and weight of this hood.
9. This product is equipped with a thermostat which may start blower automatically. To reduce the risk of injury and to prevent power from being switched on accidentally, switch power off at service panel and lock or tag service panel.
10. Use with approved cord-connection kit only.
11. Please read specification label on product for further information and requirements.

WARNING FOR INSTALLING THE HOOD

Note: This range hood must be properly grounded. The unit should be installed by a qualified electrician in accordance with all applicable national and local electrical codes.

The minimum hood distance above cook top must not be less than 26" (66cm). A maximum of 31" (78cm) above cook top is highly recommended for best capture of cooking impurities. Distances over 31" (78cm) are at the installer and users discretion.

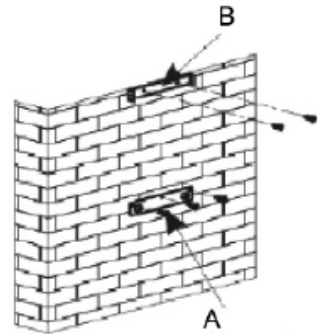


INSTALL THE DUCTWORK

1. Where the ductwork will run between the hood and the outside.
2. A straight, short duct run will allow the hood to perform most efficiently.
3. Install the Aluminum Flex duct on the vent towards hood location.

INSTALL MOUNTING BRACKETS

1. After evaluating the height of the hood, place the hook center over installation location. Drill 3 holes of $\varnothing 8\text{mm}$ on a suitable place to fix the mounting brackets.
2. Put the drywall anchors into the holes and fix the mounting screws (4x40mm) into the anchors, and install the hook on the wall as shown.

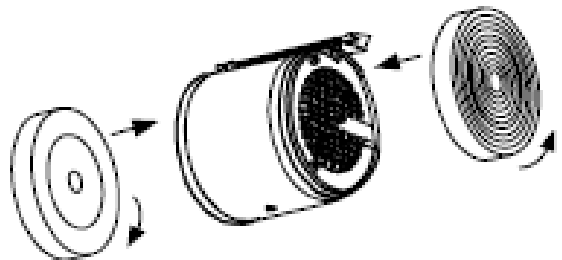


INSTALL DUCT FIXING SUPPORT

1. Calculate the final height of the U-shaped section, drill 2 holes of $\varnothing 8\text{mm}$ on a suitable place in line with the sliding duct fixing support.
2. Put the drywall anchors into the holes and fix the mounting screws (4x40mm) into the anchors, and install the hook on the wall as shown.

NON-DUCTED RECIRCULATION FILTER INSTALLATION

1. Purchase a non-ducted recirculation filter from your dealer. (The non-duct recirculation filter is optional, and bought separately)
2. Install the filter by rotating it onto the brackets which are on both sides of the motor.

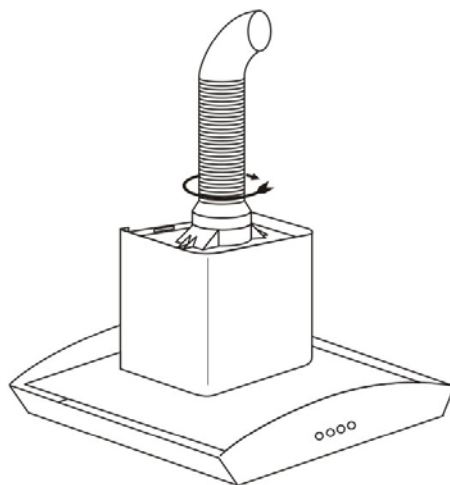
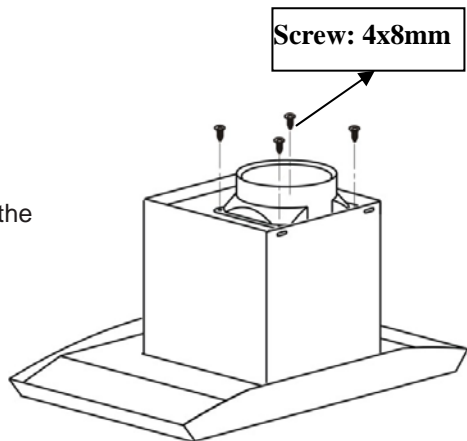


EN 2/ INSTALLING YOUR APPLIANCE

PREPARE THE HOOD

Note: On stainless steel hoods, carefully remove the plastic protective film from all exterior surfaces of the hood and decorative flues, prior to final installation.

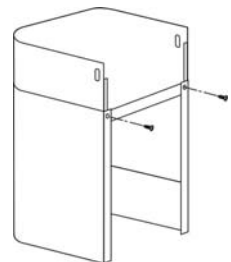
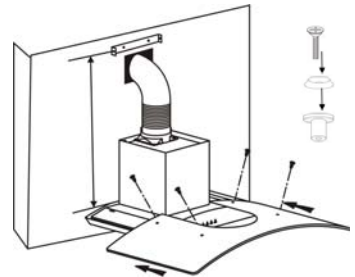
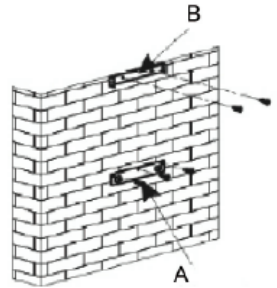
1. Pick out the hood from the carton.
2. Install the vent into the duct connector of the cooker hood.
3. Fix the extensive pipe onto the vent.



INSTALL THE HOOD

Note: at least two people will be required to mount the hood.

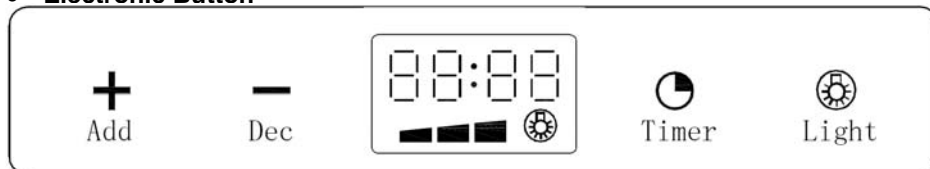
1. Raise the hood into its mounting position.
2. Align the rectangular opening on the back of the hood with the wall-mounting bracket. Gently lower the hood until it securely engages the bracket.
3. Open the Al. filter and find the two Ø8 mm holes on the back of the hood. Level the hood with 2 mounting screws (4*30mm) with washer. Use drywall anchors provided.
4. Put the glass in the lead way, use four screws (4x25mm) with glass washer and rubber washer to fix the glass. (Note: the screws and washers should be installed as shown.)
5. Measure the height of the slide duct fixing support. Adjust the height of the chimney according to the height. Then use the duct fixing support with two screws (4x8mm) to fix the chimneys. Shown as in the pic.
6. Put the chimney on the hood, use two screws(4x8mm)to fix the chimney to the duct fixing support.
7. Use the other two screws (4x8mm) to fix the bottom of chimney.
8. After adjusting the position, open the filter and fix the body inside with safety screws (4X30MM) .



OPERATION

Controls

- **Electronic Button**



A- Power on:

- Switch on the power supply, and the backlight is on, displaying “24-hour system”. The output is then blocked, and the machine enters standby status. The backlight disappears automatically 30 seconds later under the condition of non-operation.

B- Time Setting:

- To set the clock first press and hold the “⌚” indicator for 3 seconds, the first 2 digits will flash **00:00** and can be adjusted. Press the **+** key to increase the number, and the **-** key to decrease.
- Press the timer key “⌚” again and the last 2 digits will flash **00:00** and can be adjusted. Press the **+** key to increase, and the **-** key to decrease.
- Press the timer key “⌚” again and it will confirm the time setting and will also exit from this menu selection.

C- Power Setting:

The motor has 3 speeds: low, medium and high.

- Press **+** key once, the **■** is displayed on the display screen, and the motor starts operation (low position)
- Press **+** key once more at the low position, the **■ ■** is displayed on the display screen (medium position).
- Press **+** key once more at the medium position, the **■ ■ ■** is displayed on the display screen (high position).
- To decrease speed press “**■**” key once, the motor is adjusted to a lower position, and the LCD screen displays that position; the motor speed will be decreased until it reaches the off position

D- Timer Setting:

- The control system provides the option to run the motor for a predetermined time period.
- The time period can be adjusted to 3 different settings: 5 min; 15 min. or 30 min.
- The different time period can be selected by pressing the timer setting “⌚” in repetition until you reach the required period

MAINTENANCE

Proper maintenance of the Range Hood will assure proper performance of the unit.

Filters

The filters must be cleaned approximately once every 30 hours of operation.

Use a warm detergent solution. Grease filters are dishwasher safe.

Remove filter by pushing filter towards the back of hood and rotating filter downward.

Duct free(Carbon) Filters

The duct free filters should be changed every 6 months. Rotate the filters to remove and replace.

Hood Cleaning

Stainless steel is one of the easiest materials to keep clean. Occasional care will help preserve its fine appearance.

Cleaning tips:

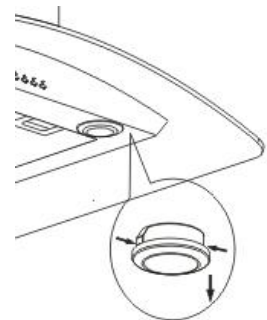
- Hot water with soap or detergent is all that is usually needed.
- Follow all cleaning by rinsing with clear water. Wipe dry with a clean, soft cloth to avoid water marks.
- For discolorations or deposits that persist, use a non-scratching household cleanser or stainless steel polishing powder with a little water and a soft cloth.
- For stubborn cases, use a plastic scouring pad or soft bristle brush together with cleaner and water. Rub lightly in direction of polishing lines or "grain" of the stainless finish. Avoid using too much pressure which may mar the surface.
- DO NOT allow deposits to remain for long periods of time.
- DO NOT use ordinary steel wool or steel brushes. Small bits of steel may adhere to the surface causing rust.
- DO NOT allow salt solutions, disinfectants, bleaches, or cleaning compounds to remain in contact with stainless steel for extended periods. Many of these compounds contain chemicals which may be harmful. Rinse with water after exposure and wipe dry with a clean cloth.

Painted surfaces should be cleaned with warm water and mild detergent only.

HALOGEN BULBS

To change bulbs:

- 1 Use a screwdriver to pull out the lampshade and get off the glass. CAUTION: BULB MAY BE HOT, PLEASE ROTATE WHEN THE BULB IS COOL!
- 2 Replace with a Type JC, 12Volt, 20Watt Max, G-4 Base bulb. Do not touch replacement bulb with bare hands!
- 3 Fix the glass and lampshade back the light after replacing the bulb.



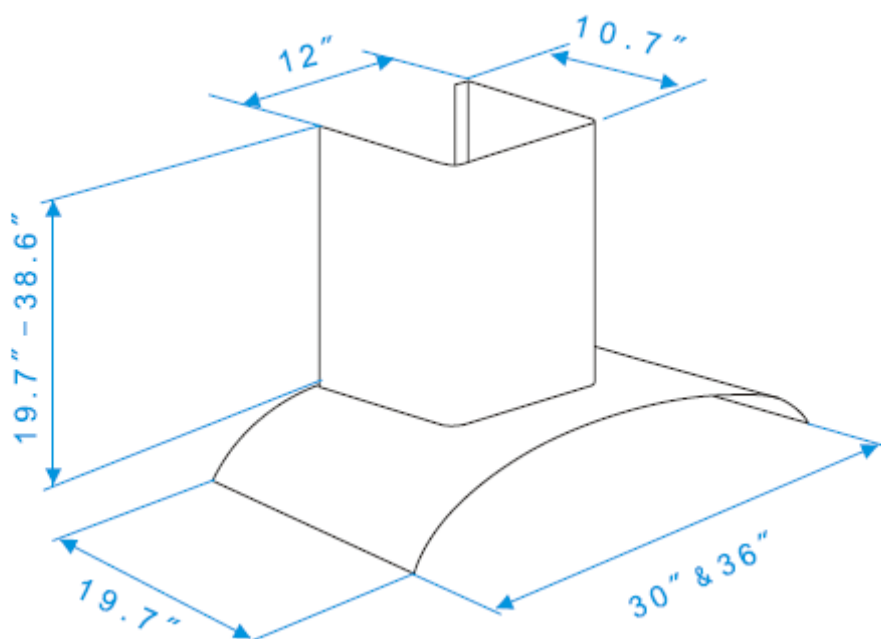
EN 5 TROUBLESHOOTING

Fault	Cause	Solution
Lights on, but motor does not work	The vent is blocked	Remove the blockage
	The capacitor is damaged	Replace capacitor
	The motor jammed causing bearing damaged	Replace motor
	A bad smell from the motor which suddenly stops working	Replace motor
Light does not work, motor does not work	Beside the above mentioned, check the following:	
	Light damaged	Replace lights
	Power cord is loose	Connect the wires as per the electric diagram
Oil leakage	Damper and the air ventilation entrance are not tightly sealed	Take down the Damper and seal with glue
	Leakage from the connection of U-shaped section and cover	Take U-shaped section down and seal
The hood is shaking	The vent is damaged and causes shaking	Replace the vent
	The motor is not tightly attached	Lock the motor tightly
	The chimney is not tightly hanged	Attach the chimney tightly
Insufficient suction	The distance between the hood and the gas top is too much	Readjust the distance
	Too much ventilation from open doors or windows	Choose a new place and re assemble the machine
The machine inclines to one side	The fixing screw not tight enough	Tighten the fixing screw and make it horizontal
	The mounting screw is not tight enough	Tighten the mounting screw and make it horizontal

Any maintenance on your equipment should be undertaken by :

- either your dealer,
 - or another qualified mechanic who is an authorized agent for the brand appliances.
- When making an appointment, state the full reference of your equipment (model, type and serial number) This information appears on the manufacturer's nameplate attached to your equipment.

1/ AVIS AUX UTILISATEURS	16
AVERTISSEMENT	17
ATTENTION	18
AVERTISSEMENT POUR L'INSTALLATION DE LA HOTTE	18
2/ INSTALLATION DE VOTRE APPAREIL	19
INSTALLATION DES CONDUITS	19
INSTALLATION DES SUPPORTS DE MONTAGE	19
INSTALLATION DU SUPPORT DE FIXATION DU CONDUIT	19
INSTALLATION DU FILTRE DE RECIRCULATION SANS CONDUIT	19
PRÉPARATION DE LA HOTTE	20
INSTALLATION DE LA HOTTE	21
3/ UTILISATION DE VOTRE APPAREIL	22
FONCTIONNEMENT	22
4/ ENTRETIEN ET NETTOYAGE DE VOTRE APPAREIL	23
ENTRETIEN	23
5/ DÉPANNAGE	24
6/ SERVICE APRÈS-VENTE	25



 AVERTISSEMENT***POUR RÉDUIRE LE RISQUE D'INCENDIE, CHOC ÉLECTRIQUE OU DE BLESSURES, RESPECTER CE QUI SUIT :***

1. N'utilisez cet appareil que de la manière prévue par le fabricant. Si vous avez des questions, contactez le fabricant à l'adresse ou au numéro de téléphone indiqués dans la garantie.
2. Avant de réparer ou de nettoyer l'appareil, coupez le courant au niveau du panneau de service et verrouillez le panneau de service pour éviter la mise en marche accidentelle. Si les dispositifs de sectionnement ne peuvent être bloqués, apposez une note d'avertissement bien visible sur le panneau de service.
3. Les travaux d'installation et le câblage électrique doivent être effectués par une/des personne(s) qualifiée(s) en conformité avec tous les codes et normes applicables, y compris les codes et normes sur les constructions antidéflagrantes.
4. L'air doit être suffisant pour une bonne combustion et évacuation des gaz par le conduit de fumée (cheminée) de l'appareil de combustion pour prévenir un refoulement de l'air. Suivez les directives du fabricant de l'équipement de chauffage et les normes de sécurité telles que celles publiées par l'Association National Fire Protection (NFPA), et l'American Society for Heating, Refrigeration and Air Conditioning Engineers (ASHRAE), et les autorités locales compétentes.
5. Assurez vous de ne pas endommager les fils électriques ou d'autres équipements cachés lorsque vous percez des trous dans le mur ou le plafond.
6. Les hottes canalisées doivent toujours être éventées à l'extérieur.
7. N'utilisez pas cette hotte avec un dispositif de commande de vitesse à semi-conducteur.
8. Afin de réduire le risque d'incendie, utilisez uniquement des conduits en métal.
9. Cet appareil doit être mis à la terre.

POUR RÉDUIRE LE RISQUE D'INCENDIE DE CUISINIÈRE :

- A. Ne laissez jamais les éléments de surface allumés à haute température sans surveillance. Les débordements provoquent de la fumée et des salissures grasses qui peuvent s'enflammer.. Chauffez les huiles graduellement à feu doux ou moyen.
- B. Mettez toujours la hotte en MARCHE lorsque vous cuisinez à feu fort ou lorsque vous faites flamber des aliments (p. ex. crêpes Suzette, cerises jubilé, bifteck au poivre flambé).
- C. Nettoyez fréquemment les ventilateurs de la hotte. La graisse ne devrait jamais s'accumuler dans les ventilateurs ou les filtres.
- D. Utilisez des poêlons aux dimensions adéquates. Utilisez toujours une batterie de cuisine correspondant aux dimensions de l'élément.

 AVERTISSEMENT***POUR RÉDUIRE LES RISQUES DE BLESSURE LORS D'UN INCENDIE SUR LA SURFACE DE CUISSON, SUIVEZ LES INSTRUCTIONS SUIVANTES :****

1. ÉTOUFFEZ LES FLAMMES à l'aide d'un couvercle étanche, une plaque à biscuits ou un plateau de métal, puis éteignez le brûleur. PRENEZ GARDE AUX RISQUES DE BRÛLURE. Si les flammes ne s'éteignent pas immédiatement, ÉVACUEZ LES LIEUX ET APPELEZ LE SERVICE D'INCENDIE.
2. NE PRENEZ JAMAIS UN POÊLON EN FEU - vous pourriez vous brûler.
3. N'UTILISEZ PAS D'EAU, ou un linge à vaisselle mouillé – une violente explosion de vapeur s'ensuivra.
4. Utilisez un extincteur SEULEMENT si :
 - A. Vous savez que vous avez un extincteur de classe ABC et vous savez déjà vous en servir.
 - B. Le feu est faible et ne s'est pas répandu depuis son point d'origine.
 - C. Le service d'incendie a été appelé.
 - D. Vous pouvez sortir facilement de l'endroit où vous combattez le feu.

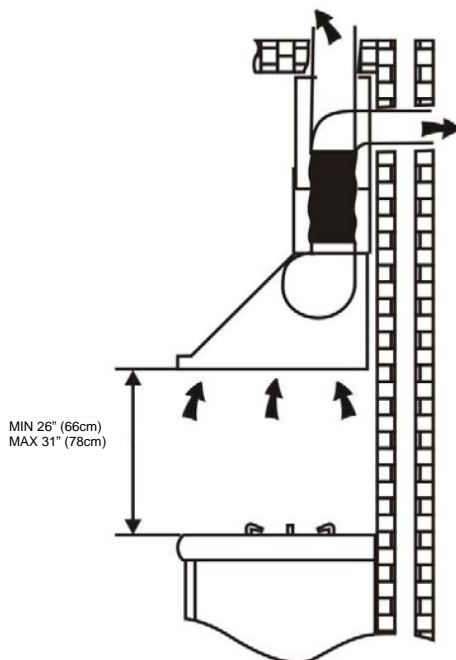
ATTENTION

1. Pour réduire tout risque d'incendie et pour assurer une évacuation d'air appropriée, évacuer l'air vers l'extérieur. Ne pas évacuer l'air dans les espaces entre les murs ou plafonds ou dans le grenier, les vides sanitaires ou les garages.
2. Prenez garde lorsque vous utilisez des agents nettoyants ou des détergents.
3. Évitez d'utiliser des produits alimentaires qui produisent des flammes sous la hotte.
4. Pour ventilation générale seulement. N'utilisez pas cet appareil pour évacuer des vapeurs et des matériaux explosifs ou dangereux.
5. Pour éviter des dommages aux roulements des moteurs et/ou des hélices bruyantes ou déséquilibrées, empêcher la poussière de cloison sèche, poussière de construction, etc., d'atteindre l'unité de puissance.
6. Le moteur de votre hotte dispose d'une protection thermique qui éteindra automatiquement le moteur s'il devient surchauffé. Le moteur redémarre quand il se refroidit. Si le moteur continue de s'arrêter et de redémarrer, faites-le vérifier.
7. Pour une meilleure évacuation des odeurs de cuisson, le fond de la hotte devrait être à un minimum de 26" po (66cm) et un maximum de 31" po (78cm) au-dessus de la surface de cuisson.
8. Deux installateurs sont recommandés en raison de la grande taille et le poids de cette hotte.
9. Ce produit est équipé d'un thermostat pouvant faire démarrer le ventilateur automatiquement. Pour réduire le risque de blessure et pour éviter une mise en marche accidentelle, coupez le courant au niveau du panneau de service et verrouillez ou étiquetez le panneau de service.
10. Utilisez-le seulement avec le cordon d'alimentation de la trousse approuvée.
11. Pour plus d'informations et exigences, veuillez lire les autocollants apposés sur et à l'intérieur de votre appareil.

AVERTISSEMENT POUR L'INSTALLATION DE LA HOTTE

Remarque : Cette hotte de cuisinière doit être correctement mise à la terre. L'appareil doit être installé par un électricien qualifié en conformité avec les codes électriques nationaux et locaux.

La distance minimale entre le bas de votre hotte encastrable et le plan de cuisson ne doit pas être inférieure à 26" po (66cm). Un maximum de 31" po (78cm) au-dessus du plan de cuisson est fortement recommandé pour une meilleure évacuation des odeurs de cuisine. Les distances plus de 31" po (78cm) sont à la discrétion de l'installateur et des utilisateurs.

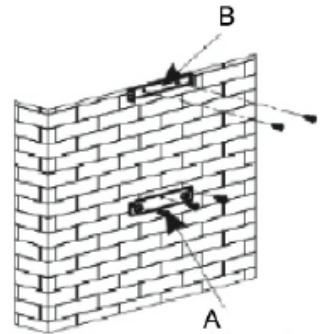


INSTALLATION DES CONDUITS

1. Près du lieu où le conduit passera, entre la hotte et l'extérieur.
2. Un conduit droit et court permettra à votre hotte de fonctionner plus efficacement.
3. Installez le conduit d'aluminium Flex sur l'orifice de ventilation vers l'emplacement de la hotte.

INSTALLATION DES SUPPORTS DE MONTAGE

1. Après avoir évalué la hauteur de la hotte, placez le centre du crochet au-dessus de l'emplacement d'installation. Percez 3 trous avec un diamètre de 8 mm sur un endroit approprié pour fixer les supports de montage.
2. Mettez les ancrages muraux dans les trous et fixez les vis de montage (4x40 mm) dans les ancrages, puis fixez le crochet sur le mur, comme indiqué.

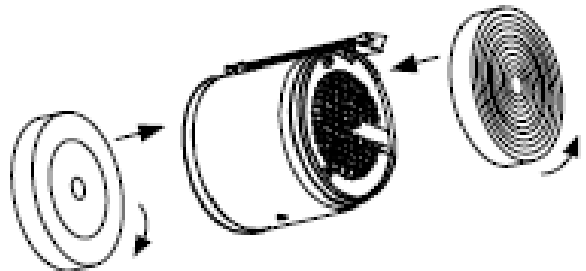


INSTALLATION DU SUPPORT DE FIXATION DU CONDUIT

1. Calculez la hauteur finale de la section en forme d'U, percez 2 trous avec un diamètre de 8 mm sur un endroit approprié en ligne avec le support glissant de fixation du conduit.
2. Mettez les ancrages muraux dans les trous et fixez les vis de montage (4x40 mm) dans les ancrages, puis fixez le crochet sur le mur, comme indiqué.

INSTALLATION DU FILTRE DE RECIRCULATION SANS CONDUIT

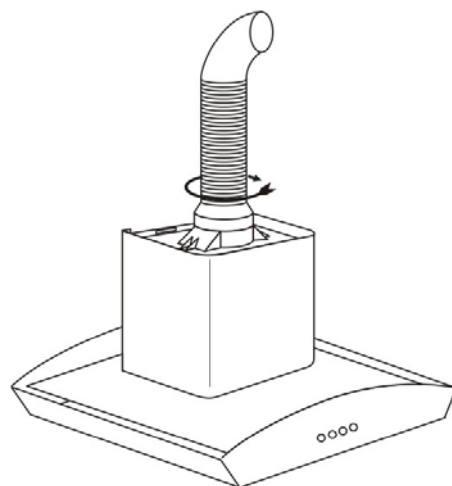
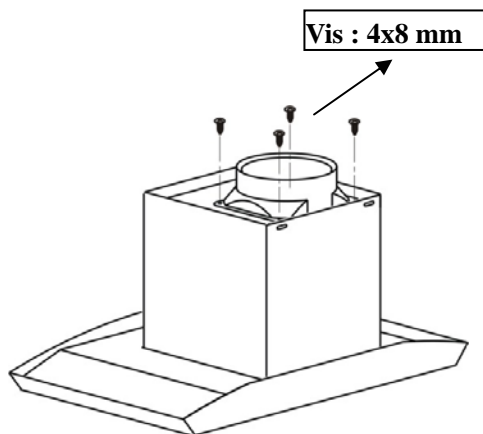
1. Achetez un filtre de recirculation sans conduit auprès de votre revendeur. (Le filtre de recirculation sans conduit est facultatif ; vous pouvez donc l'acheter séparément)
2. Installez le filtre en le tournant sur l'équipement qui est situé sur deux côtés du moteur.



PRÉPARATION DE LA HOTTE

Remarque : Sur les hottes en acier inoxydable, retirez délicatement le film plastique protecteur de toutes les surfaces extérieures de la hotte et les conduits de fumée décoratifs, avant l'installation finale.

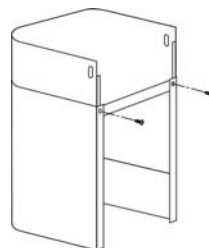
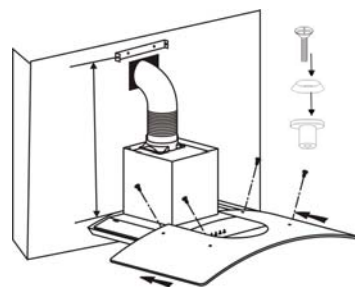
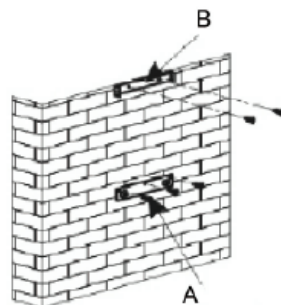
3. Retirez la hotte de la boîte.
4. Installez l'orifice de ventilation dans le raccord de conduits de la hotte.
5. Fixez le tube vaste sur l'orifice de ventilation.



INSTALLATION DE LA HOTTE

Remarque : au moins deux personnes seront nécessaires pour installer la hotte.

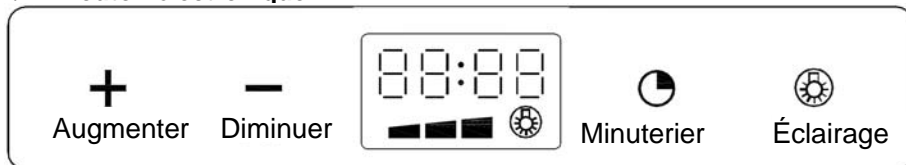
1. Soulevez la hotte dans sa position de montage.
2. Alignez l'ouverture rectangulaire à l'arrière de la hotte à l'aide du support de fixation murale. Abaissez délicatement la hotte jusqu'à ce qu'elle s'emboîte avec le support.
3. Ouvrez le filtre d'aluminium et trouvez les deux trous de 8 mm de diamètre à l'arrière de la hotte. Nivelez la hotte avec 2 vis de fixation (4*30 mm) à l'aide d'une rondelle. Utilisez les ancrages muraux fournis.
4. Mettez la vitre dans le passage, utilisez quatre vis (4x25 mm) avec la rondelle de verre et de la rondelle en caoutchouc pour fixer la vitre. (Remarque : les vis et les rondelles doivent être installées comme indiqué.)
5. Mesurez la hauteur du support glissant de fixation du conduit. Réglez la hauteur de la cheminée en fonction de la hauteur. Ensuite, utilisez le support de fixation du conduit avec deux vis (4x8 mm) pour fixer les cheminées. Indiqué comme dans l'illustration.
6. Mettez la cheminée sur la hotte, utilisez deux vis (4x8 mm) pour fixer la cheminée dans le support de fixation du conduit.
7. Utilisez les autres deux vis (4x8 mm) pour fixer le bas de la cheminée.
8. Après le réglage de la position, ouvrez le filtre et fixez le corps à l'intérieur à l'aide des vis de sécurité (4X30 mm).



FONCTIONNEMENT

Commandes


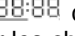

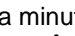

λ Bouton électronique



A-Alimentation :


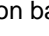
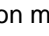
- Enclenchez l'alimentation ; le rétro-éclairage s'allume et affiche « système de 24 heures ». La sortie est ensuite bloquée, et la machine passe en état de veille. Le rétro-éclairage disparaît automatiquement après 30 secondes de non-fonctionnements.

B-Réglage de l'heure :

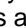
- Pour régler l'horloge, appuyez d'abord sur l'indicateur «  » pendant 3 secondes ; les 2 premiers chiffres de  clignoteront et pourront être ajustés. Appuyez sur la touche **+** pour augmenter les chiffres, et sur la touche **-** pour les diminuer.
- Appuyez sur la touche de la minuterie «  » pour la 2ème fois ; les 2 derniers chiffres clignoteront  et pourront être ajustés. Appuyez sur la touche **+** pour augmenter les chiffres, et sur la touche **-** pour les diminuer.
- Appuyez sur la touche de la minuterie «  » pour la 3ème fois pour confirmer le réglage du temps et quitter ce menu.

C-Réglage de la puissance :

Le moteur dispose de 3 vitesses : bas, moyen et élevé.

- Appuyez une fois sur la touche **+** pour afficher  sur l'écran, et mettre le moteur en fonction (position basse)
- Appuyez de nouveau sur la touche **+** à la position basse pour afficher  sur l'écran (position moyenne).
- Appuyez de nouveau sur la touche **+** à la position moyenne pour afficher  sur l'écran (position haute).
- Pour diminuer la vitesse, appuyez une fois sur la touche « **-** » pour régler le moteur à une position inférieure ; l'écran LCD affichera ladite position ; la vitesse du moteur sera diminuée jusqu'à ce qu'il atteigne la position d'arrêt

D- Réglage de la minuterie :

- Le module de commande fournit la possibilité de faire fonctionner le moteur pendant une période de temps prédéterminée.
- Le délai peut être réglé sur 3 paramètres différents : 5 min, 15 min ou 30 min.
- Le délai de temps différent peut être sélectionné en appuyant sur la touche de réglage de la minuterie «  » plusieurs fois jusqu'à ce que vous atteigniez le délai requis.

ENTRETIEN

Un bon entretien de votre hotte en garantira une excellente performance.

Filtres

Les filtres doivent être nettoyés environ une fois toutes les 30 heures de fonctionnement.

Utilisez une solution tiède de détergent. Les filtres à graisse sont lavables au lave-vaisselle.

Retirez les filtres en les poussant vers l'arrière de la hotte et en les tournant vers le bas.

Filtres de carbone sans conduits

Les filtres sans conduit doivent être changés tous les 6 mois. Tournez les filtres pour enlever et remplacer.

Nettoyage de la hotte

L'acier inoxydable est l'un des matériaux le plus facile

à garder propre. Un entretien occasionnel aidera à préserver sa belle apparence.

Conseils de nettoyage :

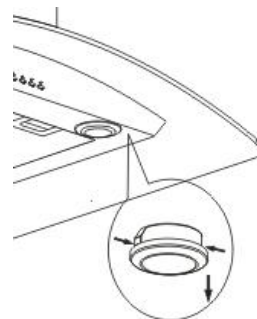
- De l'eau chaude avec du savon ou détergent est tout ce qui est habituellement nécessaire.
- Après le nettoyage, rincez à l'eau claire. Essuyez avec un chiffon doux et propre pour éviter de laisser des traces d'eau.
- Si les décolorations ou les dépôts persistent, utilisez un nettoyant domestique non abrasif ou une poudre de polissage de l'acier inoxydable avec un peu d'eau et un chiffon doux.
- Dans les cas difficiles, utilisez une éponge en plastique ou une brosse en soie souple avec nettoyant et eau. Frottez légèrement dans la direction des lignes de polissage ou « grain » de la surface d'acier inoxydable. Évitez d'appliquer trop de pression car cela pourrait endommager la surface.
- NE PAS laisser les dépôts s'accumuler pendant de longues périodes de temps.
- NE PAS utiliser de laine d'acier commune ou de brosses en acier. De petits morceaux d'acier peuvent adhérer à la surface, provoquant la rouille.
- NE PAS laisser les solutions salines, les désinfectants, les blanchissants ou les produits nettoyants rester en contact avec l'acier inoxydable pour des périodes prolongées. Bon nombre de ces solutions contiennent des produits chimiques qui peuvent être nuisibles. Rincez à l'eau après l'exposition et séchez à l'aide d'un chiffon propre.

Les surfaces peintes doivent être nettoyées avec de l'eau chaude et seulement du détergent doux.

AMPOULES HALOGENES

Pour remplacer les ampoules :

1. Utilisez un tournevis pour retirer l'abat-jour et retirer la vitre. ATTENTION : L'AMPOULE PEUT ÊTRE CHAUDE, TOURNEZ-LA SEULEMENT LORSQU'ELLE EST FROIDE !
2. Remplacez-la avec une ampoule de base type JC, 12 volts, 20 watts max, G-4. Ne touchez pas l'ampoule de rechange avec les mains nues !
3. Fixez la vitre et remettez l'abat-jour en place après le remplacement de l'ampoule.



Défaillance	Cause	Solution
Lampe allumée, mais le moteur ne fonctionne pas	Feuille bloquée	Éliminez le blocage
	Condensateur endommagé	Remplacez le condensateur
	Roulement de coincement du moteur endommagé	Remplacez le moteur
	Moteur éteint ou une mauvaise odeur provenant du moteur	Remplacez le moteur
La lampe ne fonctionne pas, le moteur ne fonctionne pas	À côté de ce qui précède, vérifiez les points suivants :	
	Lampe endommagée	Remplacez les lampes
	Détachement du cordon d'alimentation	Raccordez les fils selon le schéma électrique
Fuite d'huile	L'amortisseur et l'orifice de ventilation ne sont pas fermés hermétiquement	Démontez l'amortisseur et étanchez avec de la colle
	Fuite à partir du raccord entre la section en U et le couvercle	Démontez la section en U et étanchez-la avec du savon ou de la peinture
Agitez le corps	La feuille est endommagée et provoque des tremblements	Remplacez la feuille
	Le moteur n'est pas bien pendu	Verrouillez le moteur serré
	Le corps n'est pas bien accroché	Fixez le corps en le serrant
Aspiration insuffisante	La distance entre le corps et la cuisinière au gaz est trop longue	Réajustez la distance
	Trop de ventilation à partir des portes ou des fenêtres	Choisissez un nouvel endroit et remontez la machine
La machine est penchée	Vis de fixation pas assez serrée	Serrez la vis de fixation et rendez-la horizontale
	Vis de montage pas assez serrée	Serrez la vis de montage et rendez-la horizontale

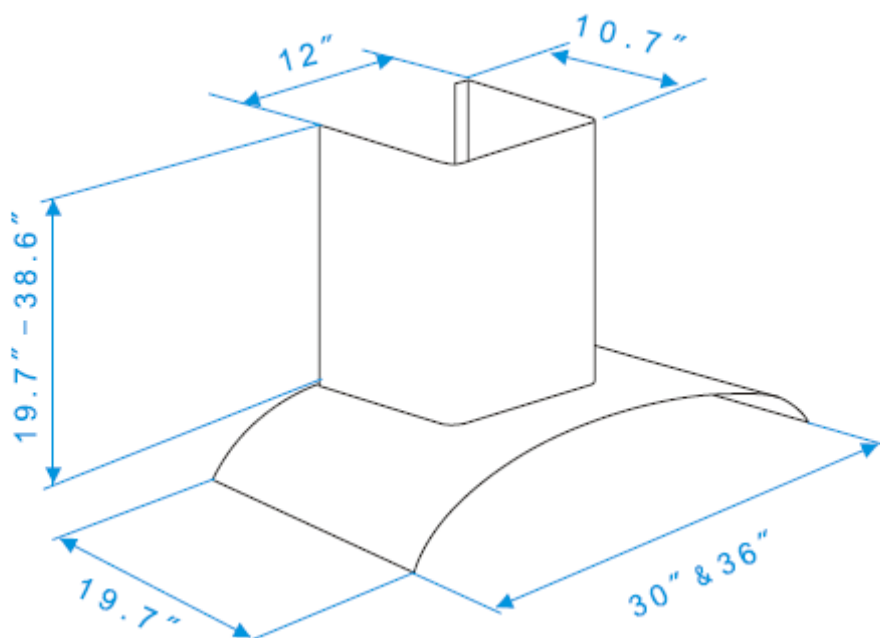
Tout entretien de votre équipement devrait être effectué par:

— votre revendeur

— ou un autre mécanicien qualifié qui est agent agréé pour les appareils de marque.

Lorsque vous prenez un rendez-vous, indiquez la référence complète de votre équipement (modèle, type et numéro de série). Ces informations se trouvent sur la plaque signalétique du fabricant apposée sur votre équipement.

1/ AVISO A LOS USUARIOS	28
ADVERTENCIA.....	29
PRECAUCIÓN	30
ADVERTENCIA SOBRE LA INSTALACIÓN DE LA CAMPANA	30
2/ INSTALACION DE SU APARATO	31
INSTALACIÓN DEL DUCTO	31
INSTALACIÓN DE LOS SOPORTES DE MONTAJE.....	31
INSTALACIÓN DEL SOPORTE DE FIJACIÓN DEL DUCTO.....	31
INSTALACIÓN DEL FILTRO DE RECIRCULACIÓN SIN DUCTO	31
PREPARE LA CAMPANA.....	32
INSTALACIÓN DE CAMPANA	33
3/ USO DE SU APARATO	34
OPERACIÓN	34
4/ MANTENIMIENTO Y LIMPIEZA DE SU APARATO.....	35
MANTENIMIENTO	35
5/ TROUBLESHOOTING	36
6/ SERVICIO POSTVENTA.....	37



  ADVERTENCIA**PARA REDUCIR EL RIESGO DE INCENDIOS, DESCARGAS ELÉCTRICAS O LESIONES FÍSICAS, TENGA PRESENTE LO SIGUIENTE:**

1. Utilice esta unidad solo de la forma pretendida por el fabricante. Si tiene dudas, póngase en contacto con el fabricante en la dirección o número telefónico indicados en la garantía.
2. Antes de realizar el servicio o la limpieza de la unidad, apague la alimentación en el panel de servicio y bloquee el panel de servicio para evitar que se active la alimentación accidentalmente. Cuando se desconecte el servicio y no se pueda bloquear, coloque un dispositivo de advertencia perfectamente visible, por ejemplo una bolsa, en el panel de servicio.
3. El trabajo de instalación y las conexiones eléctricas deben realizarse por el personal cualificado en conformidad con todos los códigos y estándares aplicables, incluidos aquellos relacionados con la construcción contra incendios.
4. Es necesario proporcionar suficiente ventilación para la correcta combustión y para los gases de escape a través del ducto (chimenea) del equipo de combustión para evitar que se regresen los gases de escape. Siga las instrucciones proporcionadas por el fabricante del equipo así como los estándares de seguridad tales como los publicados por la Asociación Nacional de Protección contra Incendios (NFPA) y la Sociedad Americana de Ingenieros de calefacción, refrigeración y acondicionadores de aire (ASHRAE), así como los códigos de la autoridad local.
5. Cuando corte o perfore un muro o techo, no dañe el cableado eléctrico así como tampoco las instalaciones ocultas.
6. Los ventiladores con ductos siempre deben dirigir el flujo de aire hacia el exterior.
7. No utilice esta unidad con dispositivos de control de velocidad en estado sólido por separado.
8. Para reducir el riesgo de incendios, utilice solamente ductos de metal.
9. Esta unidad debe estar puesta a tierra.

Para REDUCIR EL RIESGO DE INCENDIOS PROVOCADO POR GRASA:

- A. Nunca deje las unidades superficiales sin supervisión en un ajuste alto. Los derrames pueden generar humo y si tienen grasa pueden ocasionar un incendio. Se puede calentar aceite lentamente en los ajustes bajos o medianos.
- B. Siempre encienda la campana al cocinar a alta temperatura o cuando haga un flambeado (por ejemplo Crepas Suzette, Cerezas Jubilee, Res flambeada, etc.).
- C. Limpie los ventiladores con frecuencia. La grasa no debe acumularse en el ventilador o en el filtro.
- D. Utilice el tamaño adecuado de utensilios para cocinar. Siempre utilice utensilios de cocina adecuados para el tamaño de la superficie.

  ADVERTENCIA**PARA REDUCIR EL RIESGO DE SUFRIR LESIONES FÍSICAS EN CASO DE UN INCENDIO OCASIONADO POR GRASAS, TENGA PRESENTE LO SIGUIENTE:***

1. SOFOQUE LAS LLAMAS con tapas cerradas, láminas para galletas o bandejas de metal, después apague la hornilla. TENGA CUIDADO PARA EVITAR QUEMADURAS. Si las llamas no se apagan de inmediato, EVACUE Y LLAME AL DEPARTAMENTO DE BOMBEROS.
2. NUNCA RECOJA UN UTENSILIO DE COCINA CON LLAMAS - Se puede quemar.
3. NO UTILICE AGUA, incluidas las prendas o toallas húmedas de cocina - puede producir una explosión de vapor violenta.
4. Utilice un extinguidor SOLO si:
 - A. Sabe que tiene un extinguidor de clase ABC y sabe cómo operarlo.
 - B. El incendio es pequeño y se puede contener en el área donde se generó.
 - C. Ha llamado al departamento de bomberos.
 - D. Puede apagar el incendio con su espalda orientada hacia la salida.

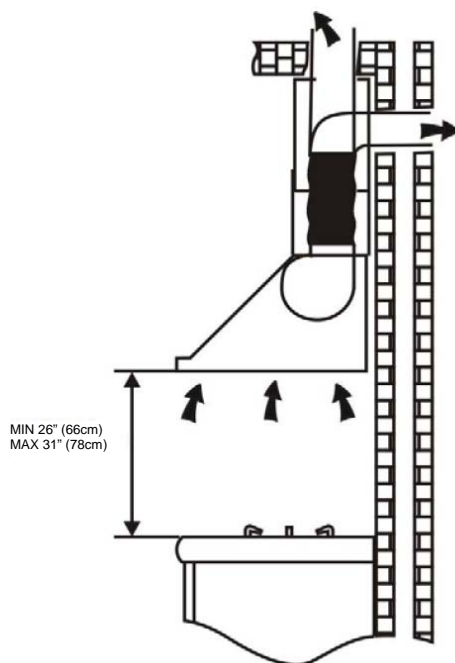
! PRECAUCIÓN

1. Para reducir el riesgo de incendios y dejar que el aire escape correctamente, asegúrese de que el ducto de aire salga al exterior. No ventile el aire de escape en espacios comprendidos dentro de muros o techos, o en áticos, espacios reducidos o garajes.
2. Tenga cuidado al usar los agentes de limpieza o detergentes.
3. Evite usar productos alimenticios que produzcan llamas debajo de la campana.
4. Sólo para ventilación general únicamente. No utilice materiales ni vapores explosivos o peligrosos.
5. Para evitar que se dañe el motor, se produzcan ruidos y/o que la turbina se desbalancee, evite rociar/espolvorear yeso, polvo de construcción, etc., cuando el aparato este encendido.
6. El motor de la campana tiene un disyuntor de sobrecalentamiento que automáticamente apagará el motor si se llega a sobrecalentar. El motor se reiniciará cuando se enfríe. Si el motor se apaga y se reinicia, llévalo a servicio.
7. Para capturar mejor las impurezas durante la cocción, la parte inferior de la campana debe tener un mínimo de 26" (66cm) y un máximo de 31" (78cm) encima de la superficie de cocción.
8. Se recomienda que dos personas realicen la instalación por el gran tamaño y el peso de esta campana.
9. Este producto está equipado con un termostato que puede iniciar el soplador de forma automática. Para reducir el riesgo de lesiones y evitar que se encienda la alimentación de forma accidental, apague la alimentación en el panel de servicio y bloquee o etiquete el mismo.
10. Utilice solamente un kit de conexión de cable aprobado.
11. Lea la etiqueta de especificaciones del producto para obtener más información así como los requerimientos.

ADVERTENCIA SOBRE LA INSTALACIÓN DE LA CAMPANA

Nota: Esta campana debe conectarse a tierra correctamente. La unidad debe ser instalada por un electricista cualificado en conformidad con todos los códigos nacionales aplicables y eléctricos locales.

La distancia mínima de la campana encima de la parte superior no debe ser menor a 26" (66cm). Se recomienda un máximo de 31" (78cm) por encima de la parte superior para capturar de la mejor forma posible de las impurezas de cocción. Las distancias superiores a las 31" (78cm) serán bajo la discreción del instalador y del usuario

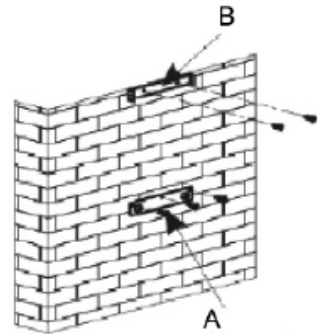


INSTALACIÓN DEL DUCTO

1. En el espacio donde el ducto pasará entre la campana y el exterior.
2. Un ducto recto y corto permitirá que la campana funcione de la forma más eficiente.
3. Instale el ducto flexible de aluminio con el tiro orientado hacia la ubicación de la campana.

INSTALACIÓN DE LOS SOPORTES DE MONTAJE

1. Después de evaluar la altura de la campana, coloque el centro del gancho en el sitio de instalación. Perfore 3 orificios de Ø8mm en un lugar adecuado para fijar los soportes de montaje.
2. Coloque los anclajes para sello en los orificios y fije los tornillos de montaje (4x40mm) en los anclajes e instale el gancho en la pared tal como se indica.

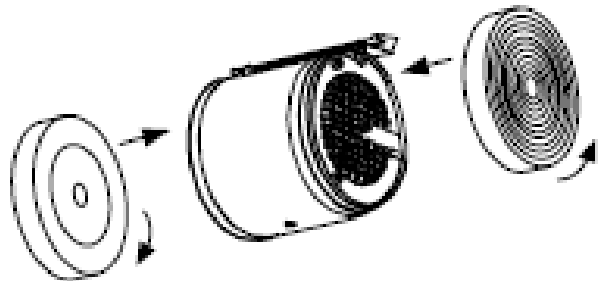


INSTALACIÓN DEL SOPORTE DE FIJACIÓN DEL DUCTO

1. Calcule la altura final de la sección en forma de U, perfore 2 orificios de Ø8mm en un lugar adecuado en línea con el soporte de fijación del ducto.
2. Coloque los anclajes para yeso en los orificios y fije los tornillos de montaje (4x40mm) en los anclajes e instale el gancho en la pared como se indica.

INSTALACIÓN DEL FILTRO DE RECIRCULACIÓN SIN DUCTO

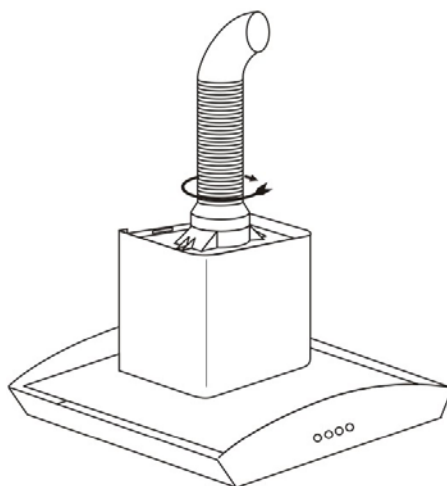
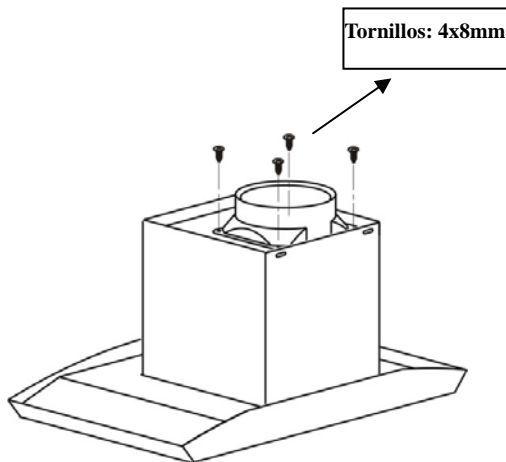
1. Compre un filtro de recirculación sin ducto con su proveedor. (Este filtro es opcional y se compra de forma separada)
2. Instale el filtro girándolo en el equipo ubicado en ambos lados del motor.



PREPARE LA CAMPANA

Nota: En campanas de acero inoxidable, quite cuidadosamente la película protectora de plástico de todas las superficies exteriores de la campana y de las decoraciones, antes de la instalación final.

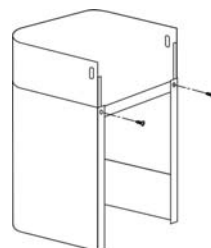
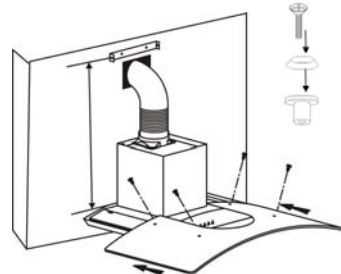
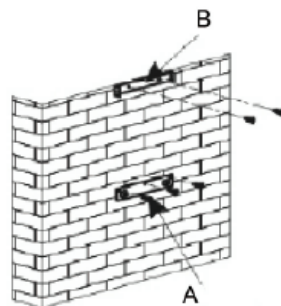
3. Saque la campana del cartón.
4. Instale la ventilación en el conector del ducto de la campana.
5. Fije el tubo de extensión en la ventilación.



INSTALACIÓN DE CAMPANA

Nota: Tenga en cuenta que se requieren al menos dos personas para montar la campana.

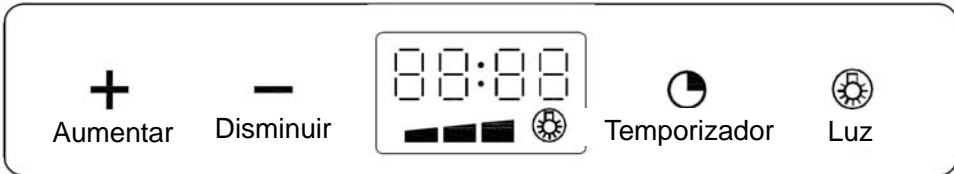
1. Levante la campana hasta la posición de montaje.
2. Alinee la apertura rectangular de la parte trasera de la campana con el soporte de montaje para pared. Suavemente baje la campana hasta que se enganche de forma segura con el soporte.
3. Abra el filtro y encuentre los dos orificios de 8mm de diámetro en la sección posterior del techo. Nivele el techo con 2 tornillos de montaje (4*30mm) y una arandela. Utilice las anclas de pared suministradas.
4. Ubique el vidrio en su posición, utilice cuatro tornillos (4x25mm) con la arandela para vidrio y la arandela de goma para fijar el vidrio. (Nota: los tornillos y arandelas deben instalarse tal como se muestra en la figura.)
5. Mida la altura del soporte de fijación del ducto deslizante. Ajuste la altura de la chimenea en relación con la altura. Acto seguido use el soporte de fijación del ducto con dos tornillos (4x8mm) para fijar las chimeneas. Como se indica en la imagen.
6. Coloque la chimenea en la campana, utilice dos tornillos (4x8mm) para fijar la chimenea en el soporte de fijación de ducto.
7. Utilice los dos tornillos (4x8mm) para fijar la parte inferior de la chimenea.
8. Después de ajustar la posición, abra el filtro y fije el cuerpo en el interior con tornillos de seguridad (4x30mm).



OPERACIÓN

Controles

• Botón electrónico



A- Encendido:

- Activa el suministro de energía, y la luz de fondo se ilumina, mostrando "sistema de 24 horas". Luego se bloquea, y el equipo ingresa al modo inactivo. La luz de fondo desaparece automáticamente al transcurrir 30 segundos sin hacer ninguna selección.

B- Ajuste de la hora:

- Para ajustar la hora, primero presione el indicador "⌚" durante 3 segundos; los primeros dos dígitos parpadearán **88:88** y podrán ajustarse. Presione la tecla **+** para aumentar el dígito, y la tecla **-** para disminuirlo.
- Presione la tecla temporizador "⌚" nuevamente y los últimos 2 dígitos parpadearán **88:88**. Y podrán ajustarse. Presione la tecla **+** para aumentar el dígito, y la tecla **-** para disminuir.
- Presione la tecla "⌚" por tercera vez para confirmar la hora ajustada y para salir del menú.

Ajuste de encendido C:

El motor tiene 3 velocidades: baja, media, y alta.

- Presione la tecla **+** una vez; aparecerá el ícono en la pantalla y el motor comienza a operar (posición baja)
- Presione la tecla **+** otra vez; aparecerá el ícono en la pantalla y el motor comienza a operar (posición media)
- Presione la tecla **+** otra vez; aparecerá el ícono en la pantalla y el motor comienza a operar (posición alta)
- Para disminuir la velocidad, presione una vez la tecla "**-**", el motor se ajusta a la posición baja, y la pantalla LCD muestra esa posición; la velocidad del motor disminuirá hasta llegar a la posición de apagado.

Ajuste de temporizador D:

- El panel de control ofrece la opción de ejecutar el motor por un período de tiempo predeterminado.
- El período de tiempo puede ajustarse en tres modos diferentes: 5 min; 15 min. o 30 min.
- Los períodos de tiempo pueden seleccionarse al presionar el ajuste de temporizador "⌚" repetidamente hasta llegar al período requerido.

MANTENIMIENTO

El correcto mantenimiento de la campana asegurará el correcto desempeño de la unidad.

Filtros

Los filtros deben limpiarse aproximadamente una vez cada 30 horas de operación.

Utilice una solución detergente caliente. Los filtros de grasa son seguros para lavavajillas.

Quite el filtro empujando los filtros hacia la parte posterior de la campana y girando el filtro hacia abajo.

Filtros libres del ducto (filtros de carbón)

Los filtros de carbón deben cambiarse cada 6 meses. Gire los filtros para quitarlos y cambiarlos.

Limpieza de la campana

El acero inoxidable es uno de los materiales más fáciles de limpiar. El cuidado ocasional ayudará a conservar su apariencia.

Consejos de limpieza:

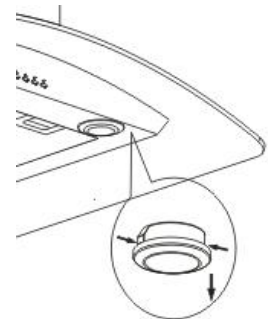
- Utilice agua caliente con jabón o detergente.
- Continúe la limpieza enjuagando con agua limpia. Limpie con un paño limpio, seco y suave para evitar marcas.
- Para manchas o depósitos persistentes, utilice un limpiador doméstico no abrasivo o pulidor de acero inoxidable con un poco de agua y un paño suave.
- Para los casos más difíciles, utilice una almohadilla de plástico para fregar o un cepillo suave con limpiador y agua. Frote ligeramente en la dirección de las líneas de pulido o los "granos" del acabado inoxidable. Evite usar una excesiva presión que pueda dañar la superficie.
- NO deje que ningún depósito permanezca por largos periodos de tiempo.
- NO utilice lana de acero común ni cepillos de acero. Se pueden adherir pequeñas cantidades de acero a la superficie y ocasionar corrosión.
- NO permita que soluciones de sal, desinfectantes, blanqueadores o compuestos de limpieza entren en contacto con el acero inoxidable por periodos prolongados. Muchos de estos compuestos contienen químicos que pueden ser perjudiciales. Enjuague con agua después de la exposición y limpie con un paño seco y limpio.

Las superficies pintadas deben limpiarse con agua tibia y detergente suave.

BOMBILLAS DE HALÓGENO

Para cambiar las bombillas:

1. Utilice un destornillador para extraer la pantalla y sacar el cristal **PRECAUCIÓN: ¡LA BOMBILLA PUEDE ESTAR CALIENTE, GÍRELA CUANDO ESTE FRÍA!**
2. Cámbiela por una del tipo JC, de 12 voltios, 20 Watts máximo, de base G-4. ¡No toque la bombilla de recambio con las manos descubiertas!
3. Fije el cristal y regrese a su sitio la pantalla después de cambiar la bombilla.



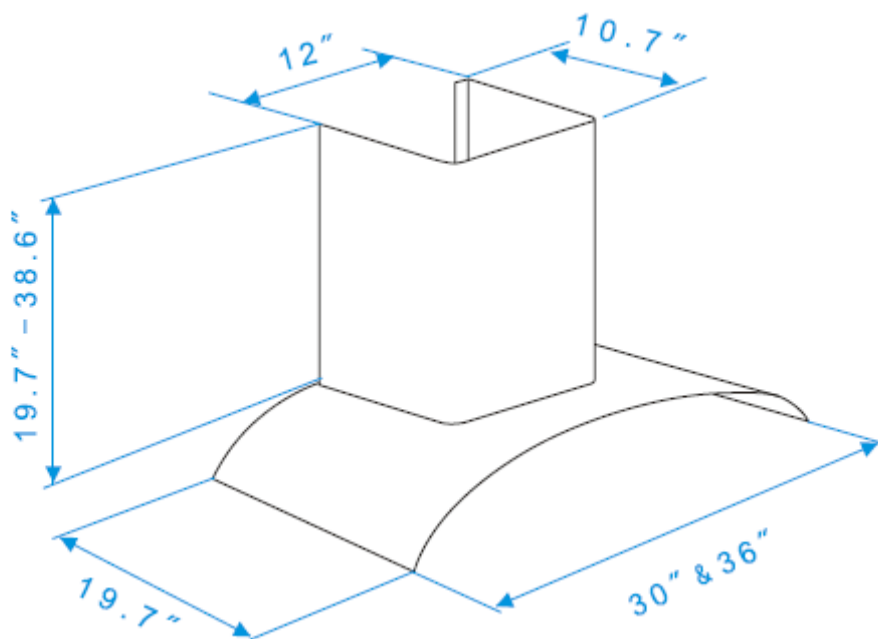
Fallo	Causa	Solución
Se enciende la luz, pero el motor no funciona.	Bloqueo de la malla	Elimine el bloqueo
	Capacitador dañado	Cambie el capacitador
	Cojinete de motor dañado	Cambie el motor
	Partes internas con el motor apagado o malos olores del motor	Cambie el motor
La luz no funciona, el motor no funciona	Además de lo antes mencionado, verifique lo siguiente:	
	Luz averiada	Cambie las luces
	Cable de alimentación flojo	Conecte los cables de acuerdo al diagrama eléctrico
Fugas de aceite	El regulador de ventilación de aire no está sellado perfectamente.	Desmonte el regulador y séllelo con pegamento
	Fugas de la conexión de la sección en forma de U y cubierta	Quite la sección en forma de U y selle con jabón o pintura
Vibraciones	La lámina está dañada y ocasiona vibraciones	Cambie la lámina
	El motor no está fijo completamente	Bloquee el motor
	El cuerpo no está fijo completamente	Fije el cuerpo completamente
Succión insuficiente	La distancia entre la campana y la superficie de cocción es demasiado grande	Reajuste la distancia
	Demasiada ventilación por puertas abiertas o ventanas	Seleccione un nuevo sitio y vuelva a armar la máquina
La máquina se inclina	El tornillo de fijación no está apretado lo suficiente	Apriete el tornillo de fijación
	El tornillo de fijación no está apretado lo suficiente	Apriete el tornillo de fijación

Cualquier mantenimiento en su equipo debe ser realizado por:

- Su distribuidor
- Un mecánico calificado que tenga autorización de un agente de la marca del dispositivo.

Al realizar una cita, indique todas las referencias de su equipo (modelo, tipo y número de serie). Esta información aparece en la placa de características del fabricante, la cual va adherida a su equipo.

1/ AVISO PARA OS UTILIZADORES	40
AVISO	41
CUIDADO	42
AVISO PARA INSTALAR A CAMPÂNULA.....	42
2/ INSTALAR O SEU APARELHO.....	43
INSTALAR A CONDUTA	43
INSTALAR OS SUPORTES DE MONTAGEM	43
INSTALAR O SUPORTE DE ENCAIXE DA CONDUTA	43
INSTALAÇÃO DO FILTRO DE RECIRCLAÇÃO SEM CONDUTA.....	43
PREPARAR A CAMPÂNULA	44
INSTALAR A CAMPÂNULA	45
3/ UTILIZAR O SEU APARELHO	46
FUNCIONAMENTO	46
4/ MANUTENÇÃO E LIMPEZA DO SEU APARELHO.....	47
MANUTENÇÃO	47
5/ TR RESOLUÇÃO DE PROBLEMAS.....	48
6/ SERVIÇO PÓS-VENDAS.....	49



  AVISO**PARA REDUZIR O RISCO DE INCÊNDIO, CHOQUE ELÉTRICO OU FERIMENTOS A PESSOAS, OBSERVE O SEGUINTE:**

1. Utilize este aparelho apenas para o fim a que se destina, indicado pelo fabricante. Caso tenha dúvidas, contacte o fabricante no endereço ou número de telefone listado na garantia.
2. Antes de reparar ou limpar o aparelho, desligue no painel de serviço e bloqueie o painel de serviço para evitar que seja ligado acidentalmente. Quando os meios de desconexão de serviço não podem ser bloqueados, aperte em segurança um dispositivo de aviso bem visível, como uma etiqueta, ao painel de serviço.
3. O trabalho de instalação e de cablagem elétrica deve ser feito por uma pessoa qualificada, de acordo com todos os códigos e normas aplicáveis, incluindo os códigos de normas de construção de classificação de incêndios.
4. É necessária ventilação suficiente para a devida combustão e escape de gases através da chaminé do equipamento de combustão, para evitar que volte para trás. Siga as diretrizes do fabricante do equipamento de aquecimento e as normas de segurança, como as publicadas pela Associação nacional de proteção contra incêndios (NFPA) e a Sociedade americana para engenheiros de aquecimento, refrigeração e ar condicionado (ASHRAE) e as autoridades do código local.
5. Quando fura na parede ou no teto, não danifique a cablagem elétrica e outras instalações ocultas.
6. As condutas das ventoinhas devem ser sempre ventiladas para fora.
7. Não utilize este aparelho com qualquer dispositivo de controlo de velocidade de estado sólido separado.
8. Para reduzir o risco de incêndio, utilize apenas condutas de metal.
9. Este aparelho deve ser ligado a terra.

PARA REDUZIR O RISCO DE UM INCÊNDIO NA BANCADA POR GORDURAS:

- A. Nunca deixe os aparelhos na superfície sem supervisão e em posições altas. A ebulição pode provocar fumo e derrames de gordura que podem atear fogo. Aqueça o óleo lentamente, na posição baixa ou média.
- B. LIGUE sempre a campânula quando cozinha na posição alta ou faz flambé (isto é, crepes Suzette, compotas, etc.)
- C. Limpe com frequência as ventoinhas de ventilação. Não deve deixar acumular gordura na ventoinha ou no filtro.
- D. Utilize tachos e panelas de tamanho adequado. Utilize sempre tachos e panelas apropriadas para o tamanho do elemento da superfície.

  AVISO**PARA REDUZIR O RISCO DE FERIMENTOS A PESSOAS NO CASO DE UM INCÊNDIO NA BANCADA POR GORDURAS, OBSERVE O SEGUINTE:***

1. DIMINUA AS CHAMAS ao tapar com uma tampa, pano de cozinha ou travessa de metal e desligue então o fogão. CUIDADO PARA EVITAR QUEIMADURAS. Se as chamas não se apagarem imediatamente, EVACUE E CHAME OS BOMBEIROS.
2. NUNCA PEGUE NUMA PANELA EM CHAMAS - Pode queimar-se.
3. NÃO UTILIZE ÁGUA incluindo panos ou toalhas de cozinha molhadas - poderá resultar numa violenta explosão de vapor.
4. Utilize um extintor APENAS se:
 - A. Souber que possui um extintor de classe ABC e já souber utilizá-lo.
 - B. O fogo for pequeno e restrito à área onde começou.
 - C. Já tiver ligado para os bombeiros.
 - D. Pode combater o fogo de costas para uma saída.

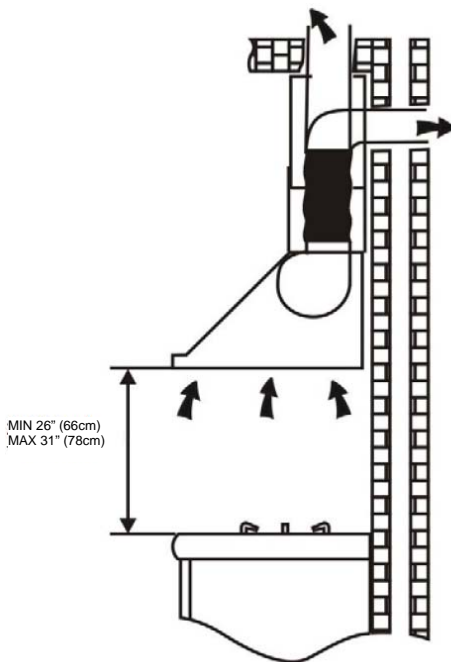
! CUIDADO

1. Para reduzir o risco de incêndio e para escape adequado do ar, certifique-se que orienta a conduta de ar para o exterior. Não ventile o ar de escape para espaços dentro de paredes ou tetos ou para sótãos, espaços apertados ou garagens.
2. Tenha cuidado quando utiliza agentes de limpeza ou detergentes.
3. Evite utilizar produtos alimentares que produzam chamas debaixo do exaustor.
4. Apenas para ventilação em geral. Não utilize para o escape de materiais e vapores perigosos ou explosivos.
5. Para evitar danos aos rolamentos do motor e rotores ruidosos e/ou desequilibrados, mantenha o spray da parede de gesso, poeiras de construção, etc. afastados do aparelho.
6. O motor da sua campânula possui um interruptor de sobrecarga térmica que desliga automaticamente o motor caso este sobreaqueça. O motor volta a ligar-se quando arrefece. Se o motor continuar a desligar-se e a reiniciar, leve a campânula para ser reparada.
7. Para uma melhor captura das impurezas dos cozinhados, o espaço entre a campânula e a superfície do fogão deve ser no mínimo de 24" (66cm) e no máximo 31" (78 cm).
8. São recomendadas duas pessoas para instalar, devido às grandes dimensões e ao peso da campânula.
9. Este produto está equipado com um termóstato que pode ligar o ventilador automaticamente. Para reduzir o risco de ferimentos e evitar que o aparelho seja ligado acidentalmente, desligue o interruptor no painel de serviço e bloqueio ou marque o painel de serviço.
10. Utilize apenas com o kit de cabo de ligação aprovado.
11. Leia a etiqueta de especificações no produto para obter mais informações e requisitos.

AVISO PARA INSTALAR A CAMPÂNULA

Nota: Este exaustor deve ser devidamente ligado a terra. O aparelho deve ser instalado por um electricista qualificado, de acordo com todos os códigos elétricos nacionais e locais aplicáveis.

A distância mínima entre a campânula e a superfície do fogão não deve ser inferior a 24" (66cm). Recomenda-se o máximo de 31" (78 cm) de distância acima da superfície do fogão para uma melhor captura das impurezas de cozinhar. As distâncias superiores a 31" 78 cm) são opção do instalador e do utilizador.

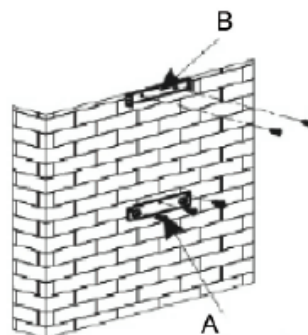


INSTALAR A CONDUTA

1. Ao lado do local onde a conduta irá ser colocada entre a campânula e o exterior.
2. Uma conduta direita e curta irá permitir que a campânula funcione com mais eficácia.
3. Instale a conduta de alumínio flexível na ventilação na direção do local da campânula.

INSTALAR OS SUPORTES DE MONTAGEM

1. Depois de avaliar a altura da campânula, coloque o centro do gancho, sobre o local da instalação. Faça 3 buracos de 8mm de diâmetro num local adequado para encaixar os suportes de montagem.
2. Coloque as âncoras da parede de gesso nos orifícios e encaixe os parafusos de montagem (4x40mm) nas âncoras e instale o gancho na parede, como ilustrado.

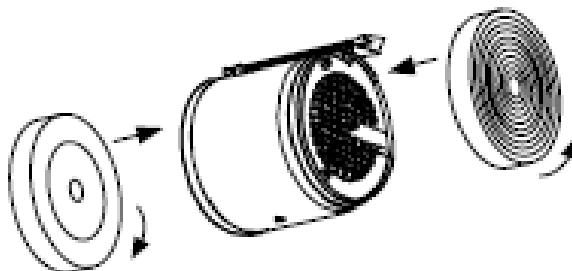


INSTALAR O SUPORTE DE ENCAIXE DA CONDUTA

1. Calcule a altura final da secção em forma de U, faça 2 furos de 8mm de diâmetro num local adequado em linha com o suporte de encaixe da conduta deslizante.
2. Coloque as âncoras da parede de gesso nos orifícios e encaixe os parafusos de montagem (4x40mm) nas âncoras e instale o gancho na parede, como ilustrado.

INSTALAÇÃO DO FILTRO DE RECIRCLAÇÃO SEM CONDUTA

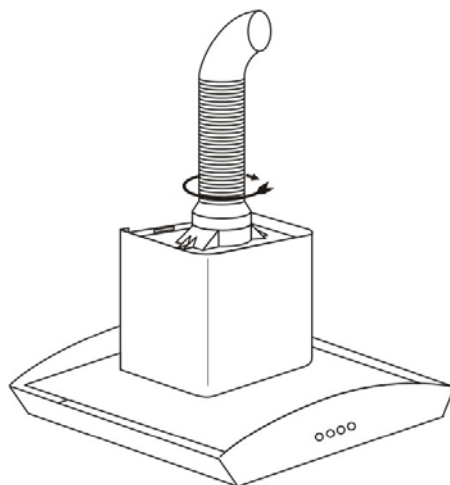
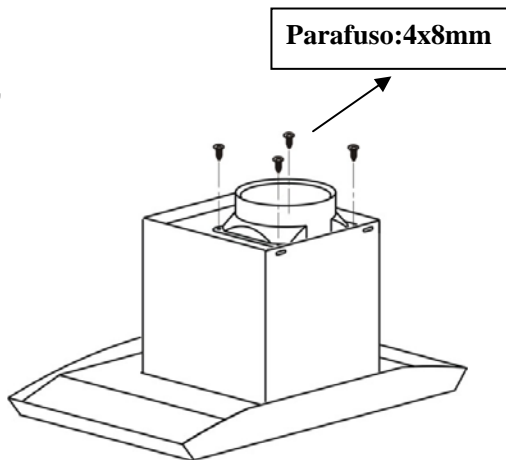
1. Adquira um filtro de recirculação sem conduta no seu distribuidor. (O filtro de recirculação sem conduta é opcional e comprado em separado)
2. Instale o filtro ao rodá-lo no equipamento que está de ambos os lados do motor.



PREPARAR A CAMPÂNULA

Nota: Em campânulas em aço inoxidável, remova cuidadosamente a película de proteção de plástico de todas as superfícies exteriores da campânula e canos de chaminé decorativos antes da instalação final.

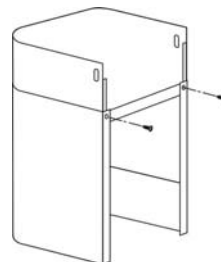
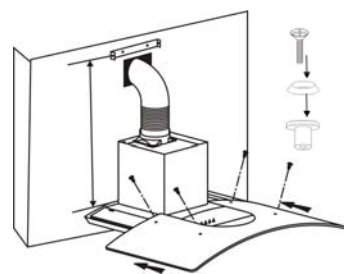
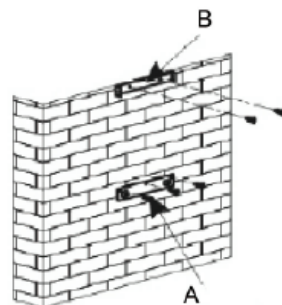
3. Retire a campânula da embalagem.
4. Instale a ventilação no conector da conduta da campânula do fogão.
5. Fixe o tubo de extensão na ventilação.

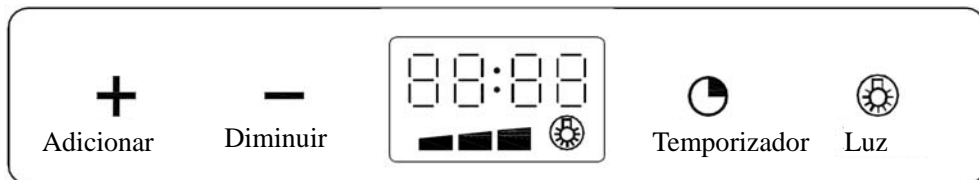


INSTALAR A CAMPÂNULA

Nota: Serão necessárias pelo menos duas pessoas para

1. Eleve a campânula para a sua posição de montagem.
2. Alinhe a abertura retangular na parte traseira da campânula com o suporte de montagem na parede. Baixe cuidadosamente a campânula até fixar em segurança no suporte.
3. Abra o filtro Al. e encontre os dois buracos de 8mm de diâmetro na parte traseira da campânula. Nivele a campânula com dois parafusos de montagem (4*30mm) com as anilhas. Utilize as âncoras para parede de gesso fornecidas.
4. Coloque o vidro na direção correta, utilize quatro parafusos (4x25mm) com anilha para vidro e anilha de borracha para encaixar o vidro. (Nota: os parafusos e as anilhas devem ser instalados como ilustrado.)
5. Meça a altura do suporte de encaixe da conduta deslizante. Ajuste a altura da chaminé de acordo com a altura. Utilize então o suporte de encaixe da conduta com dois parafusos (4x8mm) para encaixar as chaminés. Como ilustrado na imagem.
6. Coloque a chaminé na campânula, utilize dois parafusos (4x8mm) para encaixar a chaminé no suporte de encaixe da conduta.
7. Utilize os outros dois parafusos (4x8mm) para encaixar a base da chaminé.
8. Depois de ajustar a posição, abra o filtro e encaixe o corpo no interior, com parafusos de segurança (4X30MM) .



FUNCIONAMENTO**Controlos****• Botão elétrico****A- Ligar:**

- Ligue à corrente e a luz de fundo acende-se, apresentando "sistema 24 horas". A saída é então bloqueada e a máquina entra no modo de standby. A luz de fundo desaparece automaticamente 30 segundos depois, se não houver qualquer operação.

B- Ajustar a hora:

- Para acertar o relógio, prima primeiro o indicador "☉" durante 3 segundos, os 2 primeiros dígitos piscam 88:88 e podem ser ajustados. Prima a tecla + para aumentar o dígito e a tecla - para diminuir.
- Prima a tecla temporizador "☉" uma segunda vez e os últimos 2 dígitos piscam 88:88 e podem ser ajustados. Prima a tecla + para aumentar o dígito e a tecla - para diminuir.
- Prima a tecla temporizador "☉" uma terceira vez e irá confirmar o ajuste da hora e também sair desta seleção de menu.

C- Ajustar potência:

O motor tem 3 velocidades: baixa, média e alta.

- Prima a tecla + uma vez, ■ é apresentado no ecrã e o motor começa a funcionar (posição baixa)
- Prima a tecla + mais uma vez na posição baixa, ■ ■ é apresentado no ecrã (posição média).
- Prima a tecla + mais uma vez na posição média, ■ ■ ■ é apresentado no ecrã (posição alta).
- Para diminuir a velocidade, prima a tecla "—" uma vez, o motor é ajustado para uma posição mais baixa e o ecrã LCD apresenta essa posição, a velocidade do motor é diminuída até alcançar a posição de desligado

D- Ajuste do temporizador:

- O módulo de controlo apresenta a opção de ligar o motor durante um período de tempo predeterminado.
- O período de tempo pode ser ajustado para 3 definições diferentes: 5 min; 15 min. ou 30 min.
- O período de tempo diferente pode ser selecionado ao premir o ajuste do temporizador "☉" repetidamente, até alcançar o período pretendido

MANUTENÇÃO

A devida manutenção do exaustor vai garantir o desempenho adequado do aparelho.

Filtros

Os filtros devem ser limpos aproximadamente a cada 30 horas de funcionamento (quando o segmento central do ecrã se liga ou começa a piscar).

Utilize uma solução com água morna e detergente. Os filtros de gordura podem ser lavados na máquina de lavar louça.

Remova o filtro ao empurrar o filtro para a traseira da campânula e girar o filtro para baixo.

Filtros sem conduta (carvão)

Os filtros sem conduta devem ser trocados a cada 6 meses. Gire os filtros para remover e substituir.

Limpeza da campânula

O aço inoxidável é um dos materiais mais fáceis de manter limpo. O cuidado ocasional vai ajudar a preservar o seu bom aspeto.

Dicas de limpeza:

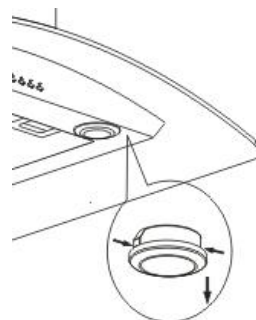
- Água quente com sabão ou detergente é tudo o que normalmente é necessário.
- Depois de toda a limpeza enxagúe com água limpa. Seque bem com um pano limpo e suave, para evitar deixar marcas de água.
- Para descolorações ou depósitos que persistem, utilize um produto de limpeza doméstico não abrasivo ou pó de polimento para aço inoxidável, com um pouco de água e um pano suave.
- Para casos mais resistentes, utilize uma escova de plástico ou de cerdas suaves com um produto de limpeza e água. Esfregue com cuidado na direção das linhas de polimento ou de "grão" do aço inoxidável. Evite utilizar demasiada pressão, o que pode danificar a superfície.
- NÃO permita que os depósitos permaneçam NO metal durante longos períodos de tempo.
- NÃO utilize escovas de aço normais. Pequenos pedaços de aço podem colar-se à superfície, causando ferrugem.
- NÃO deixe que soluções com sal, desinfetantes, lixívia ou compostos de limpeza permaneçam em contacto com o aço inoxidável durante longos períodos. Muitos desses compostos contêm químicos que podem ser prejudiciais. Lave com água após a exposição e seque bem com um pano limpo.

As superfícies pintadas devem ser limpas apenas com água morna e detergente suave.

LÂMPADAS DE HALOGENÍO

Para trocar as lâmpadas:

1. Utilize uma chave de fendas para retirar a proteção das lâmpadas e o vidro. **CAUTION: A LÂMPADA PODE ESTAR QUENTE, GIRE A LÂMPADA QUANDO ESTA ESTIVER FRIA!**
2. Troque por uma lâmpada base de tipo JC, 12Volt, 20Watt máx, G-4. Não toque na lâmpada de substituição com as mãos.
3. Volte a colocar a proteção das lâmpadas e o vidro após trocar a lâmpada.



PT 5/ TR RESOLUÇÃO DE PROBLEMAS

Falha	Causa	Solução
Luz acesa, mas o motor não trabalha	A placa está bloqueada	Remova o bloqueio
	Dissipador danificado	Substitua o dissipador
	O rolamento do motor está encravado	Substitua o motor
	O interior do motor deixa fumo ou um mau odor do motor quando este trabalha	Substitua o motor
A luz não se acende, o motor não trabalha	Além do mencionado acima, verifique:	
	Luz danificada	Substitua as lâmpadas
	Cabo elétrico solto	Ligue os cabos de acordo com o diagrama elétrico
Fuga de óleo	O amortecedor e a entrada de ventilação do ar não estão bem vedadas.	Retire o amortecedor e isole com cola.
	Fuga da ligação da secção com forma de U e a cobertura	Retire a secção com forma de U e isole com sabão ou tinta.
O corpo do aparelho abana	A placa está danificada e causa o tremor	Substitua a placa
	O motor não está bem suspenso	Prenda bem o motor
	O corpo não está bem suspenso	Fixe bem o corpo
Sucção insuficiente	A distância entre o corpo e o fogão é demasiada	Reajuste a distância
	Demasiada ventilação de portas ou janelas abertas	Escolha um novo local e volte a montar o aparelho
O aparelho inclina-se	Os parafusos de encaixe estão mal apertados	Aperte os parafusos de encaixe e coloque-os na horizontal
	Os parafusos de montagem estão mal apertados	Aperte os parafusos de montagem e coloque-os na horizontal

Qualquer serviço de manutenção ao seu equipamento deve ser realizado por:

— pelo seu distribuidor,

—ou outro mecânico qualificado, que seja um agente autorizado para os aparelhos da marca.

Quando realiza uma marcação, indique a referência completa do seu equipamento (modelo, tipo e número de série). Esta informação está apresentada na placa informativa do fabricante, presa ao seu equipamento.