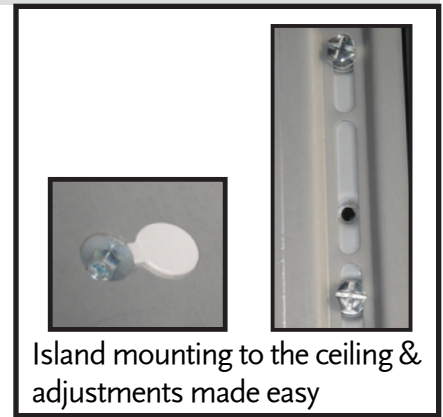


Stilo Isola Island Hood

A European styled island canopy in kitchen range hoods



ON AIR. SINCE 1955



Island mounting to the ceiling & adjustments made easy



LED DISPLAY WITH ELECTRONIC TOUCH CONTROLS, 2 LEVEL LIGHTING, 30 MINUTE AUTO SHUT OFF, AND 10 MINUTE INTENSIVE SPEED

The Stilo Isola features a streamlined shape combined with traditional styling making the range hood a stunning alternative in canopy island ventilation. With advanced LED controls the Stilo Isola delivers.

Model #	Size Color	Performance Range	Sound Levels
STILIS36SS	36 x 26 Stainless	160 - 600 CFM	3.5 - 6.5 sones
STILIS48SS	48 x 26 Stainless	160 - 600 CFM	3.5 - 6.5 sones



Feature Chart

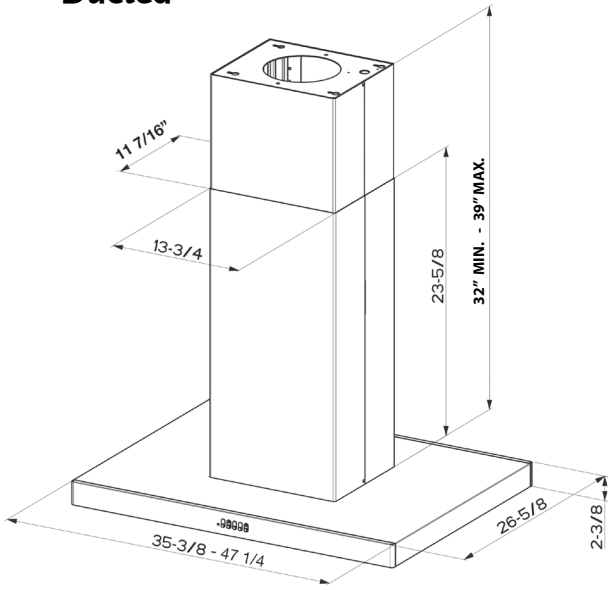
Min. / Max. Ceiling Height	7' 10 3/8" - 8' 11 3/8"
Canopy Depth / Height	26 5/8" D / 2 3/8" H
High Ceiling Kit	Yes - up to 10' 8 3/8"
Convertible to Ductless / Recirculating	Yes - ductless kit needed
Controls	3 speed LED digital control
Lighting	4 X 20 (W) Halogen + Dimmer
Ducting Top	6" Round
Grease Filters	dishwasher safe baffle filters
Quick Island Mounting	Yes
Pro Motor with Metal Impellers	Yes
30 minute auto shut off	Yes
Silent Kit	Yes
10 Minute Intensive Speed	Yes
AC Input / AC Power	120 V - 60 hz / Max 410 W at 3.5 A
Annual Electricity Costs	\$7.05 / Year *

* Note – ran 30 minutes a day on low speed with the lights on, 365 days, using the North American average of 12.2 cents per kWh.
p.o. box 435 • Wayland, MA 01778 • tel: (508) 358-5353 • fax: (508) 358-5730 • e-mail: info@faberonline.com • www.faberonline.com

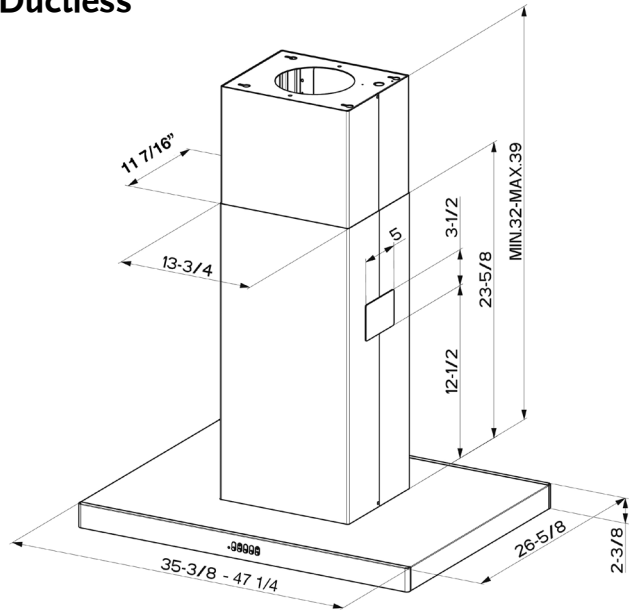
Dimensional Diagrams

(see installation instructions for more information)

Ducted



Ductless



min & max ceiling height examples	
x = range hood height above cook top	
ducted / ductless	
<u>x = 24"</u>	<u>x = 30"</u>
<u>min</u>	<u>min</u>
7' 10 3/8"	8' 4 3/8"
<u>max</u>	<u>max</u>
8' 5 3/8"	8' 11 3/8"

For higher ceiling installations, the High Ceiling Chimney Kit includes an additional support structure which adds 21" to the various ceiling heights in the figures above.

ACCESSORIES

High Ceiling Chimney Kit

HIGH2

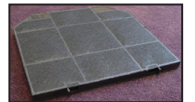
Extends the island chimney for high ceilings



Replacement Charcoal Filter

FILTER2

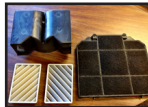
For ductless installations, high quality, heavy duty filters ensure the removal of smoke and odors from the kitchen.



Ductless Conversion Kit

DUCT2

Includes: • Lower Chimney with holes for ducting • Ductless Diverter Assembly • Vent Grates • Charcoal Filter



CFM Reducer Kit

CFMRED

For use in make up environments where an under 300 cfm hood is required. This kit reduces the ducting to 5" round and reduces the cfm to under 300



WARNING! Product specifications are subject to change without notification. Consult the installation instructions before you begin installing this rangehood.