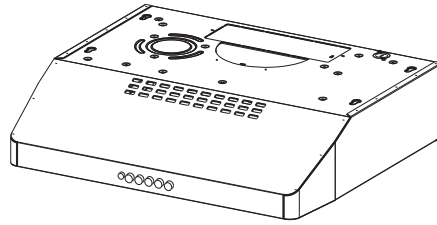


Levante I



Levante II

Installation Instructions
Use and Care Information

Instructions d'installation
Utilisez et d'entretien

Instrucciones de instalación
Información de uso y cuidado

LEVA24SS300-B
LEVA24WH300-B
LEVA30SS300-B
LEVA30WH300-B
LEVA30BK300-B
LEVA36SS300-B
LEVA36WH300-B
LEVA36BK300-B
LEVT30SS400-B
LEVT36SS400-B

READ AND SAVE THESE INSTRUCTIONS BEFORE YOU START INSTALLING THIS RANGEHOOD

WARNING: - TO REDUCE THE RISK OF A RANGE TOP GREASE FIRE:

- a) Never leave surface units unattended at high settings. Boilovers cause smoking and greasy spillovers that may ignite. Heat oils slowly on low or medium setting.
- b) Always turn hood ON when cooking at high heat or when flambeing food (i.e. Crepes Suzette, Cherries Jubilee, Peppercorn Beef Flambé).
- c) Clean ventilating fans frequently. Grease should not be allowed to accumulate on fan or filter.
- d) Use proper pan size. Always use cookware appropriate for the size of the surface element.

WARNING: - TO REDUCE THE RISK OF INJURY TO PERSONS IN THE EVENT OF A RANGE TOP GREASE FIRE, OBSERVE THE FOLLOWING*:

- a) **SMOTHER FLAMES** with a close-fitting lid, cookie sheet, or metal tray, then turn off the burner. **BE CAREFUL TO PREVENT BURNS.** If the flames do not go out immediately **EVACUATE AND CALL THE FIRE DEPARTMENT.**
- b) **NEVER PICK UP A FLAMING PAN** - You may be burned.
- c) **DO NOT USE WATER**, including wet dishcloths or towels - a violent steam explosion will result.
- d) Use an extinguisher **ONLY** if:
 1. You know you have a Class ABC extinguisher, and you already know how to operate it.
 2. The fire is small and contained in the area where it started.
 3. The fire department is being called.
 4. You can fight the fire with your back to an exit.

* Based on "Kitchen Firesafety Tips" published by NFPA

WARNING - TO REDUCE THE RISK OF FIRE OR ELECTRIC SHOCK, do not use this fan with any solid-state speed control device.

WARNING - TO REDUCE THE RISK OF FIRE, ELECTRICAL SHOCK, OR INJURY TO PERSONS, OBSERVE THE FOLLOWING:

1. Use this unit only in the manner intended by the manufacturer. If you have any questions, contact the manufacturer.
2. Before servicing or cleaning unit, switch power off at service panel and lock the service disconnecting means to prevent power from being switched on accidentally. When the service disconnecting means cannot be locked, securely fasten a prominent warning device, such as a tag, to the service panel.

CAUTION: For General Ventilating Use Only. Do Not Use To Exhaust Hazardous or Explosive Materials and Vapors.

WARNING - TO REDUCE THE RISK OF FIRE, ELECTRICAL SHOCK, OR INJURY TO PERSONS, OBSERVE THE FOLLOWING:

1. Installation Work And Electrical Wiring Must Be Done By Qualified Person(s) In Accordance With All Applicable Codes And Standards, Including Fire-Rated Construction.
2. Sufficient air is needed for proper combustion and exhausting of gases through the flue (chimney) of fuel burning equipment to prevent backdrafting. Follow the heating equipment manufacturer's guideline and safety standards such as those published by the National Fire Protection Association (NFPA), and the American Society for Heating, Refrigeration and Air Conditioning Engineers (ASHRAE), and the local code authorities.
3. When cutting or drilling into wall or ceiling, do not damage electrical wiring and other hidden utilities.
4. Ducted fans must always be vented to the outdoors.

ALL WALL AND FLOOR OPENINGS WHERE THE RANGEHOOD IS INSTALLED MUST BE SEALED.

This rangehood requires at least 24" of clearance between the bottom of the rangehood and the cooking surface or countertop. This hood has been approved by UL at this distance from the cooktop.

This minimum clearance may be higher depending on local building codes. For gas cooktops and combination ranges, a minimum of 30" is recommended and may be required.

The maximum depth of overhead cabinets is 13". Overhead cabinets on both sides of this unit must be a minimum of 18" above the cooking surface or countertop. Consult the cooktop or range installation instructions given by the manufacturer before making any cutouts.

MOBILE HOME INSTALLATION The installation of this rangehood must conform to the Manufactured Home Construction and Safety Standards, Title 24 CFR, Part 3280 (formerly Federal Standard for Mobile Home Construction and Safety, Title 24, HUD, Part 280). See Electrical Requirements.

VENTING REQUIREMENTS

Determine which venting method is best for your application. Ductwork can extend either through the wall or the roof.

The length of the ductwork and the number of elbows should be kept to a minimum to provide efficient performance. The size of the ductwork should be uniform. Do not install two elbows together. Use duct tape to seal all joints in the ductwork system. Use caulking to seal exterior wall or floor opening around the cap.

Flexible ductwork is not recommended. Flexible ductwork creates back pressure and air turbulence that greatly reduces performance.

Make sure there is proper clearance within the wall or floor for exhaust duct before making cutouts. Do not cut a joist or stud unless absolutely necessary. If a joist or stud must be cut, then a supporting frame must be constructed.

WARNING - To Reduce The Risk Of Fire, Use Only Metal Ductwork.

CAUTION - To reduce risk of fire and to properly exhaust air, be sure to duct air outside – Do not vent exhaust air into spaces within walls or ceilings or into attics, crawl spaces, or garages.

Cold Weather installations

An additional back draft damper should be installed to minimize backward cold air flow and a non-metallic thermal break should be installed to minimize conduction of outside temperatures as part of the vent system. The damper should be on the cold air side of the thermal break. The break should be as close as possible to where the vent system enters the heated portion of the house.



WARNING

- Venting system **MUST** terminate outside the home.
- **DO NOT** terminate the ductwork in an attic or other enclosed space.
- **DO NOT** use 4" laundry-type wall caps.
- Flexible-type ductwork is not recommended.
- **DO NOT** obstruct the flow of combustion and ventilation air.
- Failure to follow venting requirements may result in a fire.

ELECTRICAL REQUIREMENTS

A 120 volt, 60 Hz AC-only electrical supply is required on a separate 15 amp fused circuit. A time-delay fuse or circuit breaker is recommended. The fuse must be sized per local codes in accordance with the electrical rating of this unit as specified on the serial/rating plate located inside the unit near the field wiring compartment.

ELECTRICAL INSTALLATION WITH WIRING BOX

THIS UNIT MUST BE CONNECTED WITH COPPER WIRE ONLY. Wire sizes must conform to the requirements of the National Electrical Code, ANSI/NFPA 70 - latest edition, and all local codes and ordinances. Wire size and connections must conform with the rating of the appliance. Copies of the standard listed above may be obtained from:

National Fire Protection Association
Batterymarch Park
Quincy, Massachusetts 02269

This appliance should be connected directly to the fused disconnect (or circuit breaker) through flexible, armored or nonmetallic sheathed copper cable. Allow some slack in the cable so the appliance can be moved if servicing is ever necessary. A UL Listed, 1/2" conduit connector must be provided at each end of the power supply cable (at the appliance and at the junction box).

When making the electrical connection, cut a 1 1/4" hole in the wall. A hole cut through wood must be sanded until smooth. A hole through metal must have a grommet.



WARNING

- Electrical ground is required on this rangehood.
- If cold water pipe is interrupted by plastic, nonmetallic gaskets or other materials, DO NOT use for grounding.
- DO NOT ground to a gas pipe.
- DO NOT have a fuse in the neutral or grounding circuit. A fuse in the neutral or grounding circuit could result in electrical shock.
- Check with a qualified electrician if you are in doubt as to whether the rangehood is properly grounded.
- Failure to follow electrical requirements may result in a fire.

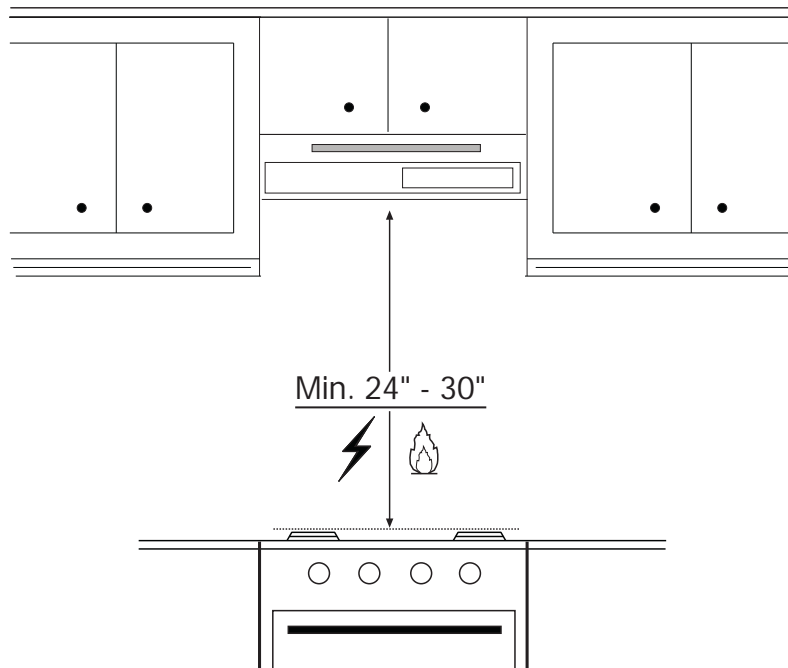
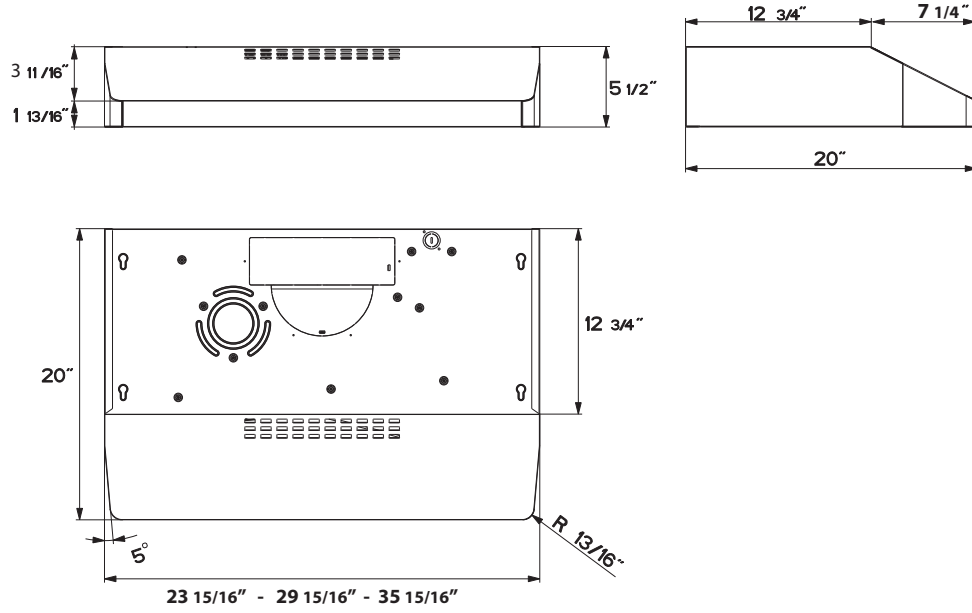
State of California Proposition 65 Warning (US only)

⚠ WARNING

This product contains chemicals known to the State of California to cause cancer and birth defects or other reproductive harm.

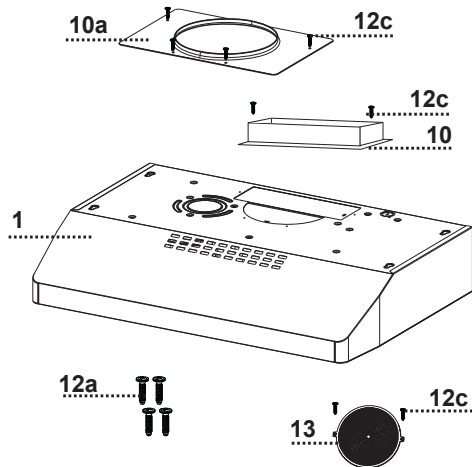
For more information go to www.P65Warnings.ca.gov

RANGEHOOD DIMENSIONS



MAIN PARTS

Components		
Ref.	Qty.	Product Components
1	1	Hood Body, complete with: Controls, Light, Filters, Blower.
10	1	3 1/4" x 10" Damper
10a	1	7" Round Flange
13	1	Grid (Only for Canadian Market)
Installation Components		
Ref.	Qty.	Installation Components
12a	4	Screws 3/16" x 1 15/16" (for wall mounting)
12c	6	Screws 1/8" x 3/8" (for sup plied flange transitions)
Documentation		
	1	Instruction Manual



Parts needed

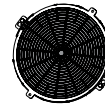
- 7" Round damper if using 7" round flange.
- Drywall plugs or other suitable wall fasteners based on your installation.
- Wire connectors.

For installation that is attached to bottom of wood cabinets with a recessed bottom; 1" x 2" by 12"(approximate length) wood strips will need to be purchased locally. 12C Wall Mount Screws may work as fasteners for this type of install, if not then four flat head wood screws will also need to be purchased locally to complete this type of install.

Available Accessories

Activated Charcoal Filter (**FILTER5**)

Note: For the Canadian Installation the Charcoal Filter as to be fixed with two screws (See page 8 picture b).
The Charcoal Filters have to be bought only by Faber authorized dealers.

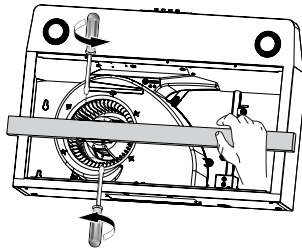
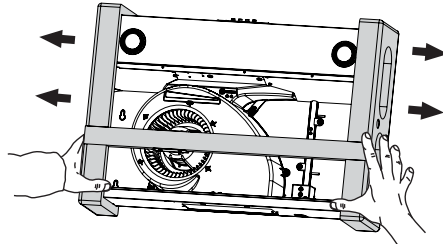


Wireless Remote Control-**REMCTRL**- (Levante II models only).

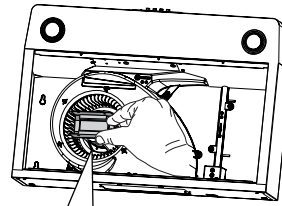


Before Installation Remove These Shipping Materials

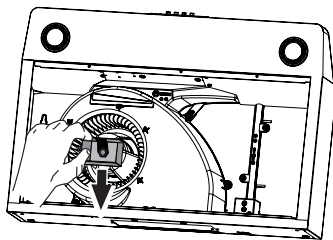
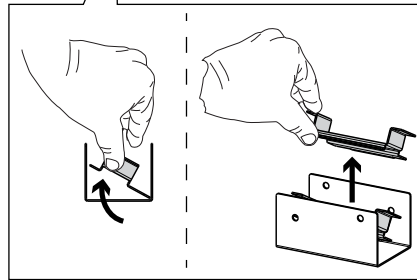
Remove the side packaging.



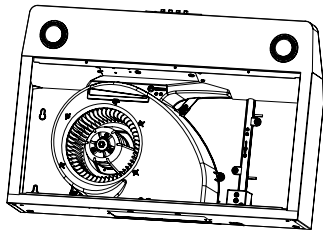
Remove the wood shipping by unscrew the 4 screws.



Remove the internal block as shown in a figure to the right.



Remove the block as shown in a figure to the left.

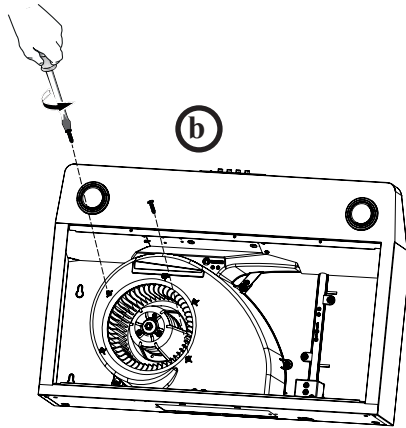
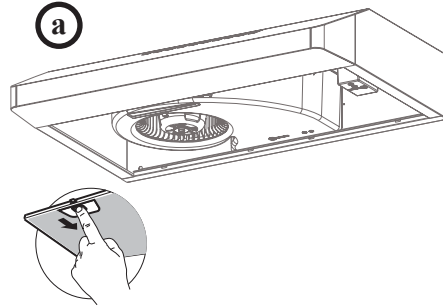


Ready for Installation.



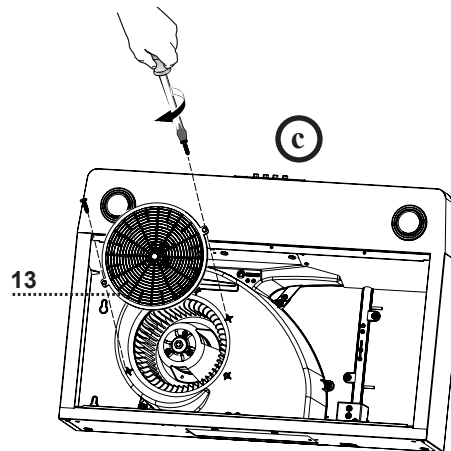
ONLY FOR CANADIAN MARKET

Remove the filters one at a time by pushing them towards the back of the group and pulling down at the same time.

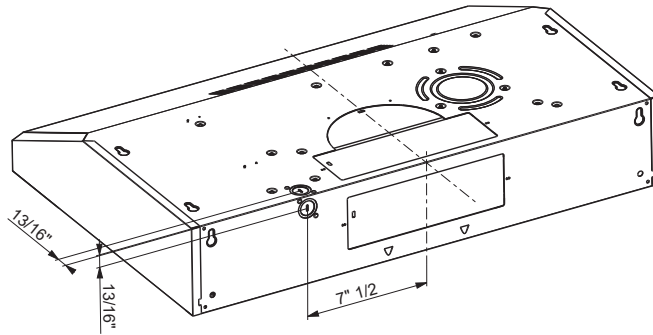


Remove the 2 screw already fixed.

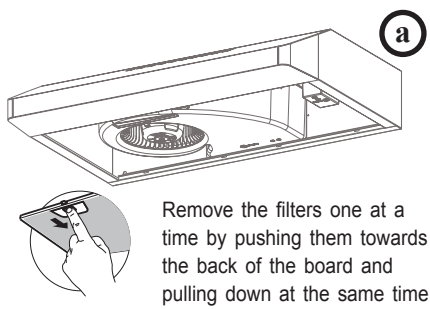
Install the Grid 13 with 2 screws removed previously as shown in the picture.



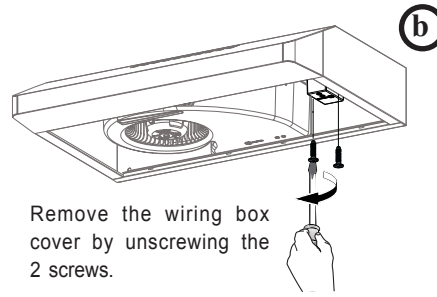
Choose Vertical or Horizontal Electrical Connection Knockout's



First step before making Vertical or Horizontal Electrical knockout



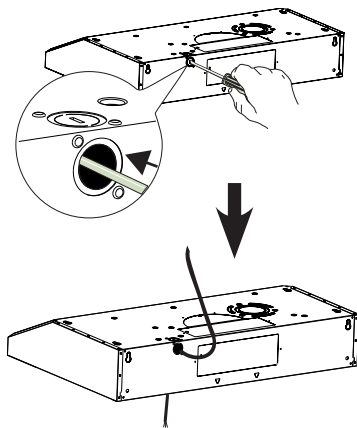
Remove the filters one at a time by pushing them towards the back of the board and pulling down at the same time.



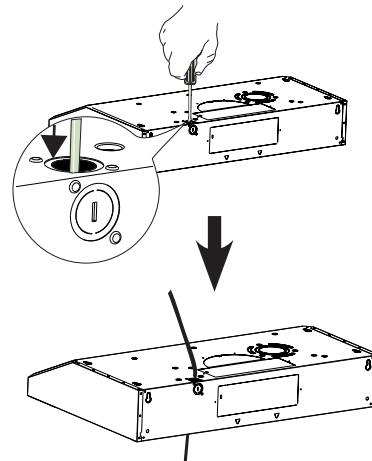
Remove the wiring box cover by unscrewing the 2 screws.

Choose the rear hole or top hole for the electric connection and break with a screwdriver or other tool. During the installation thread Power Supply Cable through this hole.

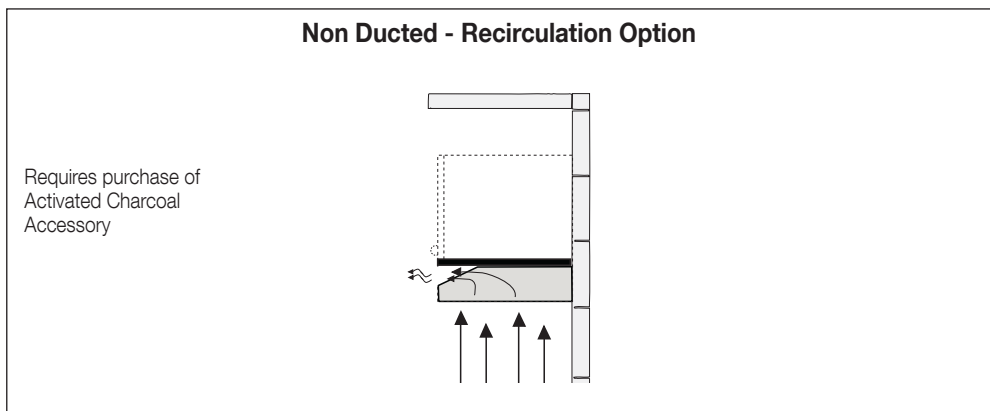
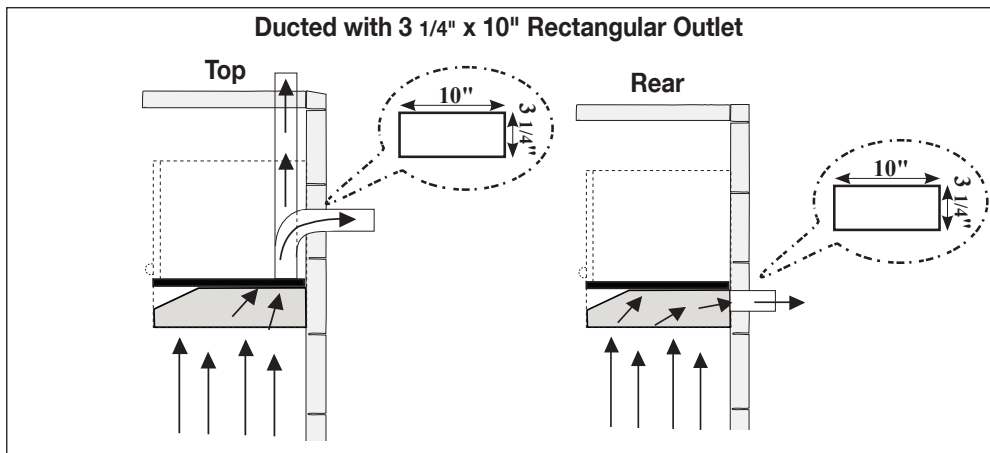
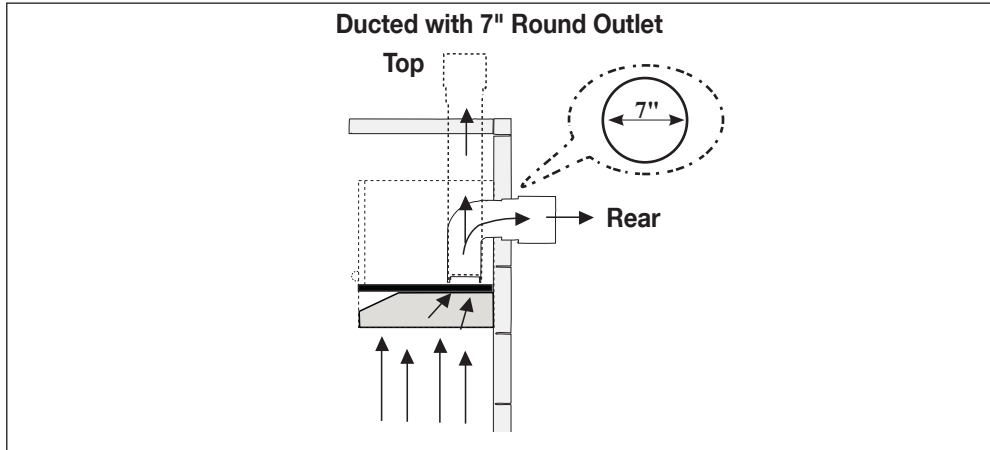
Rear Hole (Horizontal)



Top Hole (Vertical)

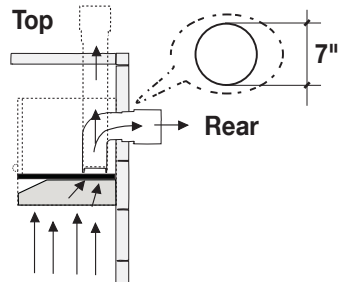


Ducting Methods

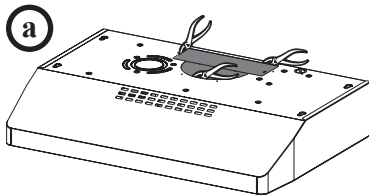




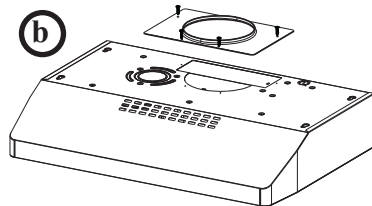
Ducted - 7" Round Outlet



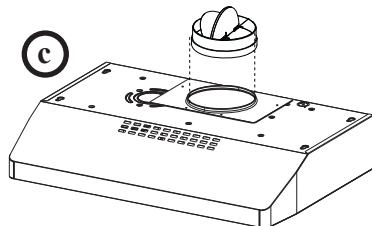
Required; 7" Round Damper Accessory purchase locally.



Cut where indicated.
Remove both the angular and semicircle areas with metal shears.



Install the Flange with Flange transition screws 12c

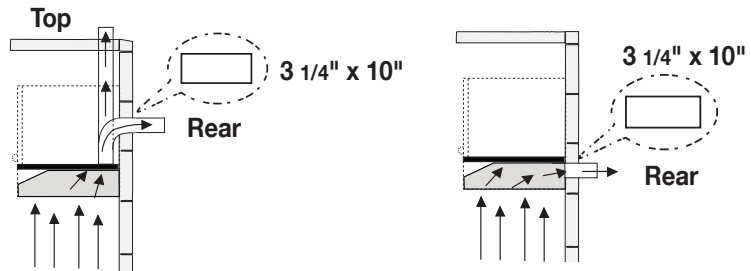


Install 7" Round Damper purchased separately.

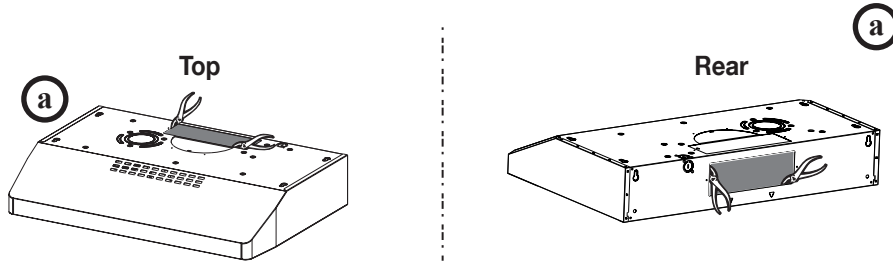
Go to page 14



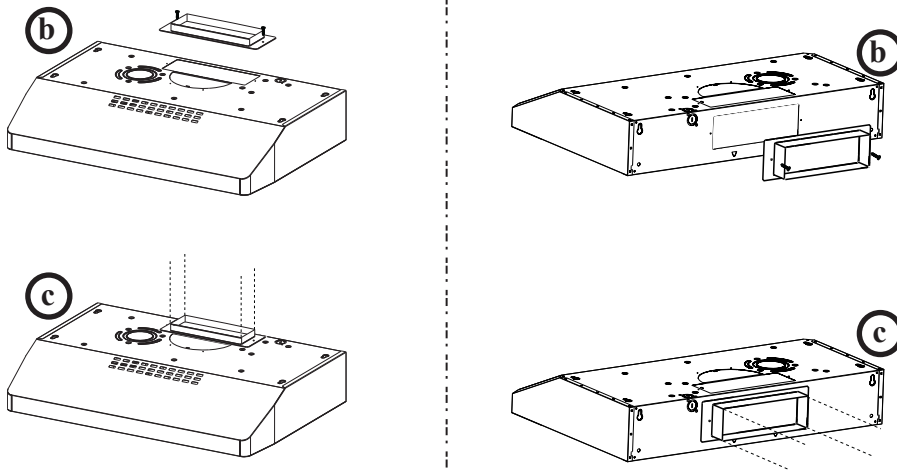
Ducted - 3 1/4" x 10"



Choose the rectangular upper air outlet or rectangular rear air outlet and cut where indicated.



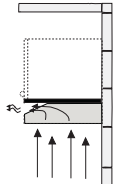
Install the included rectangular air outlet with two flange transition screws



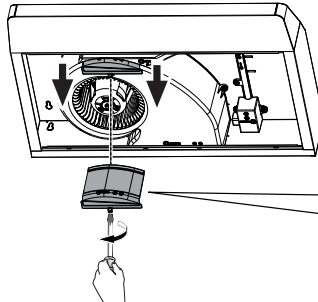
Go to page 14



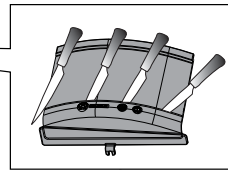
Non Ducted Recirculation Option



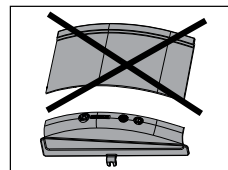
a



Remove the indicated blower cover (do not discard the screw).

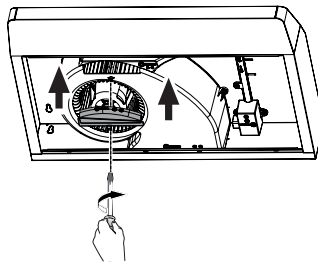


b1 Cut the cover where indicated in picture b1.



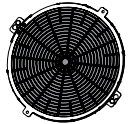
b2 Discard / Recycle upper pieces of blower cover.

b3



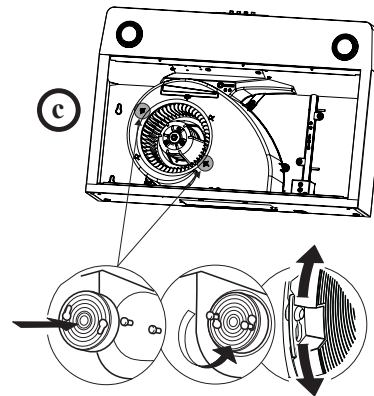
Reinstall the modified blower cover with the same screw.

Required Activated Charcoal Filter Accessory - (**FILTER5**) purchased separately.

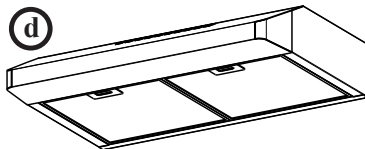


Install the Activated Charcoal Filter purchased separately, where indicated in the picture.

c

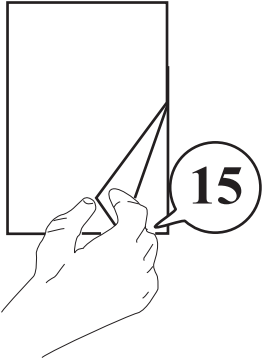
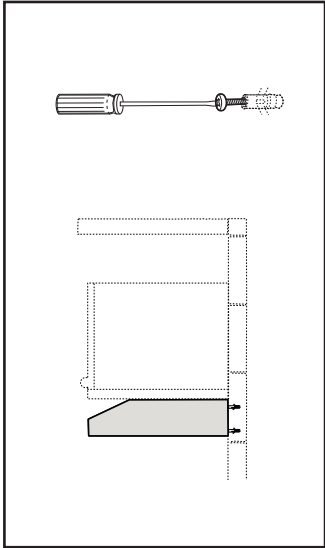


d

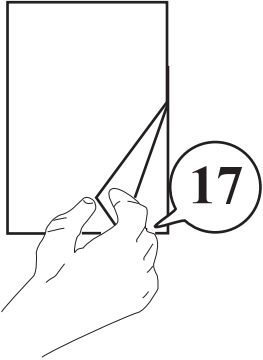
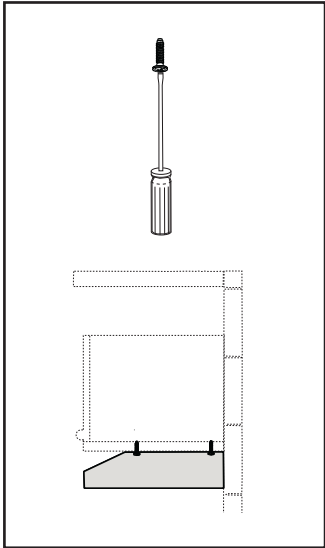


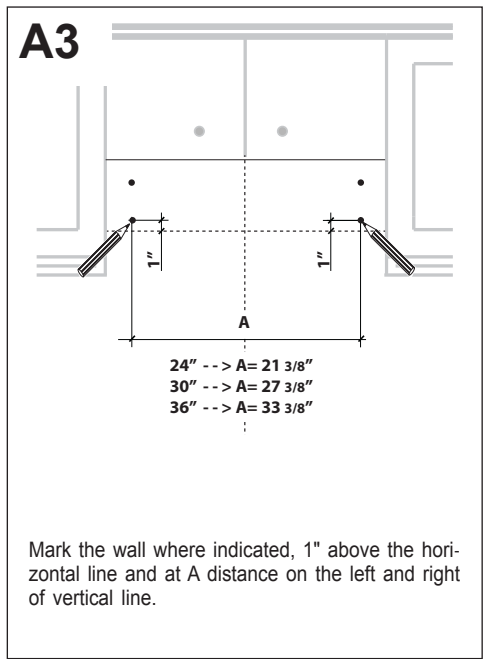
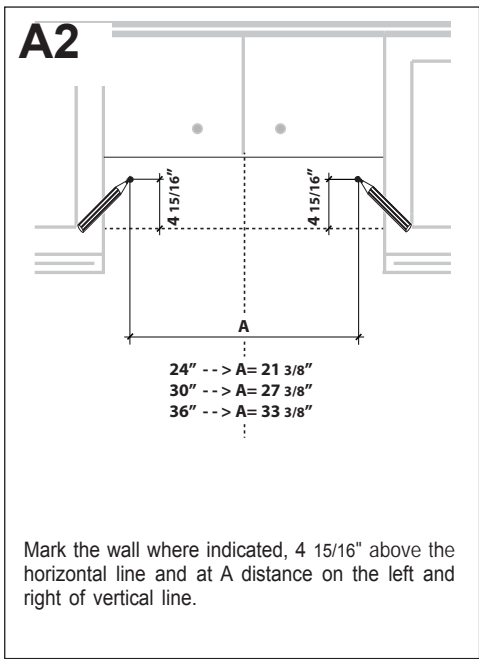
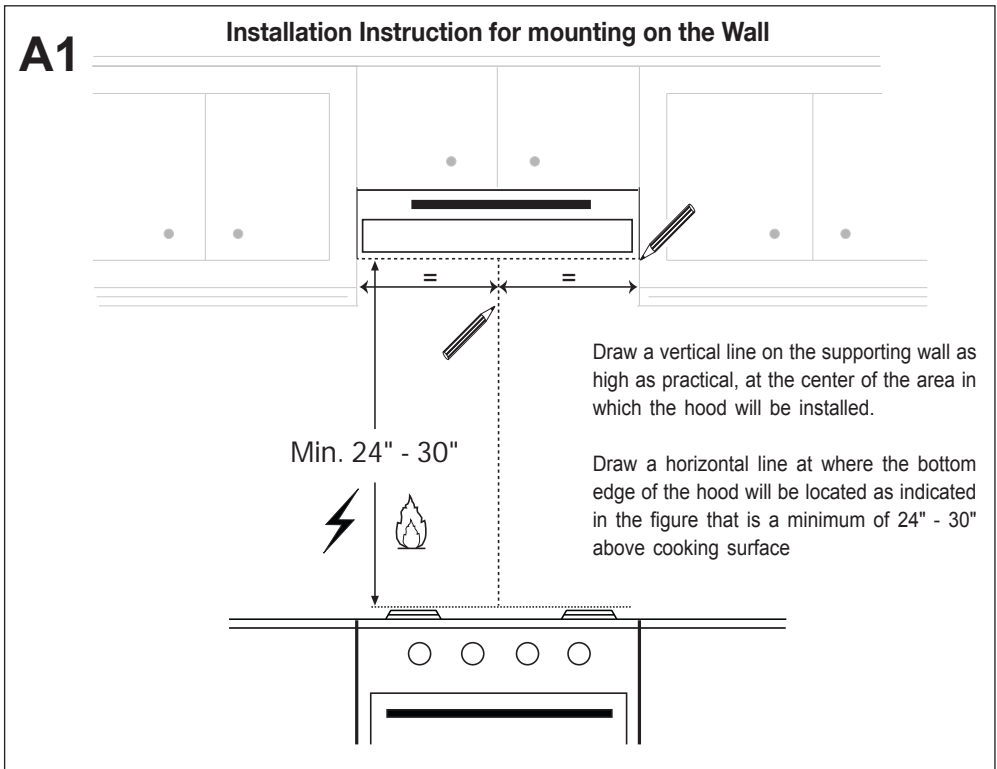
Reinstall the existing Grease Filters after installing the Activated Charcoal Filter before operating hood.

Installation for Mounting on the Wall



Installation for Mounting to the cabinet





A4

Drill directly into $\varnothing 3/16$ " holes at all the center points marked.
 Insert the purchased wall plugs in the holes.
 If fastener locations do not align with the studs, insert the purchased wall plugs in the holes.

A5

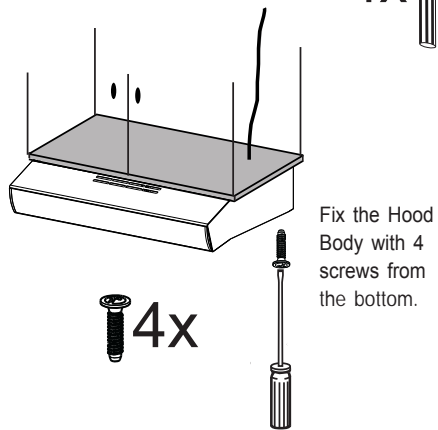
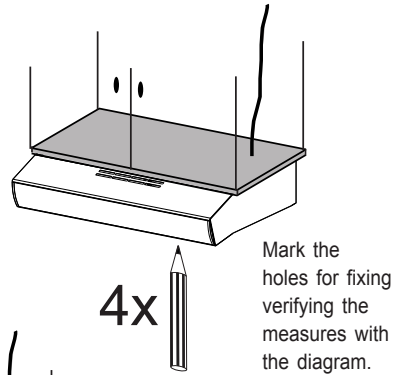
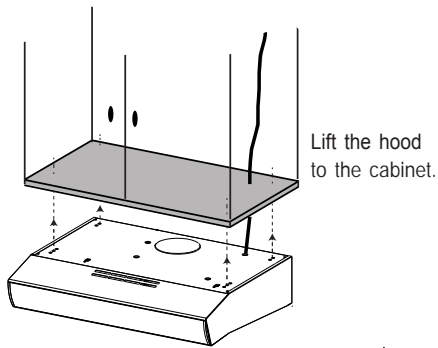
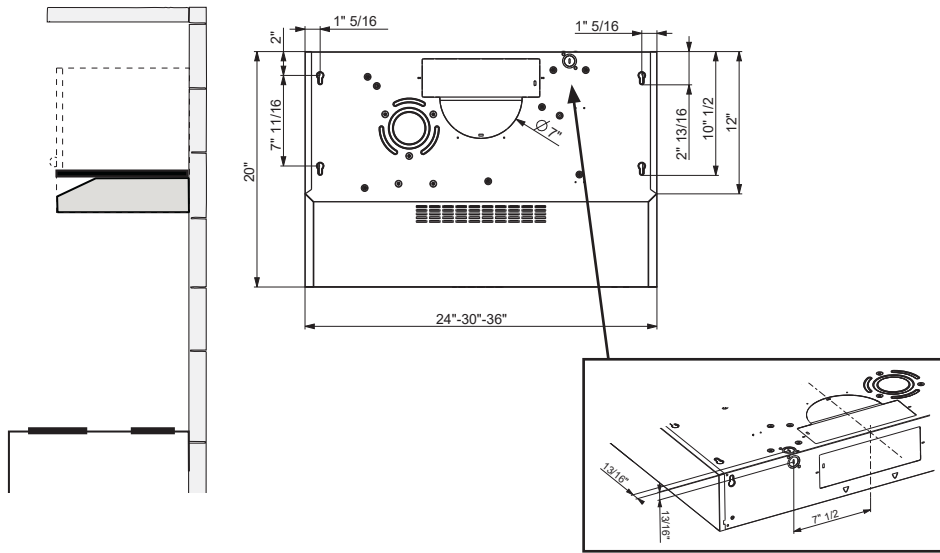
In upper holes use two of the supplied screws to secure the hood body to the wall.

A6

Using two remaining screws anchor the hood in lower holes as indicated.

B1

Installation Instruction for Mounting Under to the Cabinet

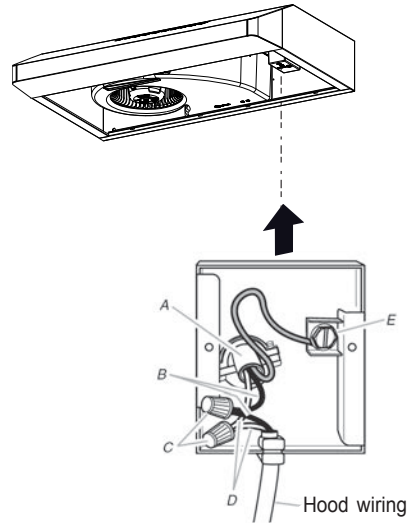


Installation of wiring connection

Remove the cover from the field wiring compartment. Remove the wiring electrical knockout using a flat-blade screwdriver. Feed the Power Supply Cable through the electrical knockout.

Connect the Power Supply Cable to the rangehood. Attach the White lead of the power supply (A) to the White lead of the rangehood (D) with a twist-on type wire connector. Attach the Black lead of the power supply to the Black lead of the rangehood (B) with a twist-on type wire connector (C). Connect the Green (E) (Green and Yellow) ground wire under the Green grounding screw.

Replace the field wiring compartment cover and the grease filters.

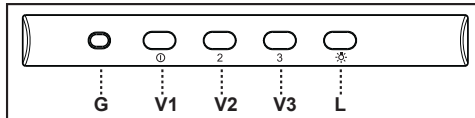


USE AND CARE INFORMATION

For Best Results

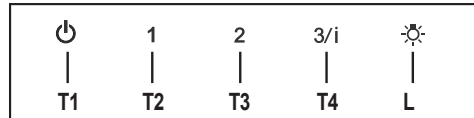
Start the rangehood several minutes before cooking to develop proper airflow. Allow the rangehood to operate for several minutes after cooking is complete to clear all smoke and odors from the kitchen.

Control (Levante I)



- G. Indicator Light
- L. Lights - On and Off.
- V1. Low Speed.
- V2. Medium Speed.
- V3. Maximum Speed..

Control (Levante II)

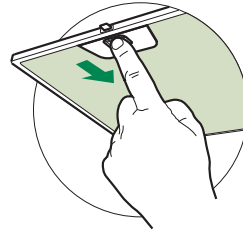


- T1. Fan Off Button: Turn the blower Off. The fan can be operated by pressing any of the fan setting buttons. Hold down this button for 2 seconds to activate delayed off function which will keep the fan On for 15 minutes and automatically shut Off.
- T2. Fan Settings Buttons: Low Speed.
- T3. Fan Settings Buttons: Medium Speed.
- T4. Fan Settings Buttons: High Speed. Hold down the button for 2 seconds to activate the INTENSIVE SPEED, which is timed to run for 10 minutes. At the end of this time it will automatically return to the speed set before. Suitable to deal with maximum levels of cooking fumes.
- L. Light Button: On/Dim/Off switch for the halogen lights. Press the LIGHT button to turn the light on, again to set the lights to dimmer, and again to turn off.

Cleaning metal grease filters

The metal grease filters can be cleaned in hot detergent solution or washed in the dishwasher. They should be cleaned every 2 months use, or more frequently if use is particularly heavy.

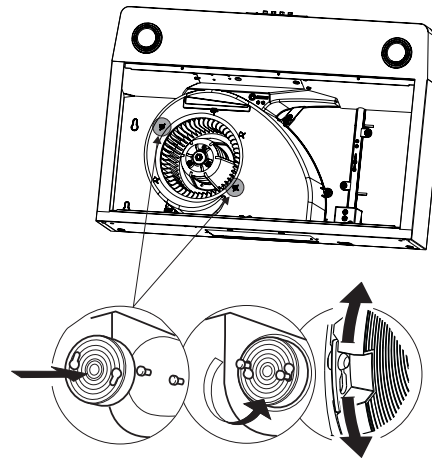
- Remove the filter, pushing the lever towards the back of the unit and at the same time pulling downward.
- Wash the filter without bending it, leave it to dry thoroughly before replacing (if the surface of the filter changes color over time, this will have absolutely no effect on its efficiency).
- Replace, taking care to ensure that the handle faces forward.
- Cleaning in dishwasher may dull the finish of the metal grease filter.



Replacing Activated Charcoal Filter

The Activated Charcoal Filters are not washable and cannot be regenerated, and must be replaced approximately every 4 months of operation, or more frequently with heavy usage.

- Remove the grease filters.
- Remove the saturated carbon filter by releasing the fixing hooks or by removing the two screws for Canadian applications.
- Fit the new filter by hooking it into its seating or by fixing it with the two screws for Canadian applications.
- Replace the grease filters.



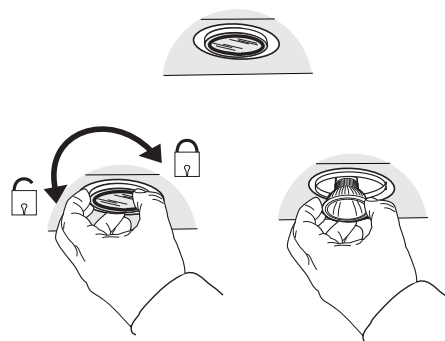
Replacing the bulbs

35 W halogen. Type GU10 bulb

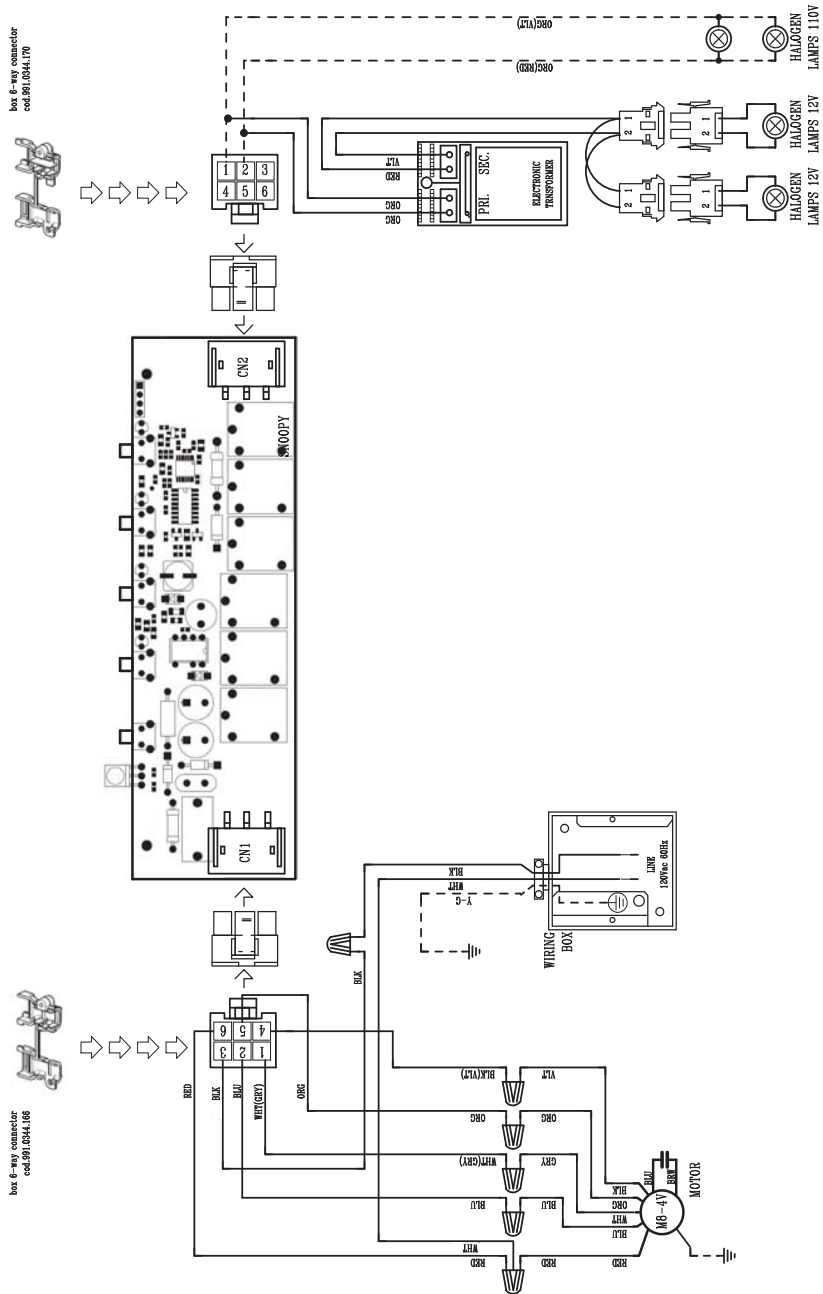
- Remove the bulb (See the picture).
- Replace the bulb with a new one of the same type, making sure that you insert the two pins properly into the housings on the lamp holder and twist to lock back in place.

Attention: the bulbs could be hot, please wait some minutes before the replacing.

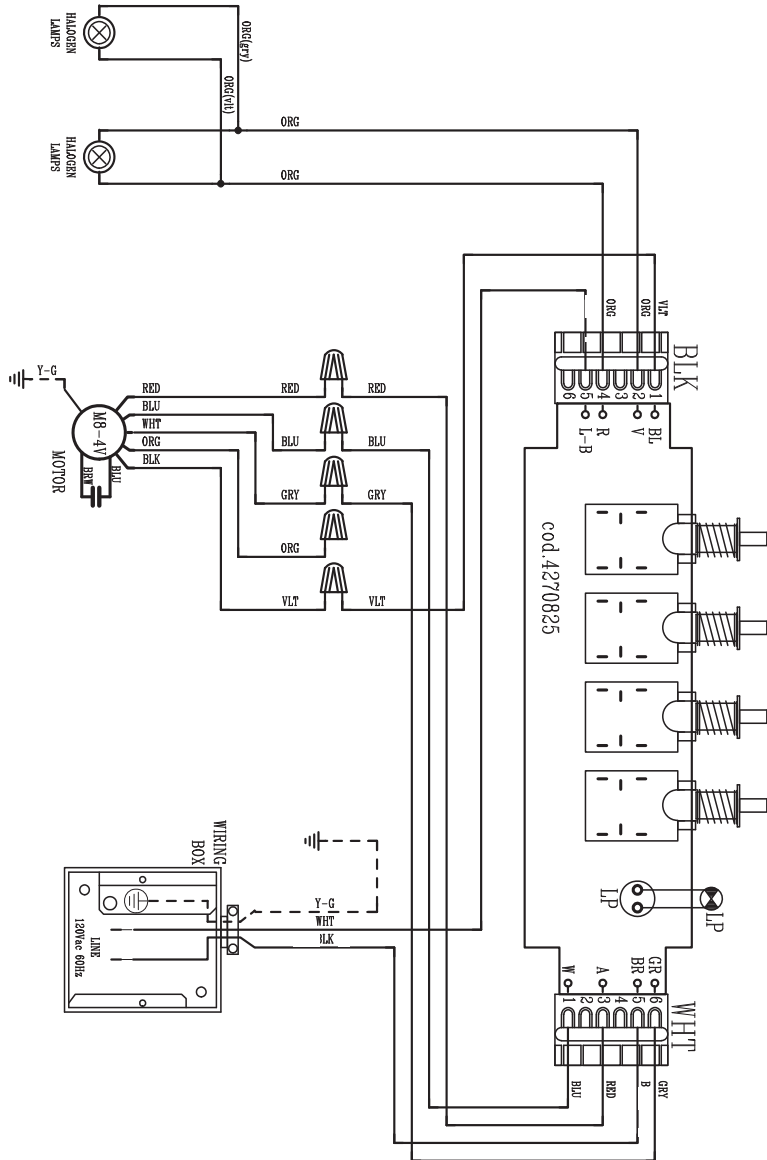
Warning ; Do not install LED lights in place of Halogen.



Wiring Diagram LEVT30SS400-B LEVT36SS400-B



Wiring Diagram
LEVA24SS300-B LEVA24WH300-B
LEVA30SS300-B LEVA30WH300-B LEVA30BK300-B
LEVA36SS300-B LEVA36WH300-B LEVA30BK300-B



This warranty applies for USA and Canada



FABER CONSUMER WARRANTY & SERVICE

All Faber products are warranted against any defect in materials or workmanship for the original purchaser for a period of 1 year from the date of original purchase (requires proof of purchase). This warranty covers labor and replacement parts. Faber, at its option, may repair or replace the product or components necessary to restore the product to good working condition. To obtain warranty service, contact the dealer from whom you purchased the range hood, or the local Faber distributor. If you cannot identify a local Faber distributor, contact us at (508) 358-5353 for the name of a distributor in your area.

The following is not covered by Faber's warranty:

1. Service calls to correct the installation of your range hood, to instruct you how to use your range hood, to replace or repair house fuses or to correct house wiring or plumbing.
2. Service calls to repair or replace range hood light bulbs, fuses or filters. Those consumable parts are excluded from warranty coverage.
3. Repairs when your range hood is used for other than normal, single-family household use.
4. Damage resulting from accident, alteration, misuse, abuse, fire, flood, acts of God, improper installation, installation not in accordance with electrical or plumbing codes or Faber documentation, or use of products not approved by Faber.
5. Replacement parts or repair labor costs for units operated outside the United States or Canada, including any non-UL or C-UL approved Faber range hoods.
6. Repairs to the hood resulting from unauthorized modifications made to the range hood.
7. Expenses for travel and transportation for product service in remote locations and pickup and delivery charges. Faber range hoods should be serviced in the home.

THIS WARRANTY DOES NOT ALLOW RECOVERY OF INCIDENTAL OR CONSEQUENTIAL DAMAGES, INCLUDING, WITHOUT LIMITATION, DIRECT, INDIRECT, INCIDENTAL, SPECIAL OR CONSEQUENTIAL DAMAGES, PERSONAL INJURY/WRONGFUL DEATH OR LOST PROFITS. FABER WARRANTY IS LIMITED TO THE ABOVE CONDITIONS AND TO THE WARRANTY PERIOD SPECIFIED HEREIN AND IS EXCLUSIVE. EXCEPT AS EXPRESSLY SPECIFIED IN THIS AGREEMENT, FABER DISCLAIMS ALL EXPRESS OR IMPLIED CONDITIONS, REPRESENTATIONS, AND WARRANTIES INCLUDING, WITHOUT LIMITATION, ANY IMPLIED WARRANTIES OF MERCHANTABILITY OR FITNESS FOR A PARTICULAR PURPOSE.

This warranty gives you specific legal rights that may vary from state to state.

Model#: _____

Serial #: _____

January 4, 2016

VEUILLEZ LIRE ET CONSERVER LA PRÉSENTE NOTICE AVANT DE COMMENCER L'INSTALLATION DE LA HOTTE DE CUISINE

AVERTISSEMENT : POUR RÉDUIRE LE RISQUE D'UN FEU DE GRAISSE SUR LA TABLE DE CUISSON :

- a) Ne laissez jamais sans surveillance les éléments de la surface de cuisson à température élevée. Les bouillonnements excessifs peuvent provoquer de la fumée et les débordements de graisse peuvent s'enflammer. L'huile doit être chauffée lentement, à une température basse ou moyenne.
- b) Assurez-vous de toujours mettre en marche le ventilateur de la hotte lorsque vous cuisinez à température élevée ou préparez un mets flambé (p.ex. crêpes Suzette, cerises jubilé, bœuf flambé).
- c) Nettoyez régulièrement les ventilateurs d'aspiration. Assurez-vous de ne pas laisser de la graisse s'accumuler sur le ventilateur ou le filtre.
- d) Utilisez toujours des poêles et casseroles de la taille appropriée. Utilisez toujours des ustensiles de cuisine de la taille adaptée à celle de l'élément chauffant.

AVERTISSEMENT : - POUR PRÉVENIR LES BLESSURES EN CAS DE FEU DE GRAISSE SUR LA TABLE DE CUISSON, SUIVEZ LES RECOMMANDATIONS SUIVANTES* :

- a) **ÉTOUFFEZ LES FLAMMES** à l'aide d'un couvercle hermétique, d'une plaque à biscuits ou d'un plateau métallique, puis éteignez le brûleur. **FAITES ATTENTION AUX BRÛLURES.** Si le feu ne s'éteint pas immédiatement, **QUITTEZ LES LIEUX ET APPELEZ LES POMPIERS.**
- b) **NE PRENEZ JAMAIS UNE CASSEROLE EN FLAMME** - Vous pourriez vous brûler.
- c) **N'UTILISEZ JAMAIS DE L'EAU**, ni un linge à vaisselle ou un torchon mouillé, pour éteindre le feu. Cela pourrait provoquer une violente explosion de vapeur.
- d) Utilisez un extincteur **UNIQUEMENT** si :
 1. Vous êtes certain qu'il s'agit d'un extincteur de classe ABC et que vous connaissez bien son mode d'emploi.
 2. Le feu est de faible intensité et se limite à l'endroit où il a démarré.
 3. Les pompiers ont déjà été appelés.
 4. Une voie de sortie se trouve derrière vous pendant que vous éteignez les flammes.

* D'après le guide « Kitchen Firesafety Tips » publié par la NFPA aux États-Unis

AVERTISSEMENT - POUR RÉDUIRE LE RISQUE D'INCENDIE OU DE CHOC ÉLECTRIQUE, n'utilisez jamais ce ventilateur en association avec un dispositif de réglage de vitesse à semi-conducteurs.

AVERTISSEMENT - POUR RÉDUIRE LES RISQUES D'INCENDIE, DE CHOC ÉLECTRIQUE OU DE BLESSURE CORPORELLE, RESPECTEZ LES INSTRUCTIONS SUIVANTES :

1. Utilisez cet appareil uniquement de la façon prévue par le fabricant. Pour toute question, communiquez avec le fabricant.
2. Avant de procéder à l'entretien ou au nettoyage de l'appareil, coupez l'alimentation au niveau du panneau électrique et verrouillez-le pour vous assurer que l'électricité n'est pas rétablie accidentellement. S'il n'est pas possible de verrouiller le dispositif d'interruption de l'alimentation, affichez de façon ferme et bien visible un avis de danger, par exemple à l'aide d'une étiquette sur le panneau.

ATTENTION : Destiné à un usage de ventilation générale uniquement. N'utilisez pas ce dispositif pour l'aspiration de vapeurs ou de matériaux dangereux ou explosifs.

AVERTISSEMENT - POUR RÉDUIRE LES RISQUES D'INCENDIE, DE CHOC ÉLECTRIQUE OU DE BLESSURE CORPORELLE, RESPECTEZ LES INSTRUCTIONS SUIVANTES :

1. L'installation et le branchement électrique doivent être réalisés par un technicien qualifié et conformément à tous les codes et normes en vigueur, incluant ceux concernant la construction à l'épreuve du feu.
2. Afin de garantir une combustion et une évacuation adéquates des gaz par les conduites de la cheminée des appareils à combustion, une bonne aération est nécessaire pour éviter le refoulement. Respectez les lignes directrices fournies par le fabricant du matériel chauffant, ainsi que les normes de sécurité comme celles publiées par la National Fire Protection Association (NFPA) et la American Society for Heating, Refrigeration and Air Conditioning Engineers (ASHRAE) aux États-Unis, ainsi que les codes en vigueur dans votre région.
3. Lorsque vous faites une ouverture ou percez dans un mur ou le plafond, veillez à ne pas endommager les fils électriques ou d'autres dispositifs cachés.
4. Les ventilateurs canalisés doivent toujours être raccordés à l'extérieur.

TOUTE OUVERTURE DANS LE MUR OU LE PLANCHER À PROXIMITÉ DE LA HOTTE DOIT ÊTRE SCELLÉE.

Un espace libre d'au moins 24" est requis entre le bas de la hotte et la surface de cuisson ou le comptoir. Cette hotte a été homologuée par l'UL à cette distance de la surface de cuisson.

L'espace libre minimal requis peut-être plus grand, selon la réglementation en matière de construction de votre région. Pour les cuisinières à gaz et les cuisinières combinées, un espace minimal de 30" est recommandé et pourrait être exigé.

La profondeur maximale des armoires suspendues est de 13". Les armoires suspendues de chaque côté de l'appareil doivent se trouver à au moins 18" de la surface de cuisson ou du comptoir. Consultez la notice d'installation de la surface de cuisson ou de la cuisinière fournie par le fabricant avant de pratiquer des ouvertures.

INSTALLATION DANS UNE MAISON MOBILE L'installation de cette hotte doit être conforme à la Partie 3280 de la norme Manufactured Home Construction and Safety Standards, Title 24 CFR (précédemment la partie 280 de la norme Federal Standard for Mobile Home Construction and Safety, Title 24, HUD). Consultez la fiche technique électrique.

CRITÈRES DE VENTILATION

Déterminez quelle méthode de ventilation est mieux adaptée à votre application. Les conduits peuvent passer par le mur ou le toit.

Pour garantir une meilleure efficacité, la longueur des conduits et le nombre de coudes doivent être le plus limités que possible. Le diamètre des conduits devrait être uniforme. N'installez pas deux coudes ensemble. Utilisez un ruban pour canalisations afin de sceller tous les joints du système de conduits. Utilisez un calfeutrage pour sceller les ouvertures dans le mur extérieur ou le plancher, autour du clapet.

Il n'est pas recommandé d'utiliser des conduits flexibles. Les conduits flexibles provoquent une contre-pression et de la turbulence qui diminuent grandement l'efficacité de l'appareil.

Assurez-vous que l'espace libre dans le mur ou le plancher est suffisant pour le conduit d'évacuation avant de pratiquer les ouvertures. Ne coupez jamais une poutre ou un chevron, sauf si c'est absolument nécessaire. S'il s'avère nécessaire de couper une poutre ou un chevron, la construction d'un renforcement est requise.

AVERTISSEMENT - Pour réduire le risque d'incendie, utilisez uniquement des conduits métalliques.

ATTENTION - Pour réduire le risque d'incendie et pour évacuer adéquatement l'air, assurez-vous de raccorder les conduits à l'extérieur – Ne diffusez pas l'air d'évacuation dans des espaces à l'intérieur des murs ou du plafond, ou encore à l'intérieur d'un grenier, d'une galerie technique ou d'un garage.

Installation dans les climats froids

Le système de ventilation doit prévoir un registre antirefoulement supplémentaire pour réduire le flux d'air froid inverse, ainsi qu'une barrière thermique pour réduire la conduction des températures extérieures. Le registre doit être installé du côté air froid par rapport à la barrière thermique. La barrière thermique doit être positionnée le plus près que possible de l'endroit où le système de ventilation pénètre dans la partie chauffée de la maison.



AVERTISSEMENT

- Le système de ventilation DOIT déboucher à l'extérieur.
- **NE FAITES PAS** déboucher les conduits dans un grenier ou un autre endroit fermé.
- **N'UTILISEZ PAS** un clapet de sècheuse mural de 4 " .
- Il n'est pas recommandé d'utiliser des conduits flexibles.
- **N'ENTRAVEZ PAS** le flux de l'air de combustion et de ventilation.
- Le non-respect des exigences en matière de ventilation pourrait entraîner un incendie.

FICHE TECHNIQUE ÉLECTRIQUE

Une alimentation de courant alternatif de 120 volt à 60 Hz est requise sur un circuit à fusible distinct de 15 ampères. Il est recommandé d'installer un fusible temporisé ou un disjoncteur. Le fusible doit être calibré conformément aux codes en vigueur pour les caractéristiques nominales électriques de l'appareil, indiquées sur la plaque signalétique située à l'intérieur de l'appareil, à proximité du compartiment des câblages externes.

INSTALLATION ÉLECTRIQUE AVEC BOÎTIER DE CÂBLAGES

CET APPAREIL DOIT ÊTRE UNIQUEMENT BRANCHÉ À L'AIDE DE FILS DE CUIVRE. Le calibre des fils doit être conforme aux critères de la dernière édition du National Electrical Code, de l'ANSI/NFPA 70 et de l'ensemble des codes et réglementations en vigueur. Le calibre des fils et les connexions doivent être adaptés aux caractéristiques nominales de l'appareil. Il est possible de se procurer un exemplaire des normes indiquées ci-dessus en communiquant avec :

National Fire Protection Association
Batterymarch Park
Quincy, Massachusetts 02269 (États-Unis)

Cet appareil devrait être branché directement au sectionneur à fusible (ou au disjoncteur) par un câble flexible de cuivre avec blindage ou gaine non métallique. Laissez un peu de jeu dans le câble pour permettre le déplacement de l'appareil si des travaux d'entretien s'avéraient nécessaires. Un raccord de conduit homologué par l'UL de 1/2 " doit être installé aux deux extrémités du câble d'alimentation (au niveau de l'appareil et de la boîte de liaison).

Lors de la réalisation du branchement électrique, réalisez un trou de 1 1/4 " dans le mur. S'il s'agit d'un trou dans le bois, il doit être poncé pour le rendre lisse. S'il s'agit d'un trou dans le métal, un passe-fils est requis.



AVERTISSEMENT

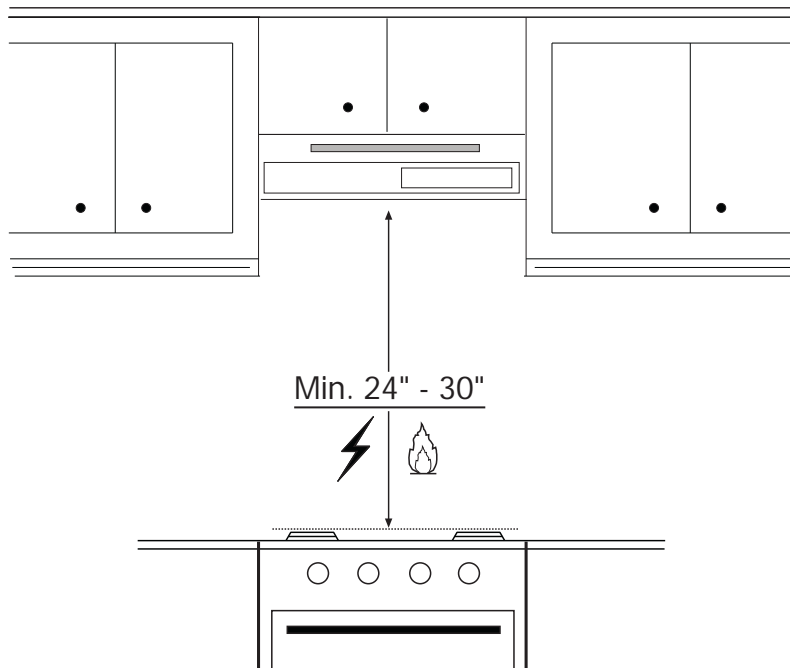
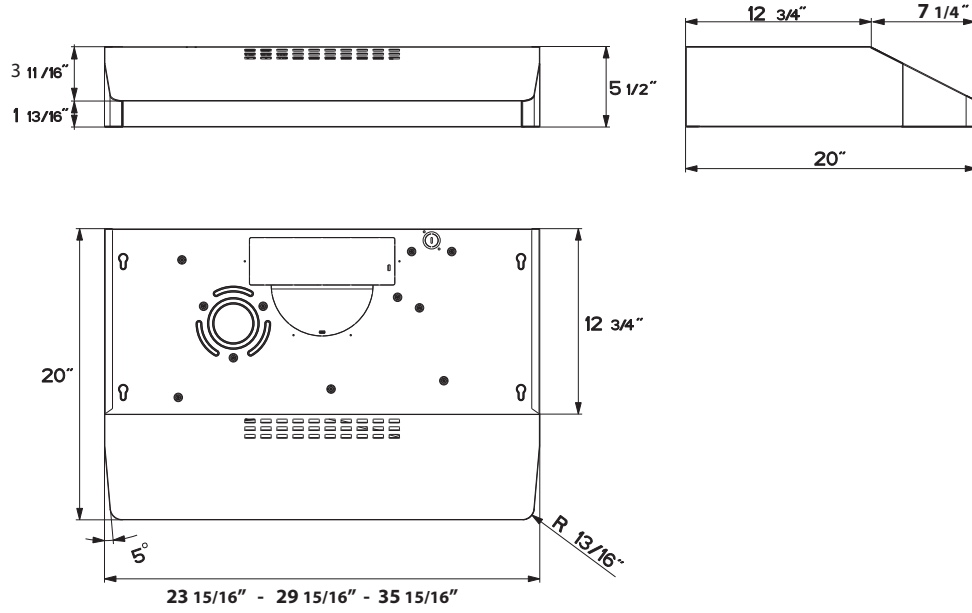
- Une mise à la terre électrique est requise pour cette hotte.
- N'UTILISEZ PAS un tuyau d'eau froide pour la mise à la terre si celui-ci est branché par des joints en plastique, par des rondelles non métalliques ou d'autres matériaux.
- N'UTILISEZ PAS une conduite de gaz pour la mise à la terre.
- N'INSTALLEZ PAS un fusible sur le circuit neutre ou le circuit de mise à la terre. La présence d'un fusible dans le circuit neutre ou de mise à la terre peut entraîner un choc électrique.
- Consultez un électricien qualifié si vous n'êtes pas certain de la mise à la terre de la hotte.
- Le non-respect des exigences de la fiche technique électrique pourrait entraîner un incendie.

Avertissement de la proposition 65 de l'État de Californie (US seulement)

⚠ ATTENTION

Ce produit contient des produits chimiques connus de l'État de Californie pour causer le cancer et des malformations congénitales ou d'autres problèmes de reproduction. Pour plus d'informations, visitez www.P65Warnings.ca.gov

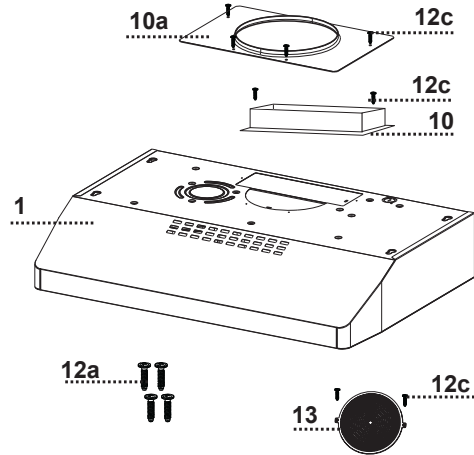
DIMENSIONS DE LA HOTTE



PIÈCES PRINCIPALES

Composants

Réf.	Qté	Composants du produit
1	1	Bâti de la hotte, avec : Commandes, Éclairage, Filtres, Ventilateur.
10	1	Registre 3 1/4 " x 10 "
10a	1	Bride ronde 7 "
13	1	Grille (Canada uniquement)
Réf.	Qté	Composants d'installation
12a	4	Vis 3/16 " x 1 15/16 " (pour pose murale)
12c	6	Vis 1/8 " x 3/8 " (pour raccord de transition flasque fourni)
Qté	Documentation	
1	Mode d'emploi	



Pièces requises

- Registre circulaire 7 " si bride ronde 7 " utilisée.
- Chevilles pour cloison sèche ou autre système de fixation mural, en fonction de votre installation (achat local).
- Connecteurs de fils.

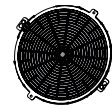
Si l'installation prévoit la fixation de l'appareil au dessous d'armoires en bois avec un fond en retrait; il faut se procurer sur place des bandes de bois de 1 " x 2 " x 12 " (longueur approximative). Les vis de montage mural 12C peuvent s'avérer adéquates en guise de fixation pour ce type d'installation. Dans le cas contraire, il est également nécessaire de se procurer sur place quatre vis à bois à tête plate.

Accessoires disponibles

Filter à charbon actif (**FILTER5**)

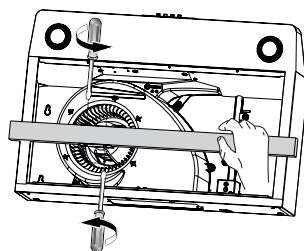
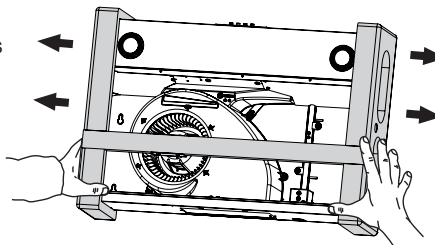
Note: pour l'installation au Canada. Le filtre doit être fixé avec deux vis. (voir page 29 figure b). Les filtres doivent être achetés uniquement auprès de distributeurs Faber autorisés.

Télécommande-**REMCTRL**- (Modèles Levante II uniquement).

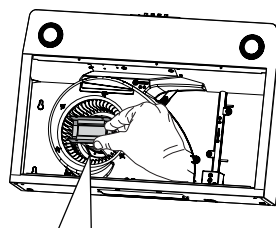


Retirez les matériaux d'emballage suivants avant de procéder à l'installation

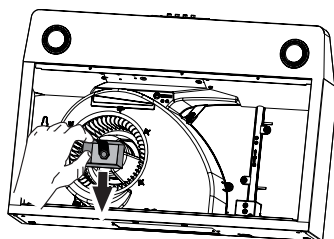
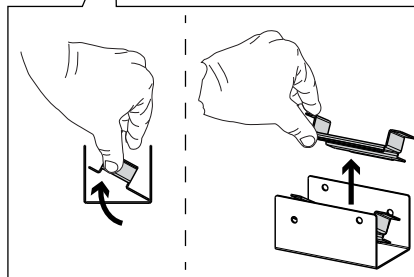
Enlevez les emballages latéraux.



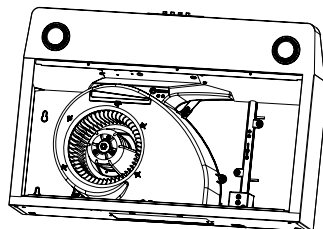
Enlevez le cadre de bois en dévissant les 4 vis.



Déplacez le bloc interne comme indiqué dans une figure à droite.



Déplacez le bloc comme indiqué dans une figure à gauche.

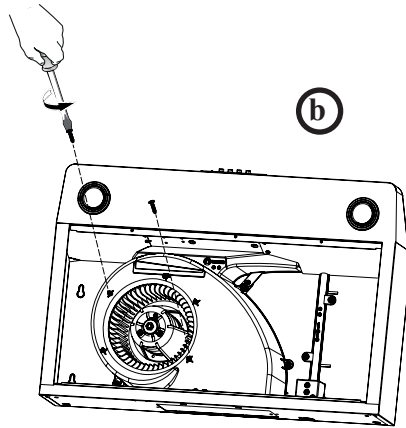
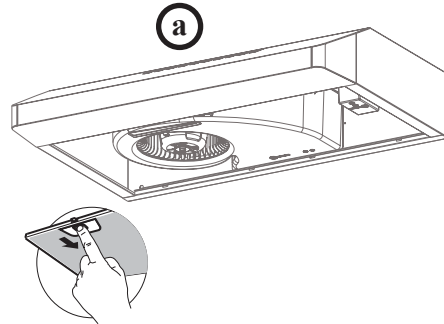


Vous êtes prêt à procéder à l'installation.



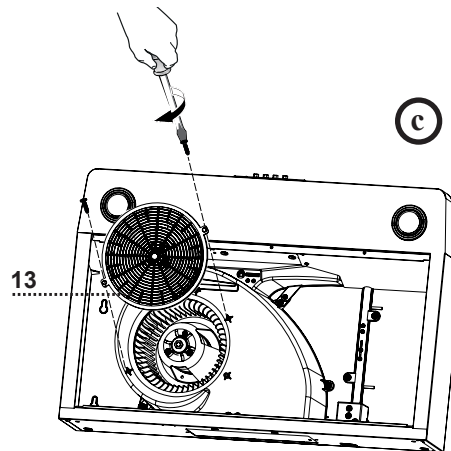
POUR LE MARCHÉ CANADIEN UNIQUEMENT

Retirez les filtres un à un, en les poussant simultanément vers l'arrière du groupe et en les tirant vers le bas.

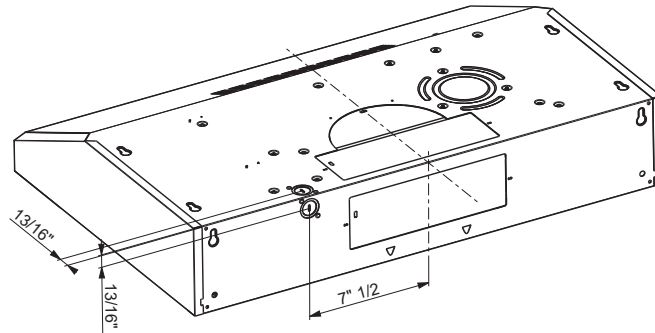


Retirez les 2 vis déjà posées.

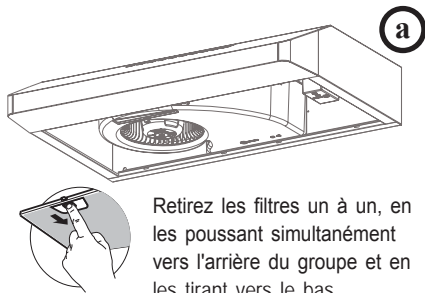
Installez la grille 13 à l'aide de 2 vis enlevées précédemment, comme dans l'illustration.



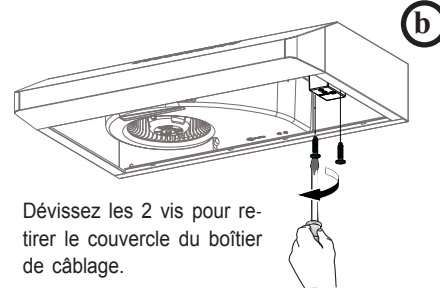
Choisir l'entrée électrique défonçable verticale ou horizontale



Avant de procéder au défonçement de l'entrée électrique verticale ou horizontale



Retirez les filtres un à un, en les poussant simultanément vers l'arrière du groupe et en les tirant vers le bas.



Dévissez les 2 vis pour retirer le couvercle du boîtier de câblage.

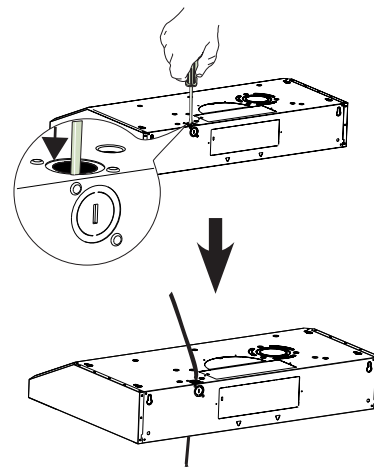
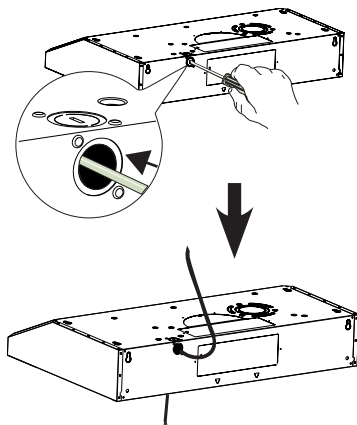
Choisissez si vous utiliserez l'orifice arrière ou l'orifice supérieur pour le branchement électrique et brisez l'orifice choisi à l'aide d'un tournevis ou d'un autre outil.

Durant l'installation, faites passer le câble d'alimentation électrique dans cet orifice.

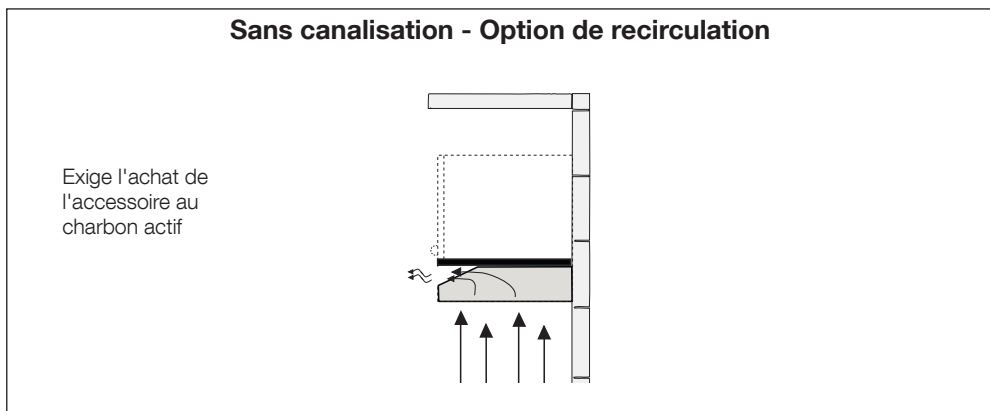
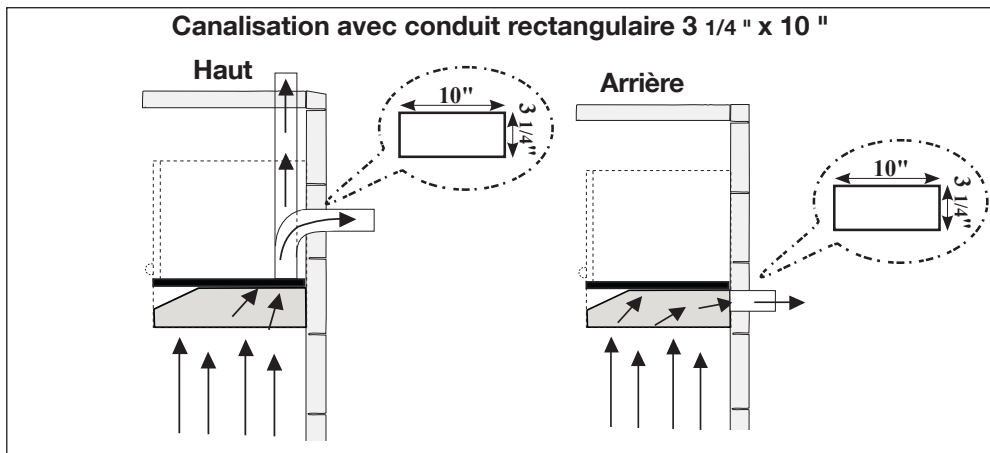
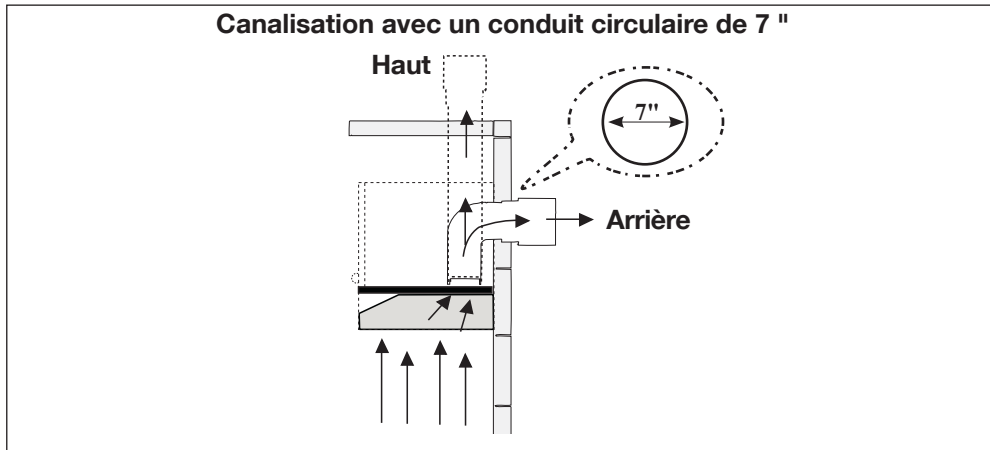
Orifice arrière (horizontal)

c

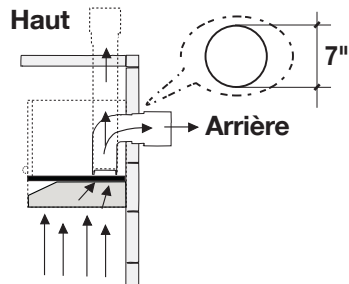
Orifice supérieur (vertical)



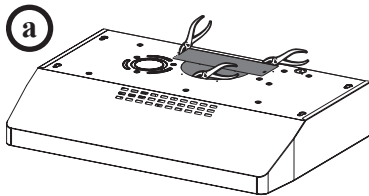
Méthodes de canalisation



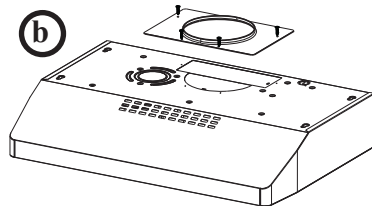
Avec canalisation - conduit circulaire 7 "



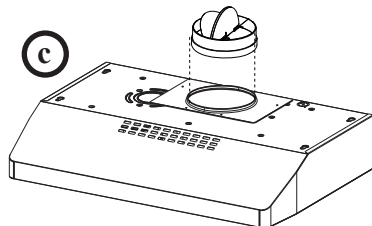
Requis : registre circulaire 7 " à se procurer sur place.



Coupez aux endroits indiqués.
Retirez les zones angulaires et le demi-cercle à l'aide de cisailles à métaux.



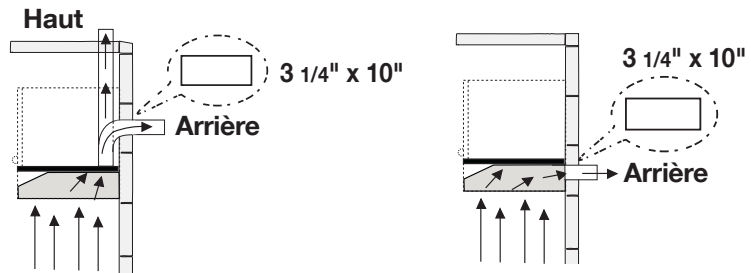
Installez le flasque à l'aide des vis pour raccord de transition du flasque 12c.



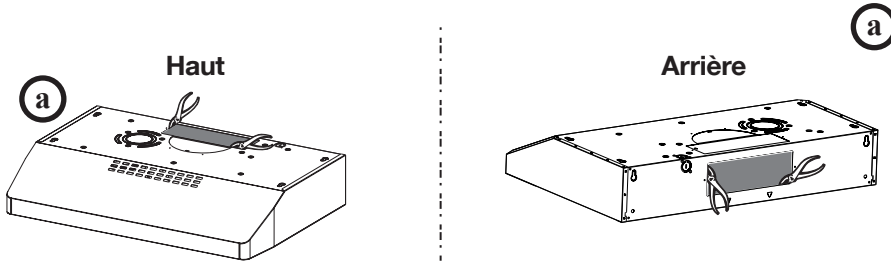
Installez le registre circulaire 7 " acheté séparément.

Passez à la page 35

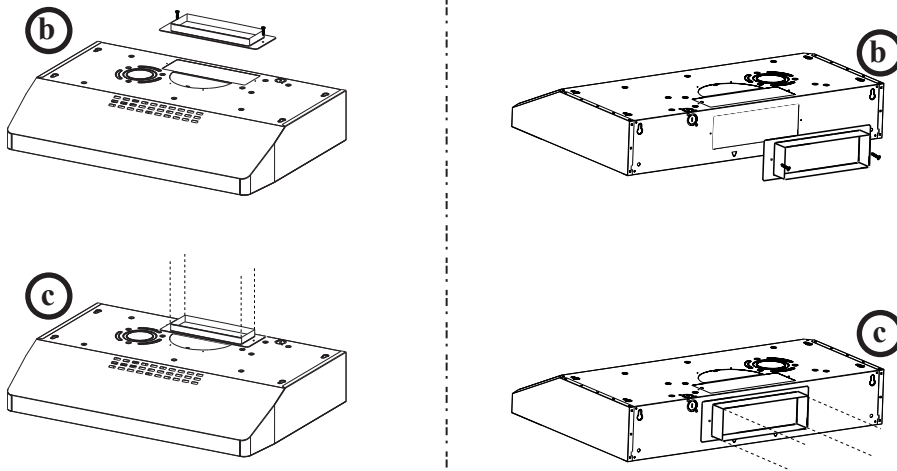
Avec canalisation - 3 1/4 " x 10 "



Choisissez la sortie d'air rectangulaire supérieure ou arrière et coupez à l'endroit indiqué.

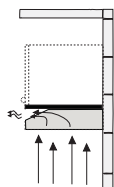


Installez la sortie d'air rectangulaire fournie à l'aide de deux vis pour raccord de transition du flasque .

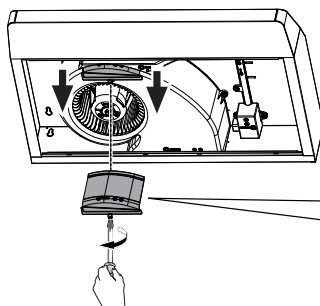


Passez à la page 35

Option de recirculation sans canalisation

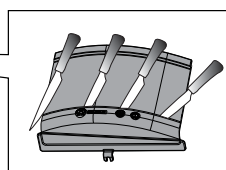


a



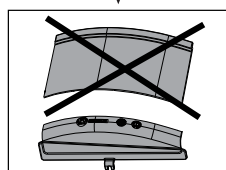
Retirez le couvercle du ventilateur indiqué (conservez la vis).

b1



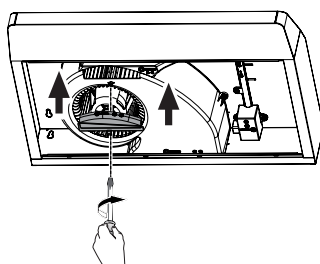
Coupez le couvercle à l'endroit indiqué dans l'illustration b1.

b2



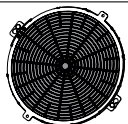
Jetez/ Recyclez les pièces supérieur du couvercle du ventilateur.

b3



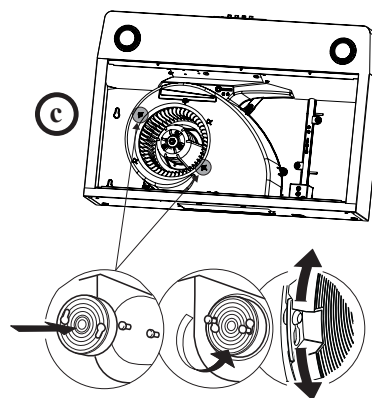
Remettez le couvercle du ventilateur modifié en place à l'aide de la même vis.

Accessoire au charbon actif requis - (FIL-TRE5) acheté séparément.

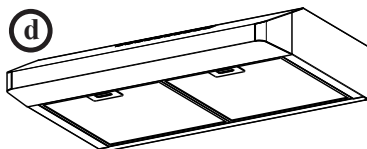


Installez le filtre au charbon actif acheté séparément à l'endroit indiqué dans l'illustration.

c

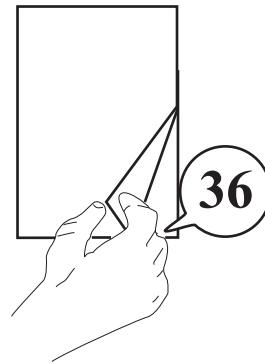
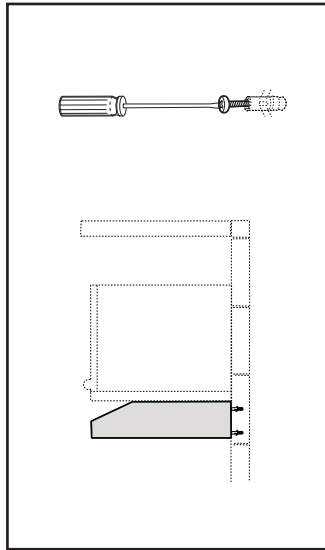


d

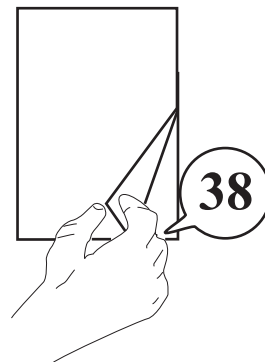
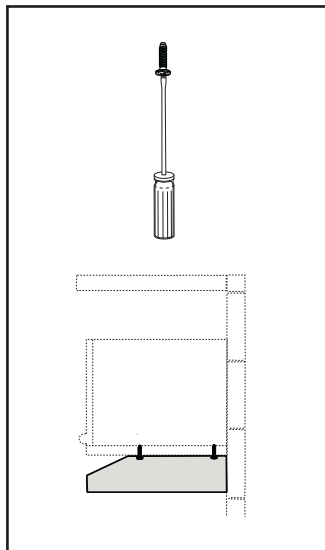


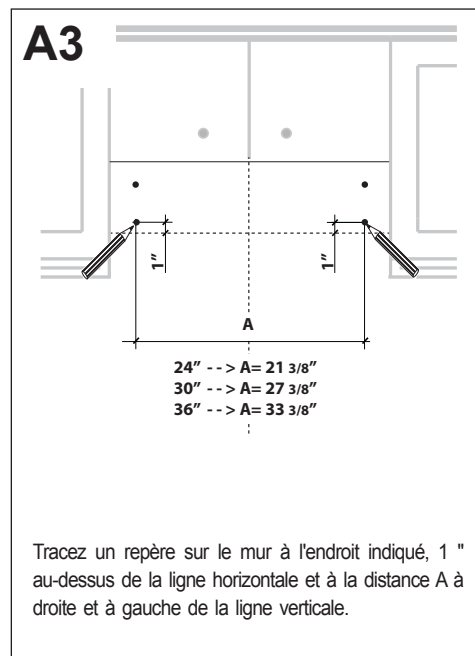
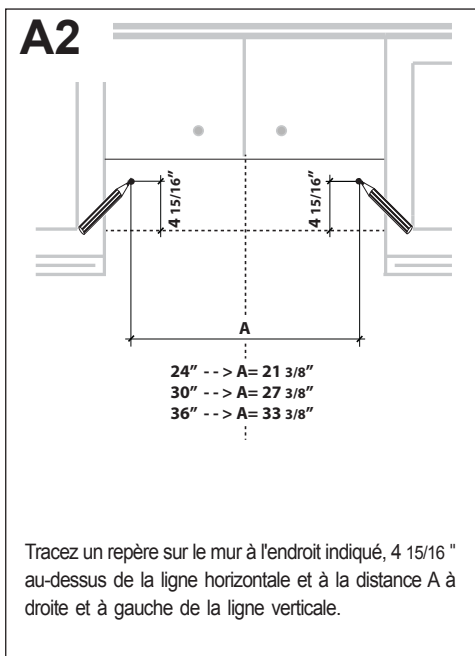
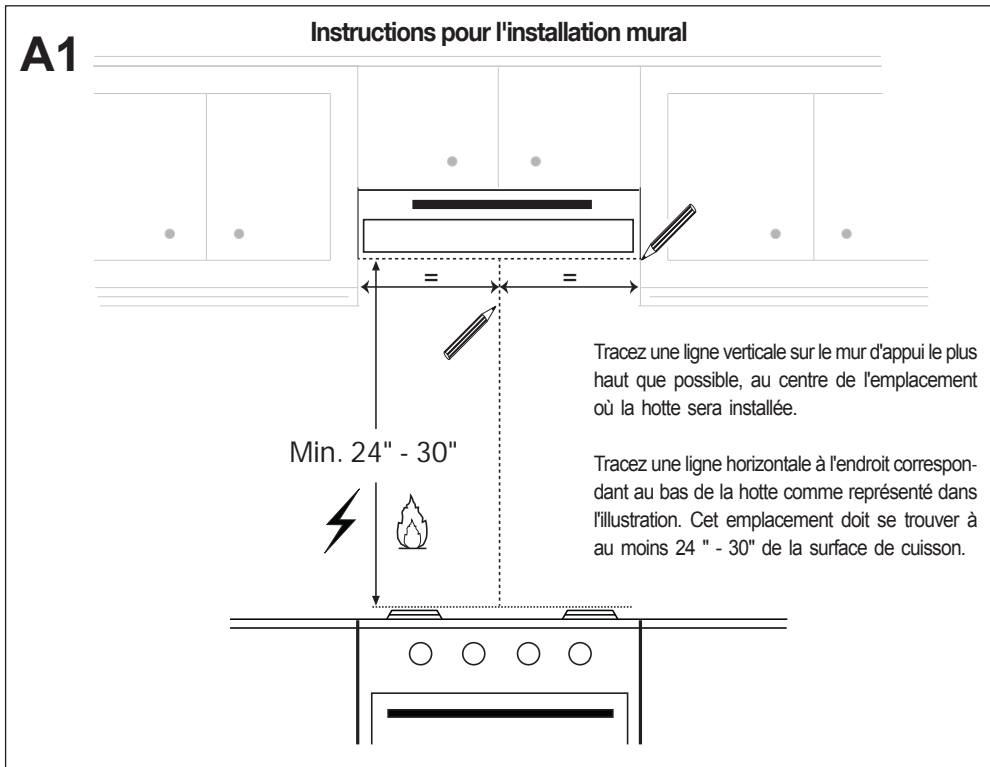
Avant d'utiliser la hotte, remettez en place le filtre à graisse après avoir installé le filtre à charbon actif.

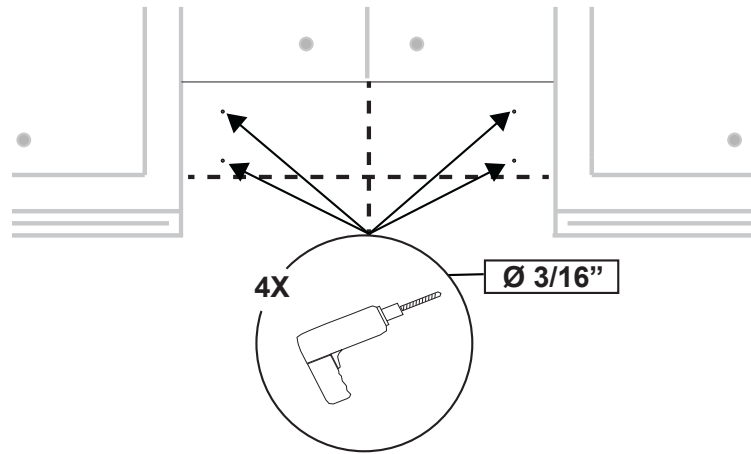
Installation pour montage mural



Installation pour montage à l'armoire



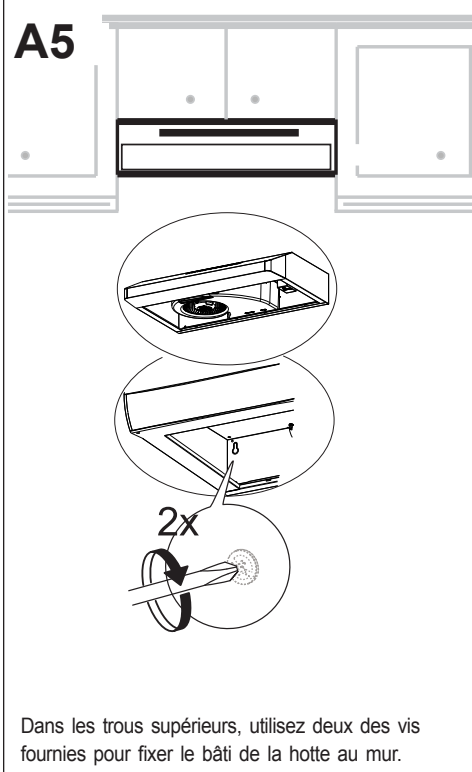


A4

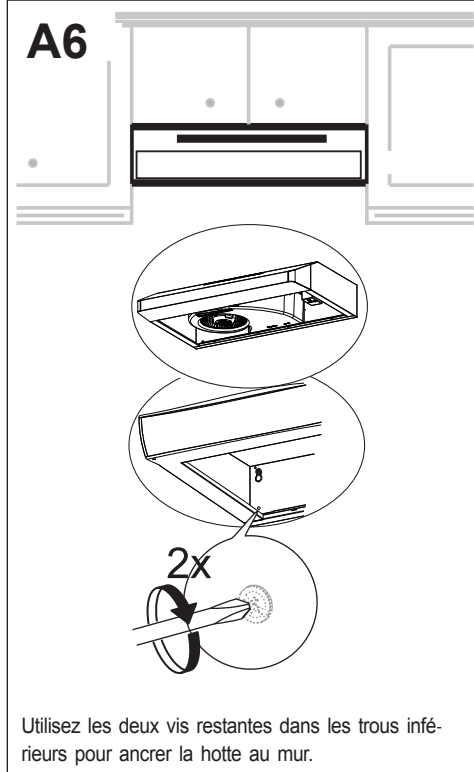
Percez des trous de $\varnothing 3/16$ " directement au centre des repères.

Insérez les chevilles achetées dans les trous.

Si l'emplacement des fixations n'est pas aligné avec les chevrons, insérez les chevilles achetées dans les trous.

A5

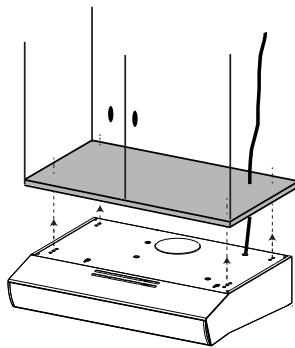
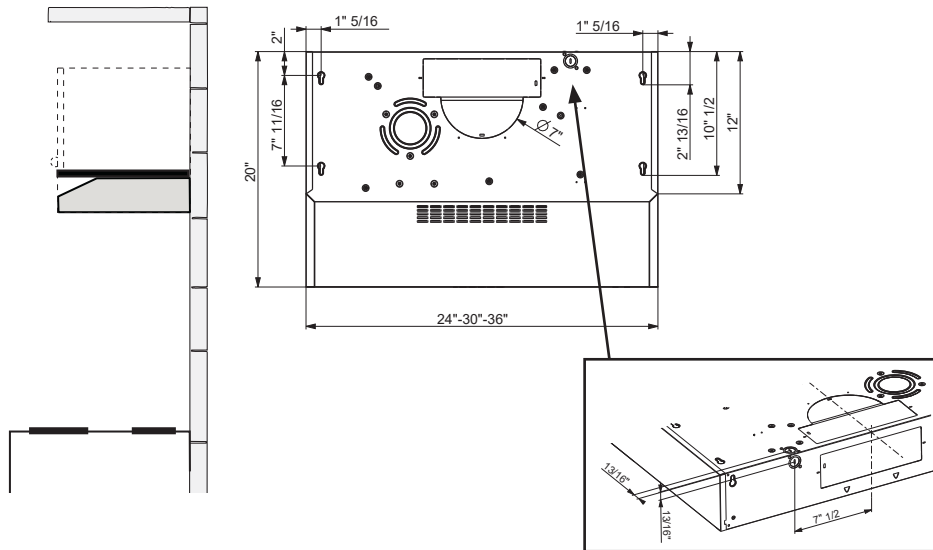
Dans les trous supérieurs, utilisez deux des vis fournies pour fixer le bâti de la hotte au mur.

A6

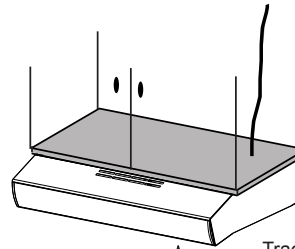
Utilisez les deux vis restantes dans les trous inférieurs pour ancrer la hotte au mur.

B1

Instructions pour l'installation sous une armoire

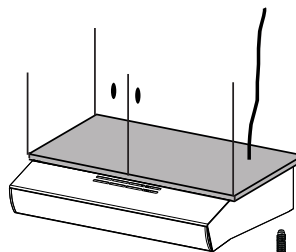


Soulevez la hotte jusqu'à l'armoire.



Tracez les repères pour l'installation en vérifiant les mesures à l'aide du diagramme.

4x 



Fixez le bâti de la hotte par le dessous à l'aide des 4 vis.

4x 

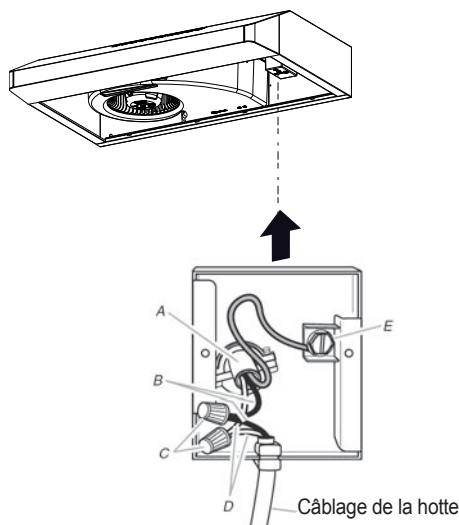


Réalisation des branchements

Retirez le couvercle du compartiment des câblages externes. Défoncez l'entrée électrique à l'aide d'un tournevis plat. Faites passer le câble d'alimentation dans l'entrée électrique défoncée.

Branchez le câble d'alimentation à la hotte. Branchez le fil blanc de l'alimentation (A) au fil blanc de la hotte (D) à l'aide d'un connecteur verrouillé par rotation. Branchez le fil noir de l'alimentation au fil noir de la hotte (B) à l'aide d'un connecteur verrouillé par rotation (C). Branchez le câble vert (E) (vert et jaune) de mise à la terre sous la mise à la terre verte.

Remettez le couvercle du compartiment des câblages externes et les filtres à graisse en place.

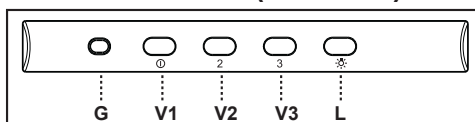


INFORMATIONS POUR L'UTILISATION ET L'ENTRETIEN

Pour de meilleurs résultats

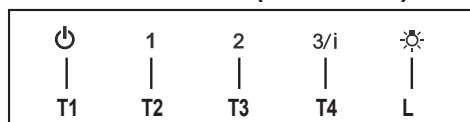
Activez la hotte quelques minutes avant de commencer à cuisiner pour créer un flux d'air adéquat. Laissez la hotte fonctionner quelques minutes après avoir fini de cuisiner pour absorber toute la fumée et les odeurs de la cuisine.

Commandes (Levante I)



- G. Témoin
- L. Éclairage - Marche et Arrêt.
- V1. Vitesse réduite.
- V2. Vitesse moyenne.
- V3. Vitesse maximale.

Commandes (Levante II)

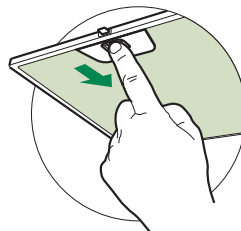


- T1. Désactivation du ventilateur : éteint le ventilateur. Le ventilateur peut être allumé en appuyant sur l'un ou l'autre des boutons de réglage.
Tenez ce bouton enfoncé pendant 2 secondes pour activer la fonction de désactivation retardée, qui éteindra automatiquement le ventilateur après 15 minutes de marche.
- T2. Boutons de réglage du ventilateur : vitesse réduite.
- T3. Boutons de réglage du ventilateur : vitesse moyenne.
- T4. Boutons de réglage du ventilateur : vitesse élevée.
Tenez le bouton enfoncé pendant environ 2 secondes pour activer la VITESSE INTENSIVE, pour une durée de 10 minutes. Après ce délai, la vitesse retournera automatiquement à la vitesse sélectionnée précédemment. Utile pour contrer les émanations maximales de cuisson.
- L. Bouton pour l'éclairage : Commutateur Marche/Intensité variable/Arrêt pour l'éclairage halogène. Appuyez sur le bouton LIGHT pour mettre l'éclairage en marche, de nouveau pour varier l'intensité et une nouvelle fois pour éteindre.

Nettoyage des filtres à graisse métalliques

Les filtres à graisse métalliques peuvent être lavés dans une solution d'eau chaude savonneuse ou dans le lave-vaisselle. Ils devraient être nettoyés tous les 2 mois d'utilisation, ou plus fréquemment en cas d'utilisation particulièrement intensive.

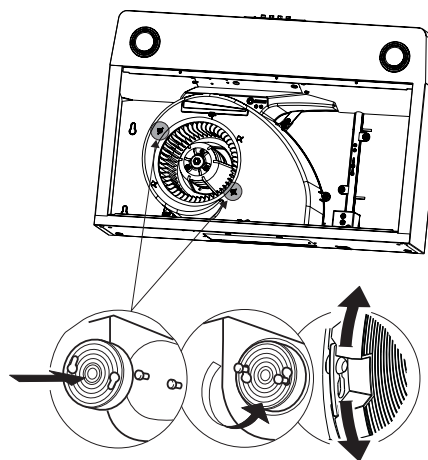
- Retirez le filtre, en poussant simultanément le levier vers l'arrière de l'appareil et en le tirant vers le bas.
- Lavez le filtre sans le plier. Laissez-le sécher complètement avant de le réinstaller (un changement de la couleur à la surface du filtre au fil du temps n'a aucun impact sur son efficacité).
- Remettez-le en place, en vous assurant que la poignée se trouve vers l'avant.
- Le lave-vaisselle pourrait ternir le fini du filtre à graisse métallique.



Remplacement du filtre à charbon actif

Les filtres à charbon actif ne sont pas lavables et ne peuvent être régénérés. Ils doivent être remplacés environ tous les 4 mois d'utilisation, ou plus souvent en cas d'utilisation intensive.

- Retirez les filtres à graisse.
- Retirez le filtre à charbon saturé en détachant les crochets de fixation ou en enlevant les deux vis pour l'application canadienne.
- Posez le nouveau filtre en l'installant à son emplacement ou en le fixant à l'aide des deux vis pour l'application canadienne.
- Remplacez les filtres à graisse.



Remplacement des ampoules

Halogènes 35 W. Ampoules de type GU10

- Retirez l'ampoule (consultez l'illustration).
- Remplacez l'ampoule avec une autre du même type, en vous assurant d'insérer correctement les deux connecteurs dans leur logement, puis tournez pour la verrouiller en place.

Attention: les lampes pourraient être chaudes; attendre quelques minutes avant leur remplacement.

Attention: Ne pas installer des lumières LED à la place du halogène.

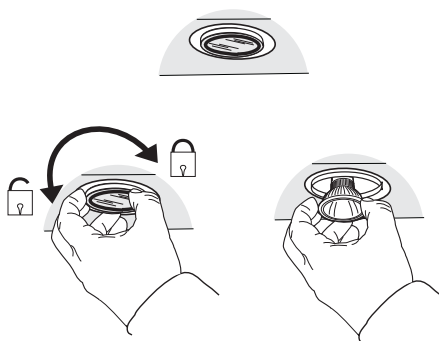


Schéma de câblage LEVT30SS400-B LEVT36SS400-B

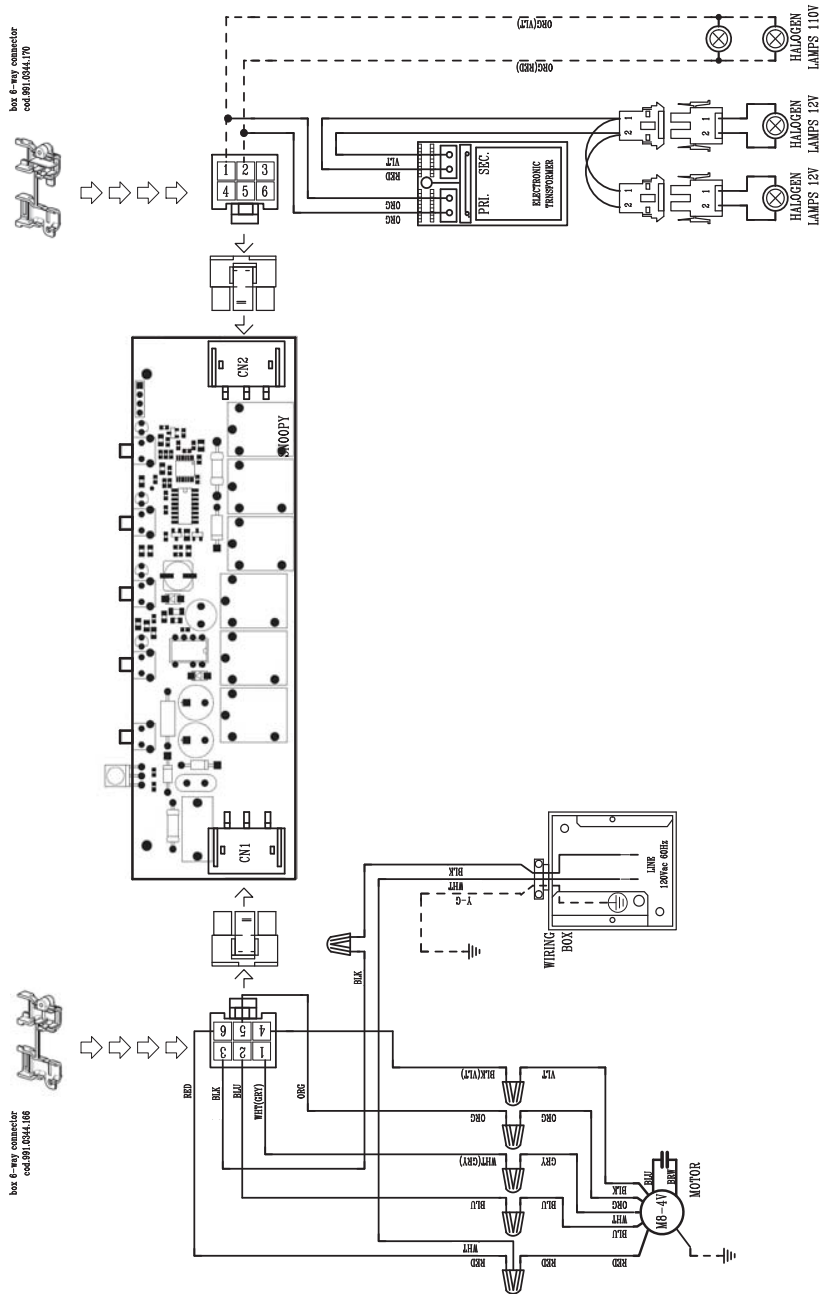
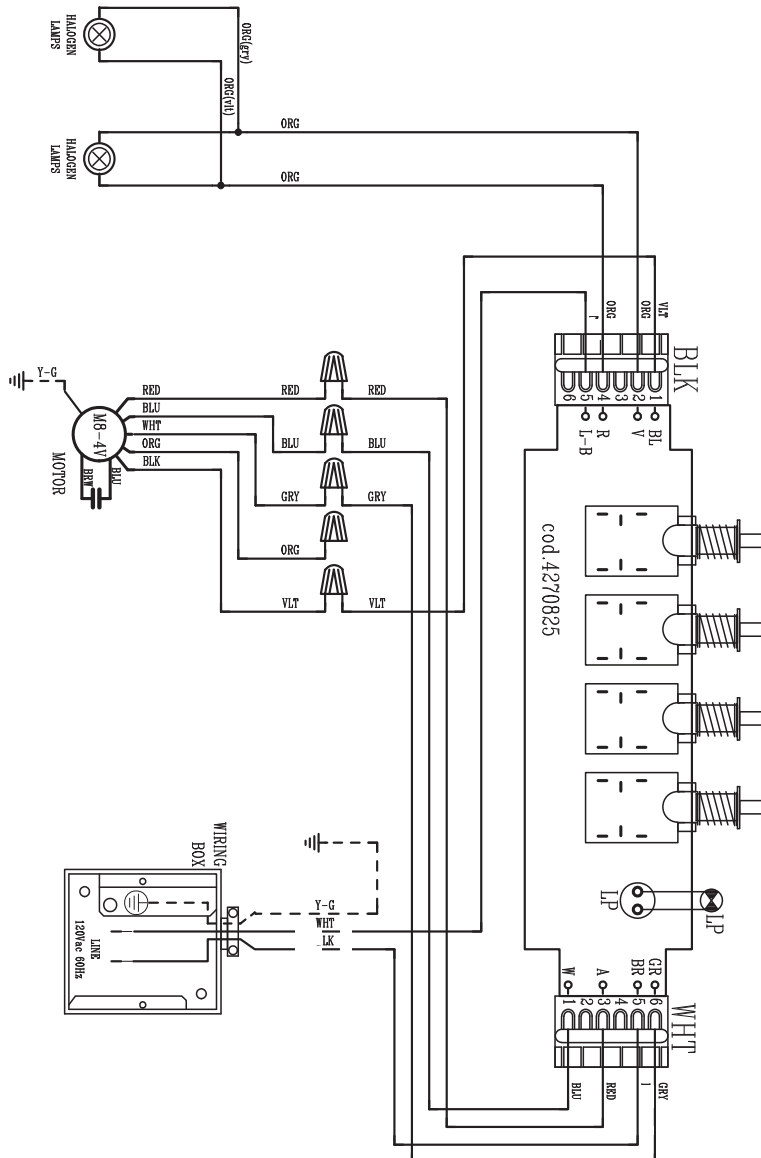


Schéma de câblage
LEVA24SS300-B LEVA24WH300-B
LEVA30SS300-B LEVA30WH300-B LEVA30BK300-B
LEVA36SS300-B LEVA36WH300-B LEVA30BK300-B



Cette garantie s'applique aux États-Unis et au Canada



GARANTIE LIMITÉE ET SERVICE FABER

Tous les produits Faber font l'objet d'une garantie contre les défauts de matériel et de main-d'œuvre, accordée à l'acheteur original pour une période d'un (1) an à compter de la date d'achat initiale (preuve d'achat requise). Cette garantie couvre les frais de main-d'œuvre et les pièces de rechange. À sa discrétion, Faber peut réparer ou remplacer le produit ou les composants nécessaires à remettre le produit en bon état de marche. Pour bénéficier de services prévus par la garantie, veuillez communiquer avec le détaillant auprès duquel vous avez acheté la hotte de cuisine, ou encore avec le distributeur Faber de votre région. Si vous n'êtes pas en mesure de localiser un distributeur Faber dans votre région, veuillez communiquer avec nous au 508-358-5353 pour connaître le nom d'un distributeur à proximité.

Les éléments suivants ne sont pas visés par la garantie Faber :

1. Les appels au service de réparation visant à corriger l'installation de la hotte de cuisine, à recevoir des instructions sur l'utilisation de la hotte de cuisine, le remplacement ou la réparation des fusibles du domicile ou la correction des câblages ou de la plomberie du domicile.
2. Les appels au service de réparation visant à réparer ou remplacer les ampoules électriques de hotte, les fusibles ou les filtres. Ces pièces consommables ne sont pas couvertes par la garantie.
3. Les réparations si votre hotte de cuisine est employée à des fins autres que celles prévues, soit l'utilisation résidentielle normale pour une famille.
4. Les dommages découlant d'un accident, d'une modification, de l'utilisation incorrecte ou abusive, d'un incendie, d'une inondation, d'un cas de force majeure, d'une installation inadéquate, d'une installation non conforme aux codes en matière d'électricité ou de plomberie ou à la documentation fournie par Faber, ou encore d'une utilisation du produit non approuvée par Faber.
5. Les frais de main-d'œuvre ou de remplacement des pièces pour les appareils utilisés à l'extérieur des États-Unis ou du Canada, y compris toutes les hottes de cuisine Faber non-UL ou C-UL homologuées.
6. Les réparations à la hotte découlant de modifications non autorisées apportées à la hotte de cuisine.
7. Les frais encourus pour les déplacements et le transport de produits en région éloignée et les frais de cueillette et livraison. La réparation des hottes de cuisine Faber doit être réalisée à domicile.

LA PRÉSENTE GARANTIE NE PRÉVOIT AUCUNE FORME DE DÉDOMMAGEMENT EN CAS DE DOMMAGES ACCESSOIRES OU CONSÉCUTIFS, Y COMPRIS, SANS TOUTEFOIS S'Y LIMITER, LES DOMMAGES DIRECTS, INDIRECTS, ACCESSOIRES, PARTICULIERS OU CONSÉCUTIFS, LES LÉSIONS CORPORELLES/MORTELLES OU LA PERTE DE PROFITS. LA GARANTIE OFFERTE PAR FABER EST LIMITÉE AUX CONDITIONS ÉNONCÉES CI-DESSUS ET À LA PÉRIODE DE GARANTIE INDIQUÉE DANS LES PRÉSENTES ET EST EXCLUSIVE. SAUF DISPOSITIONS EXPRESSES CONTRAIRES DANS LE PRÉSENT ACCORD, FABER DÉCLINE TOUTE CONDITION, REPRÉSENTATION OU GARANTIE EXPLICITE OU IMPLICITE, Y COMPRIS, SANS TOUTEFOIS S'Y LIMITER, TOUTE GARANTIE IMPLICITE DE QUALITÉ MARCHANDE OU D'ADAPTATION À UN USAGE PARTICULIER.

Les droits qui vous sont conférés en vertu de la présente garantie peuvent varier d'une province ou d'un État à l'autre.

N° de modèle : _____ N° de série : _____

4 janvier 2016

LEA Y GUARDE ESTAS INSTRUCCIONES ANTES DE EMPEZAR LA INSTALACIÓN DE ESTA CAMPANA

ADVERTENCIA: - PARA REDUCIR EL RIESGO DE INCENDIO DE GRASA:

- A) Nunca deje las unidades de superficie desatendidas en los ajustes altos. Los derrames por ebullición pueden causar humos y derrames de grasa que pueden encenderse. Caliente los aceites lentamente en un ajuste bajo o medio.
- B) Siempre encienda la campana cuando cocine a fuego alto o al flambear alimentos (por ejemplo, Crepes Suzette, Cherries Jubilee, Peppercorn Beef Flambé).
- C) Limpie los ventiladores frecuentemente. No se debe permitir que la grasa se acumule en el ventilador o en el filtro.
- D) Utilice una cacerola de tamaño adecuado. Utilice siempre utensilios de cocina apropiados para el tamaño del elemento de superficie.

ADVERTENCIA: - PARA REDUCIR EL RIESGO DE LESIONES A PERSONAS EN CASO DE INCENDIO DE GRASA EN LA CAMPANA, TENGA EN CUENTA LO SIGUIENTE*:

- A) APAGUE LAS LLAMAS con una tapa bien cerrada, una bandeja para galletas o una bandeja metálica, luego apague el quemador. TENGA CUIDADO PARA EVITAR QUEMADURAS. Si las llamas no salen inmediatamente EVACUE Y LLAME A LOS BOMBEROS.
- B) NUNCA RECOGER UNA CACEROLA EN LLAMAS - Usted puede ser quemado.
- C) NO USE AGUA, incluyendo toallas húmedas o toallas - se pudiera producir una violenta explosión de vapor.
- D) Use un extintor SOLAMENTE si:
 - 1. Usted sabe que usted tiene un extintor de la clase ABC, y sabe ya utilizarlo.
 - 2. El incendio es pequeño y está contenido en el área donde comenzó.
 - 3. Se está llamando a los bomberos.
 - 4. Usted puede luchar el fuego con la espalda dirigida hacia una salida.

* Basado en "Consejos para luchas contra los incendios en las cocinas" publicado por NFPA

ADVERTENCIA - PARA REDUCIR EL RIESGO DE DESCARGAS ELÉCTRICAS O INCENDIOS, no use este ventilador con ningún dispositivo de control de velocidad de estado.

ADVERTENCIA - PARA REDUCIR EL RIESGO DE INCENDIOS, DESCARGAS ELÉCTRICAS O LESIONES PERSONALES, OBSERVE LO SIGUIENTE:

- 1. Utilice esta unidad sólo en la forma prevista por el fabricante. Si tiene alguna pregunta, póngase en contacto con el fabricante.
- 2. Antes de dar servicio o limpiar la unidad, desconecte la alimentación del panel de servicio y bloquee los medios de desconexión del servicio para evitar que la alimentación se conecte accidentalmente. Cuando los medios de desconexión del servicio no puedan ser bloqueados, fije firmemente un dispositivo de aviso prominente, tal como una etiqueta, al panel de servicio.

PRECAUCIÓN: Para uso general de ventilación solamente. No utilizar para el escape de materiales peligrosos o explosivos y vapores.

ADVERTENCIA - PARA REDUCIR EL RIESGO DE INCENDIOS, DESCARGAS ELÉCTRICAS O LESIONES PERSONALES, OBSERVE LO SIGUIENTE:

- 1. La instalación y el cableado eléctrico deben ser hechos por personal calificado de acuerdo con todos los códigos y estándares aplicables, incluyendo la construcción según normas anti-incendio.
- 2. Se necesita suficiente aire para la combustión y el agotamiento adecuados de los gases a través de la chimenea del equipo de combustión de combustible para evitar el contraflujo. Siga las directrices del fabricante del equipo de calefacción y las normas de seguridad tales como los publicados por la National Fire Protection Association (NFPA), la American Society for Heating, Refrigeration and Air Conditioning Engineers (ASHRAE) y las autoridades de los códigos locales.

3. **Al cortar o perforar la pared o el techo, no dañe el cableado eléctrico ni otros servicios ocultos.**
4. **Los ventiladores con conductos siempre deben tener salida al exterior.**

TODAS LAS ABERTURAS DE LA PARED Y EL PISO DONDE ESTÁ INSTALADA LA CAMPANA SE DEBEN SELLAR.

Esta campana requiere por lo menos 24 "de espacio libre entre el fondo de la campana y la superficie de cocción o encimera. Esta campana ha sido aprobada por UL a esta distancia del plano de cocción.

Esta distancia mínima puede ser mayor dependiendo de los códigos de construcción locales. Para los planos de cocción de gas y las cocinas combinadas, se recomienda y puede ser necesario un mínimo de 30".

La profundidad máxima de los gabinetes de arriba es de 13". Los gabinetes de arriba a ambos lados de esta unidad deben estar a un mínimo de 18" por encima de la superficie de cocción o encimera. Consulte las instrucciones de instalación del plano de cocción o de la cocina dadas por el fabricante antes de realizar cualquier recorte. **INSTALACIÓN EN CASA MÓVIL** La instalación de esta campana debe cumplir con las Normas de Construcción y Seguridad de Viviendas Manufacturadas, Título 24 CFR, Parte 3280 (anteriormente Normal Federal para la Construcción y seguridad de las Viviendas Móviles, Título 24, HUD, parte 280). Vea Requisitos eléctricos.

REQUISITOS DE VENTILACIÓN

Determine qué método de ventilación es mejor para su aplicación. El conducto puede extenderse a través de la pared o el techo.

La longitud del conducto y el número de codos deben mantenerse al mínimo para proporcionar un rendimiento eficiente. El tamaño del conducto debe ser uniforme. No instale dos codos juntos. Use cinta adhesiva para sellar todas las juntas en el sistema de conductos. Utilice calafateo para sellar la pared exterior o la abertura del piso alrededor de la tapa.

No se recomienda el uso de conductos flexibles. El conducto flexible crea una contrapresión y una turbulencia del aire que reduce considerablemente el rendimiento.

Asegúrese de que haya suficiente espacio libre dentro de la pared o el piso para el conducto de escape antes de hacer recortes. No corte una viga o un poste a menos que sea absolutamente necesario. Si se debe cortar una viga o un poste, se debe construir una estructura de soporte.

ADVERTENCIA - Para reducir el riesgo de incendio, use solamente conductos de metal.

PRECAUCIÓN - Para reducir el riesgo de incendio y para descargar adecuadamente el aire, asegúrese de sacar el aire - No expulse los humos en espacios dentro de paredes o techos, áticos, espacios angostos o garajes.

Instalaciones en clima frío

Se debe instalar un registro de tiro adicional para minimizar el flujo de aire frío hacia atrás y se debe instalar un disyuntor térmico no metálica para minimizar la conducción de las temperaturas exteriores como parte del sistema de ventilación. El registro debe estar en el lado de aire frío del disyuntor térmico. El disyuntor debe estar lo más cerca posible de donde el sistema de ventilación entra en la parte calentada de la casa.



ADVERTENCIA

- El sistema de ventilación **DEBE** terminar fuera del hogar.
- **NO** termine el conducto en un ático u otro espacio cerrado.
- **NO(2) utilice tapas de pared tipo lavadero de 4".**
- **No se recomienda el uso de conductos flexibles.**
- **NO** obstruya el flujo de aire de combustión y ventilación.
- El incumplimiento de los requisitos de ventilación puede provocar un incendio.

REQUISITOS ELÉCTRICOS

En un circuito separado de fusible de 15 amperios se requiere un suministro eléctrico de solo 120 voltios, 60 Hz CA. Se recomienda un fusible o disyuntor de retardo. El fusible debe dimensionarse según los códigos locales de acuerdo con la clasificación eléctrica de esta unidad, tal como se especifica en la placa de serie / de características situada en el interior de la unidad cerca del compartimiento de cableado de campo.

INSTALACIÓN ELÉCTRICA CON CAJA DE CABLEADO

ESTA UNIDAD DEBE CONECTARSE SOLAMENTE CON ALAMBRE DE COBRE. Los tamaños de los cables deben cumplir con los requisitos del Código Eléctrico Nacional, ANSI / NFPA 70 - última edición, y todos los códigos y ordenanzas locales. El tamaño del cable y las conexiones deben ajustarse a las especificaciones del aparato. Se pueden obtener copias de la norma antes mencionada en:

National Fire Protection Association
Batterymarch Park
Quincy, Massachusetts 02269

Este aparato debe conectarse directamente a la desconexión de fusible (o disyuntor) a través de un cable de cobre flexible, blindado o no metálico. Deje un poco de holgura en el cable para que el aparato pueda moverse si es necesario realizar algún tipo de mantenimiento. En cada extremo del cable de alimentación (en el aparato y en la caja de empalmes) debe encontrarse un conector de conducto de 1/2" certificado UL.

Al hacer la conexión eléctrica, realice un agujero de 1 1/4 "en la pared. Un agujero cortado a través de la madera debe ser lijado hasta que esté liso. Un agujero a través del metal debe tener un ojal.



ADVERTENCIA

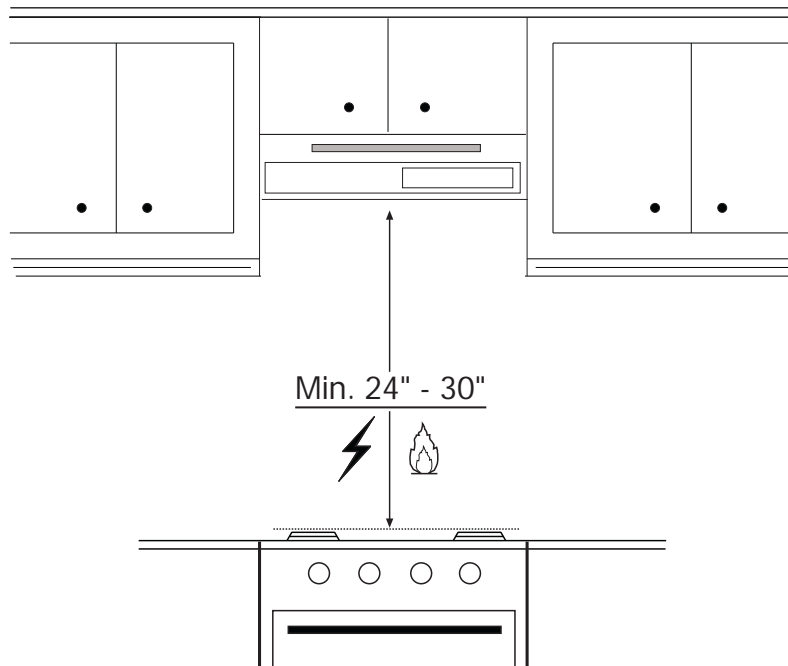
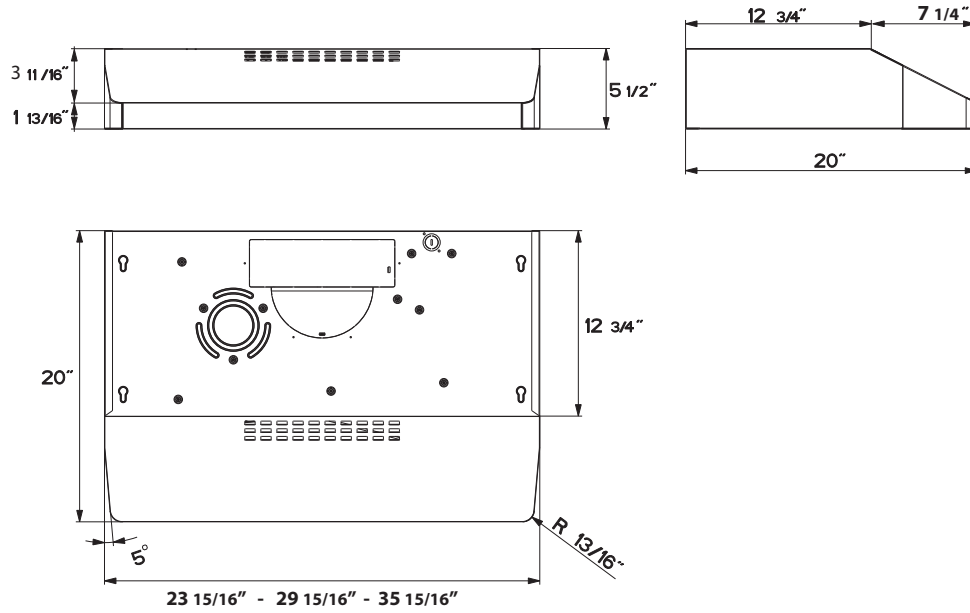
- Esta campana requiere conexión eléctrica de tierra.
- Si la tubería de agua fría está interrumpida por juntas de plástico, de materiales no metálicos u otros materiales, NO la utilice para conexión a tierra.
- NO conecte a tierra una tubería de gas.
- NO coloque un fusible en el circuito de neutro o tierra. Un fusible en el neutro o circuito de puesta a tierra podría dar lugar a una descarga eléctrica.
- Consulte con un electricista calificado si tiene dudas acerca de si la campana está correctamente conectada a tierra.
- El incumplimiento de los requisitos eléctricos puede provocar un incendio.

Advertencia de la Propuesta 65 del Estado de California (solo EE. UU.)

ATENCIÓN

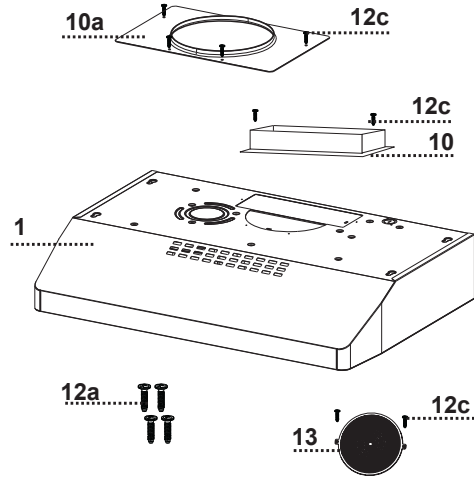
Este producto contiene productos químicos que el estado de California reconoce como causantes de cáncer y defectos de nacimiento u otros daños reproductivos. Para obtener más información, visite www.P65Warnings.ca.gov

DIMENSIONES DE LA CAMPANA



PARTES PRINCIPALES

Componentes		
Ref.	Cdad.	Componentes del producto
1	1	Cuerpo de la campana, con: Controles, luz, filtros, ventilador.
10	1	Registro 3 1/4 "x 10"
10a	1	Brida redonda 7"
13	1	Rejilla (Sólo para el mercado cana diense)
Ref.	Cdad.	Componentes para la instalación
12a	4	Tornillos 3/16" x 1 15/16" (para montaje en pared)
12c	6	Tornillos 1/8" x 3/8" (para transicio nesde brida suministradas)
Cdad.	Documentación	
1	Manual de instrucciones	



Piezas necesarias

- Registro redondo de 7" si utiliza brida redonda de 7".
- Tapones de pared de yeso u otros elementos de fijación de pared adecuados basados en su instalación.
- Conectores de alambre.

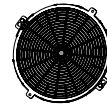
Para la instalación que se conecta a la parte inferior de los gabinetes de madera con un fondo empotrado; las tiras de madera de 1"x 2" por 12" (longitud aproximada) tendrán que ser compradas localmente. Los tornillos de montaje en pared 12C pueden funcionar como sujetadores para este tipo de instalación, de no ser así, también se necesitará adquirir cuatro tornillos de madera de cabeza plana para completar este tipo de instalación.

Accesorios disponibles

Filtro de carbón activado (**FILTER5**)

Nota: Para la instalación canadiense, el filtro de carbón de leña debe fijarse con dos tornillos (consulte en la página 8 la figura b).

Los filtros de carbón sólo deben ser comprados por los distribuidores autorizados de Faber.

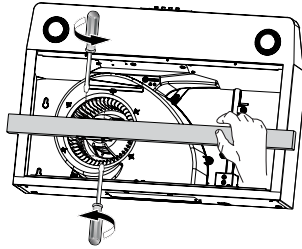
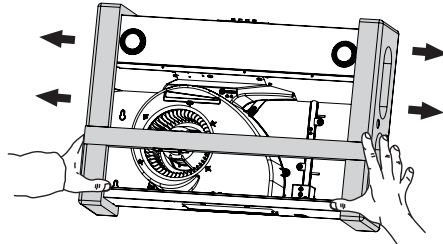


Control Remoto Inalámbrico-REMCTRL- (modelos Levante II solamente).

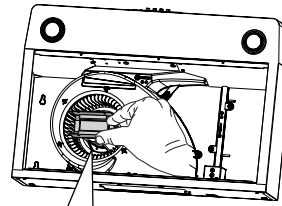


Antes de la instalación retire estos materiales de transportación

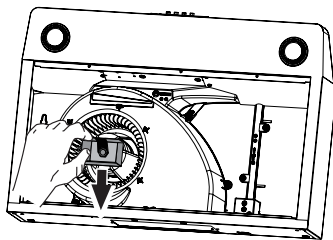
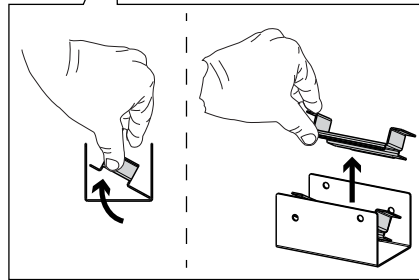
Retire el embalaje lateral.



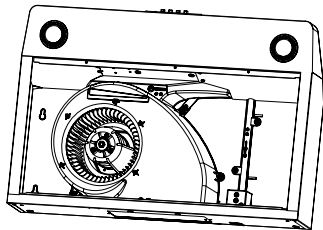
Retire el transporte de madera, para esto desenrosque los 4 tornillos.



Retire el bloque interno como se muestra en una figura a la derecha.



Retire el bloque como se muestra en una figura a la izquierda.

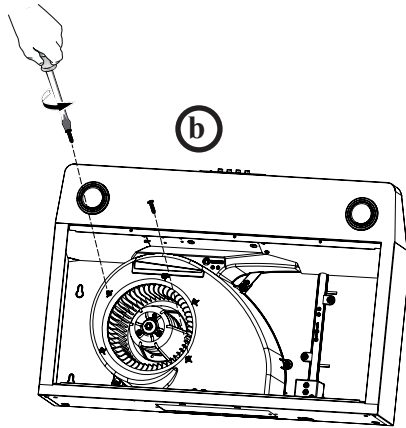
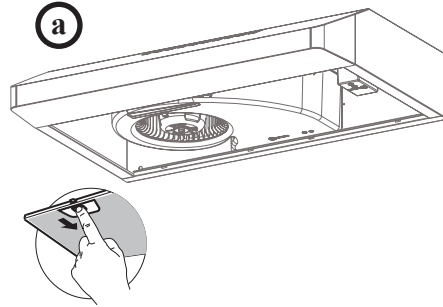


Listo para la instalación.



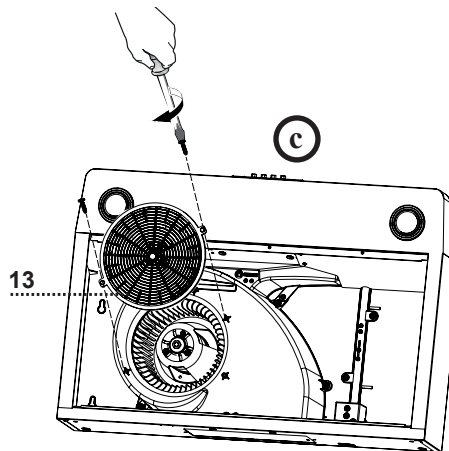
SOLO PARA EL MERCADO CANADIENSE

Retire los filtros uno a la vez empujándolos hacia la parte posterior del grupo y tirando hacia abajo al mismo tiempo.

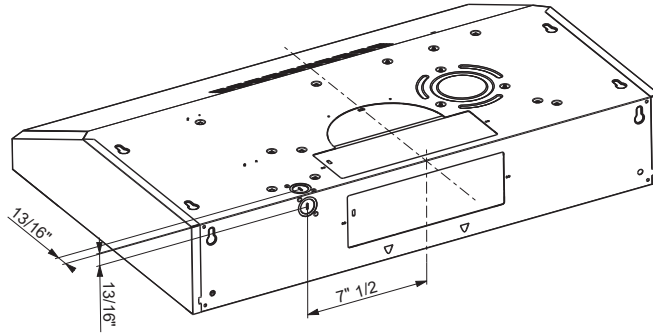


Retire los 2 tornillos ya fijados.

Instale la rejilla 13 con los 2 tornillos extraídos anteriormente como se muestra en la imagen.



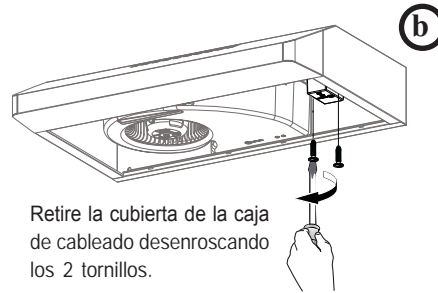
Elija una conexión eléctrica vertical u horizontal en el panel eléctrico



Primer paso antes de realizar una conexión eléctrica vertical u horizontal en el panel eléctrico



Retire los filtros uno a la vez empujándolos hacia la parte posterior del tablero y tirando hacia abajo al mismo tiempo.



Retire la cubierta de la caja de cableado desenroscando los 2 tornillos.

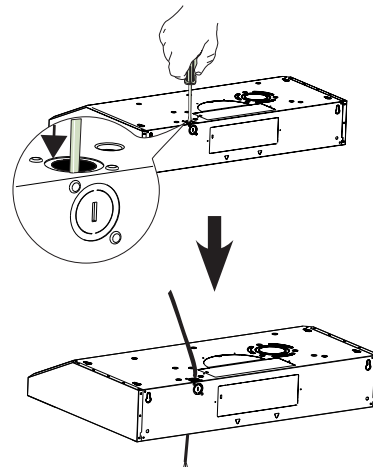
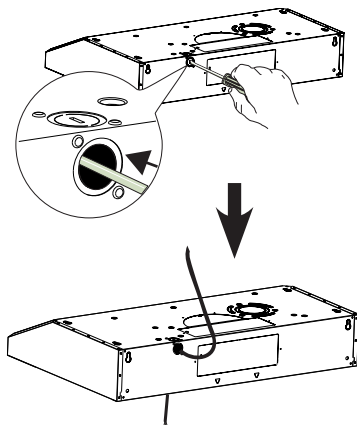
Elija el agujero trasero o agujero superior para la conexión eléctrica y rompa con un destornillador u otra herramienta.

Durante la instalación, pase el cable de alimentación a través de este orificio.

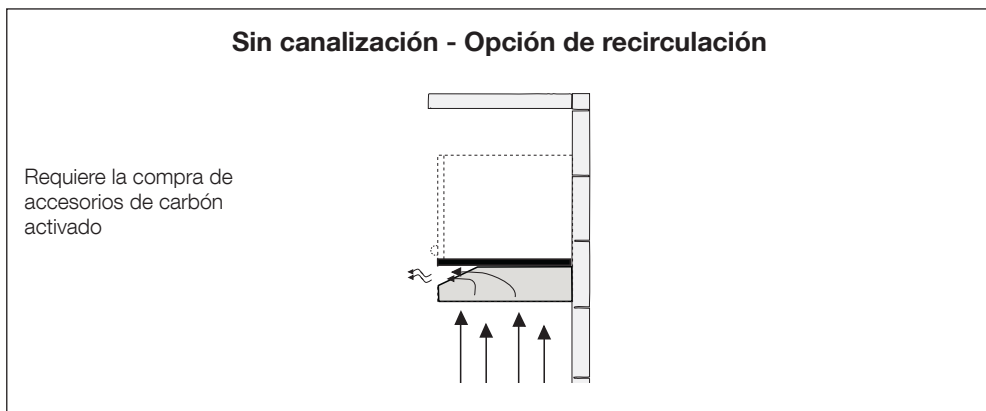
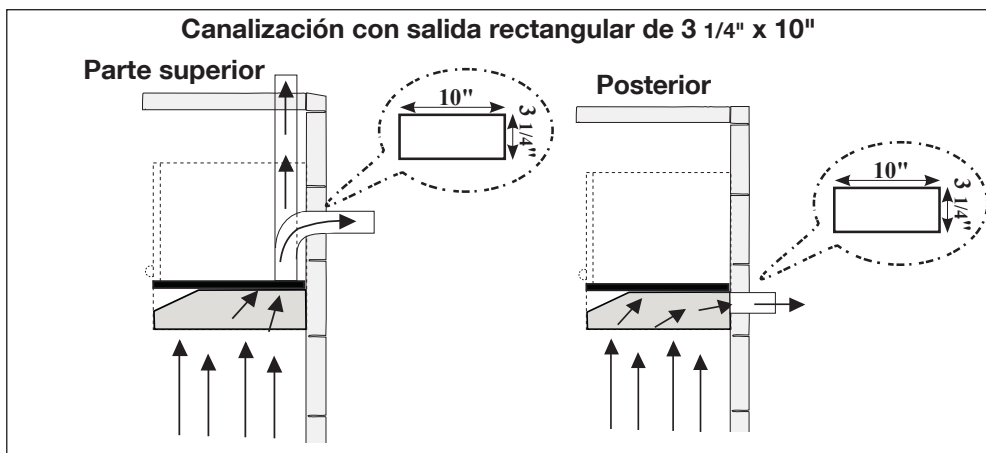
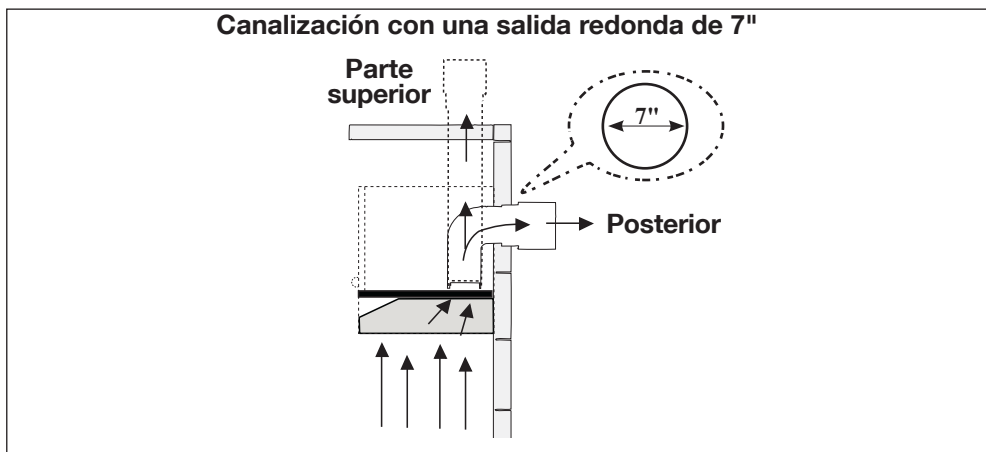
Agujero posterior (horizontal)

(c)

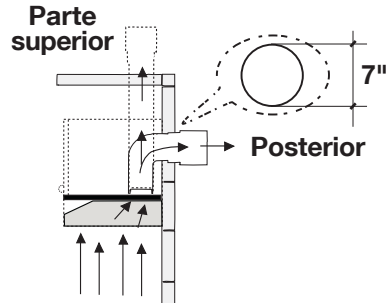
Agujero superior (vertical)



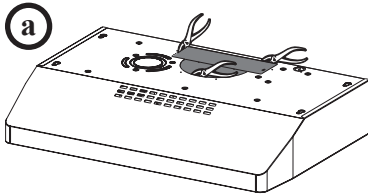
Métodos de canalización



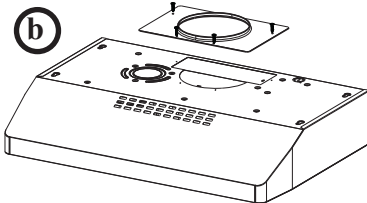
Canalización - salida redonda de 7"



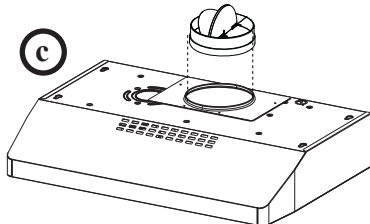
Necesario; accesorio registro redondo de 7" a comprar localmente.



Corte donde se indique.
Retire las áreas angulares y semicirculares con tijeras metálicas.



Instale la brida con los tornillos de transición de brida 12c



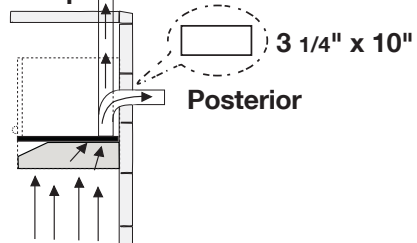
Instale el registro redondo de 7" comprado por separado.

Vaya a la página 56

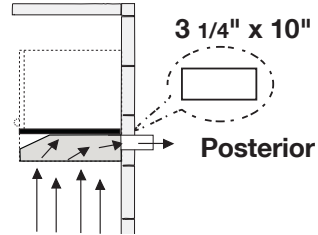


Canalización - 3 1/4" x 10"

Parte superior



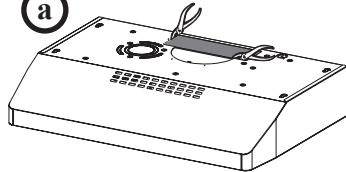
Posterior



Elija la salida de aire superior rectangular o la salida de aire posterior rectangular y corte donde se indique.

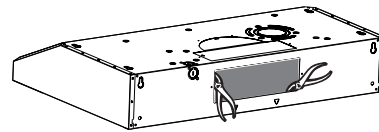
(a)

Parte superior

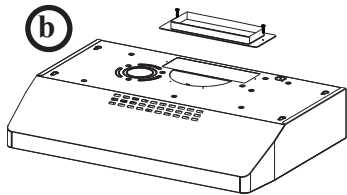


(a)

Posterior

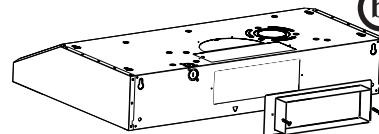


(b)

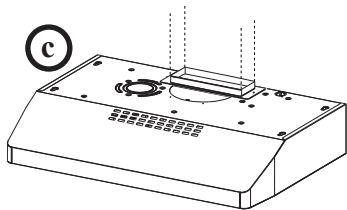


(b)

Instale la salida de aire rectangular incluida con dos tornillos de transición de brida



(c)

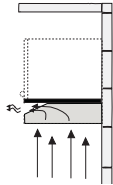


(c)

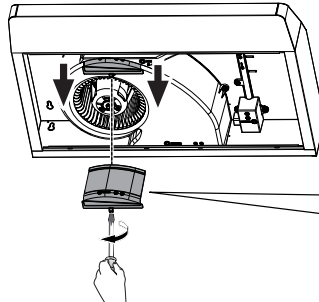
Vaya a la página 56



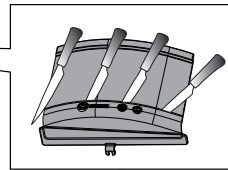
Opción de recirculación sin canalización



a

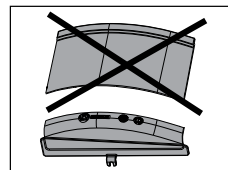


Retire la cubierta del ventilador que se indica (no deseche el tornillo).



b1

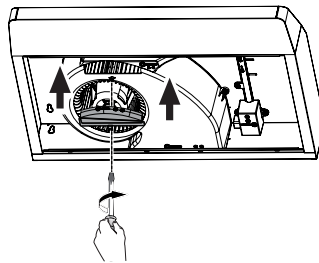
Corte la cubierta como se indica en la imagen b1.



b2

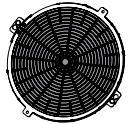
Deseche/ Recicle las piezas mayor de la cubierta del ventilador.

b3



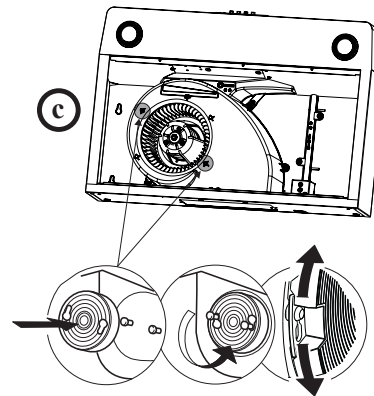
Vuelva a instalar la cubierta del ventilador modificada con el mismo tornillo.

Accesorio de filtro de carbón activado requerido **(FILTER5)** comprado por separado.

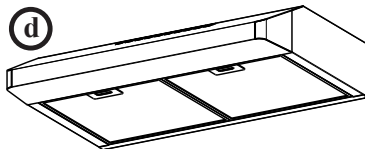


Instale el filtro de carbón activado comprado por separado. Donde se indica en la imagen.

c

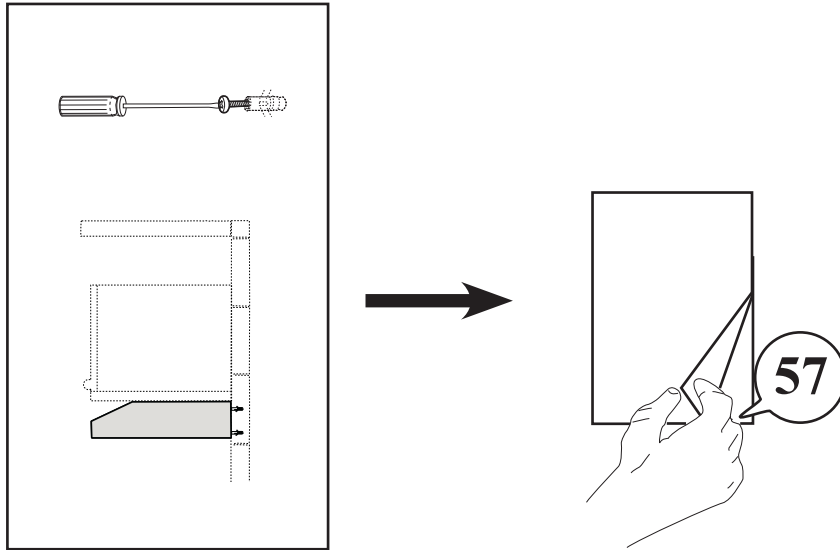


d

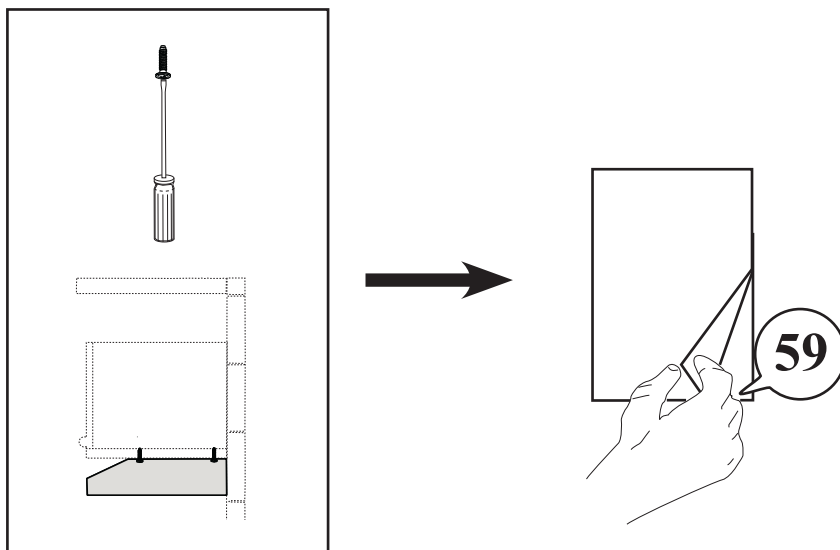


Vuelva a instalar los filtros de grasa existentes después de instalar el filtro de carbón activado antes de utilizar la campana.

Instalación para montaje en la pared

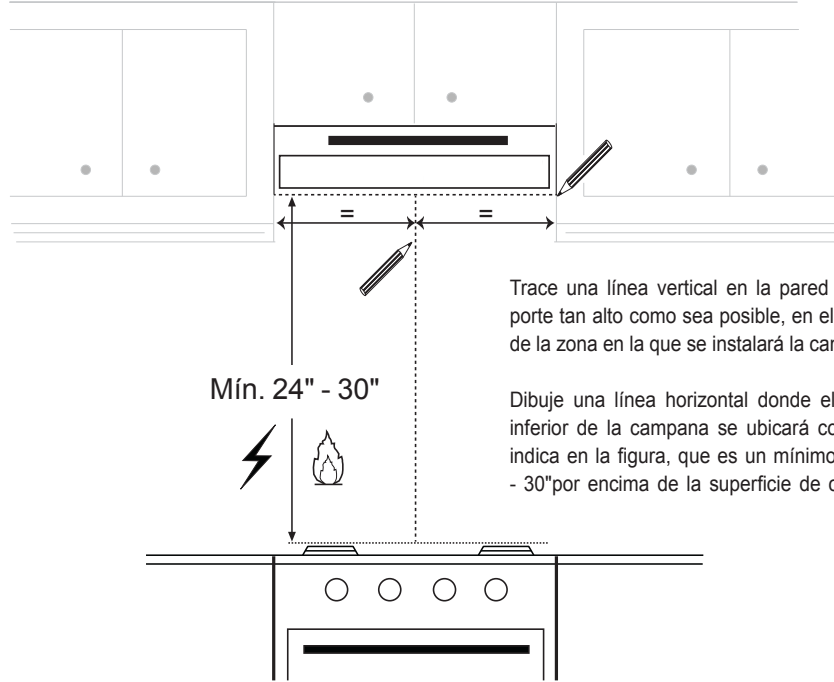


Instalación para montaje en el gabinete



A1

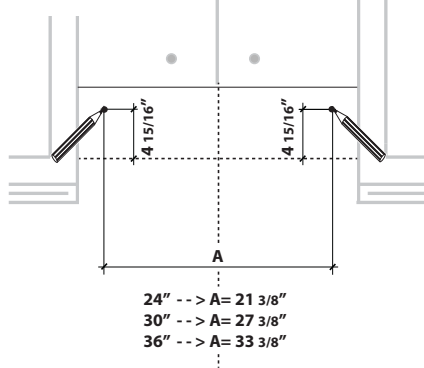
Instrucciones de instalación para el montaje en la pared



Trace una línea vertical en la pared de soporte tan alto como sea posible, en el centro de la zona en la que se instalará la campana.

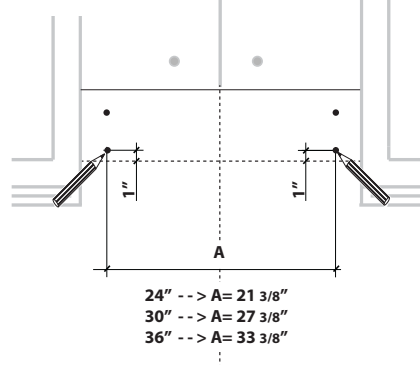
Dibuje una línea horizontal donde el borde inferior de la campana se ubicará como se indica en la figura, que es un mínimo de 24 - 30" por encima de la superficie de cocción

A2



Marque la pared donde se indica, 4 15/16 " por encima de la línea horizontal y a la distancia A, a la izquierda y a la derecha de la línea vertical.

A3



Marque la pared donde se indica, 1" por encima de la línea horizontal y a la distancia A, a la izquierda y a la derecha de la línea vertical.

A4

Perfore agujeros de $\varnothing 3/16''$ en todos los puntos centrales marcados.
 Inserte los tacos comprados en los agujeros.
 Si las ubicaciones de los sujetadores no se alinean con los pernos, inserte los tapones de pared adquiridos en los orificios.

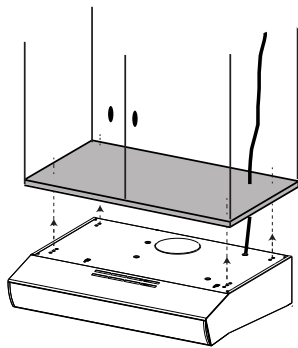
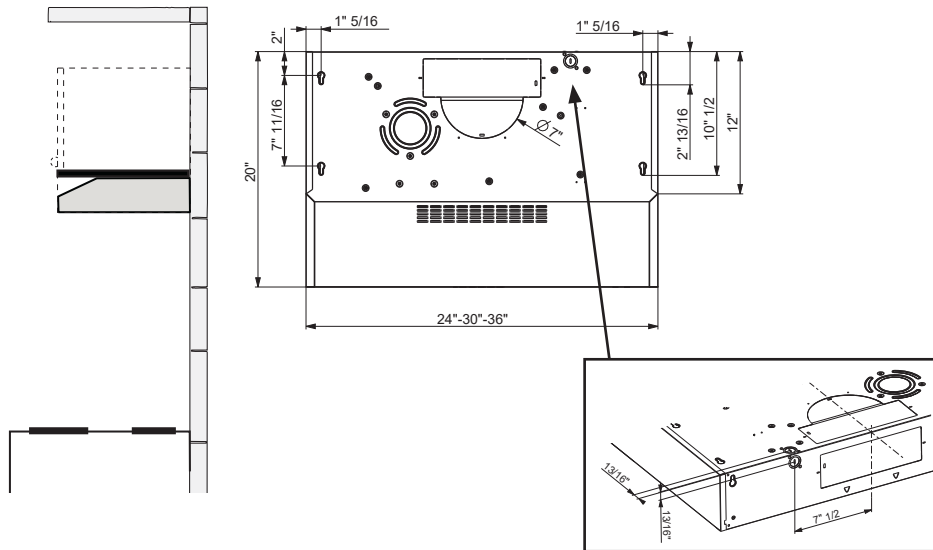
A5

En los orificios superiores, utilice dos de los tornillos suministrados para fijar el cuerpo de la campana a la pared.

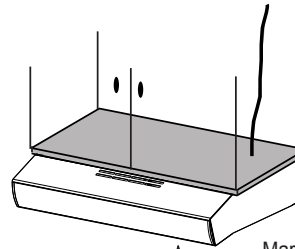
A6

Utilizando los dos tornillos restantes, ancle la campana en los orificios inferiores como se indica.

B1 Instrucciones de instalación para montar debajo del gabinete

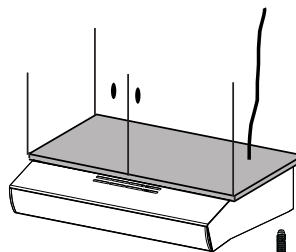


Levante la campana hasta el gabinete.



Marque los agujeros para la fijación comprobando las medidas con el diagrama.

4x 



Fije el cuerpo de la campana con 4 tornillos desde la parte inferior.

 4x

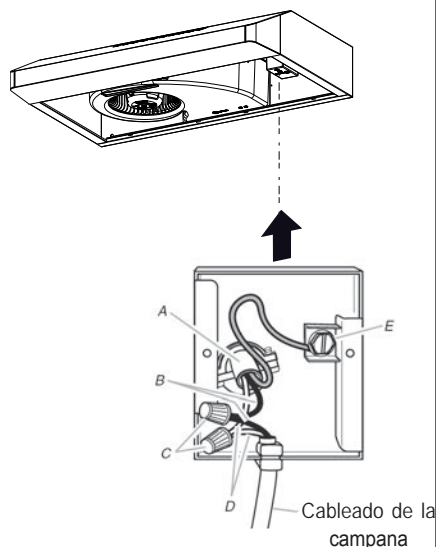


Instalación de la conexión de cableado

Retire la cubierta del compartimento de cableado del campo. Quite el panel de cableado eléctrico con un destornillador de hoja plana. Alimentar el cable de alimentación a través del panel eléctrico.

Conecte el cable de alimentación a la campana. Conecte el cable blanco de la fuente de alimentación (A) al cable blanco de la campana (D) con un conector de cable tipo torsión. Conecte el cable negro de la fuente de alimentación al cable negro de la campana (B) con un conector de cable tipo torsión (C). Conecte el cable de tierra verde (E) (verde y amarillo) debajo del tornillo de tierra verde.

Vuelva a colocar la cubierta del compartimento de cableado de campo y los filtros de grasa.

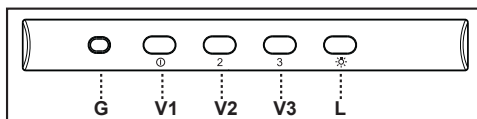


INFORMACIÓN DE USO Y CUIDADO

Para mejores resultados

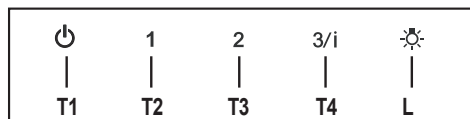
Encienda la campana varios minutos antes de cocinar para desarrollar un flujo de aire adecuado. Deje que la campana funcione varios minutos después de completar la cocción para eliminar todo el humo y los olores de la cocina.

Control (Levante I)



- G. Luz indicadora
- L. Luces - encendido y apagado.
- V1. Baja velocidad.
- V2. Media velocidad.
- V3. Máxima velocidad.

Control (Levante II)

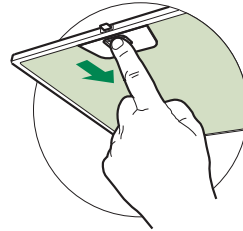


- T1. Botón de apagado del ventilador: Apaga el ventilador. El ventilador puede ser operado pulsando cualquiera de los botones de ajuste del ventilador. Mantenga pulsado este botón durante 2 segundos para activar la función de apagado retardado que mantendrá el ventilador encendido durante 15 minutos y lo apagará automáticamente.
- T2. Botones de ajuste del ventilador: Baja velocidad.
- T3. Botones de ajuste del ventilador: Media velocidad.
- T4. Botones de ajuste del ventilador: Alta velocidad. Mantenga pulsado el botón durante 2 segundos para activar la VELOCIDAD INTENSIVA, que se cronometra para funcionar durante 10 minutos. Al final de este tiempo volverá automáticamente a la velocidad establecida antes. Adecuado para hacer frente a los niveles máximos de humos de cocción.
- L. Botón Light: Interruptor On / Dim / Off para las luces halógenas. Presione el botón LIGHT para encender la luz, otra vez para ajustar las luces a regular, y de nuevo para apagar.

Limpeza de filtros de grasa metálicos

Los filtros de grasa metálicos se pueden limpiar en solución de detergente caliente o lavarse en el lavavajillas. Se deben limpiar cada 2 meses de uso, o más frecuentemente si el uso es particularmente pesado.

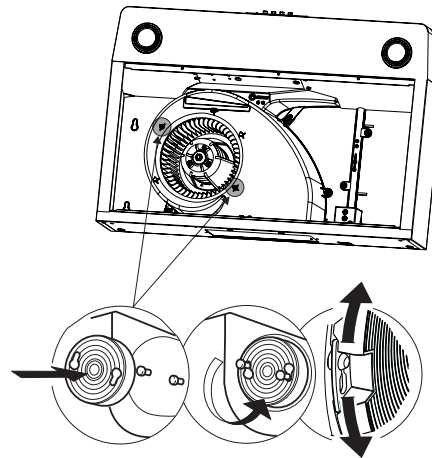
- Retire el filtro, empujando la palanca hacia la parte posterior de la unidad y al mismo tiempo tirando hacia abajo.
- Lave el filtro sin doblarlo, deje que se seque completamente antes de reemplazarlo (si la superficie del filtro cambia de color con el tiempo, esto no tendrá ningún efecto sobre su eficiencia).
- Reemplace, asegurándose de que el asa esté orientada hacia adelante.
- La limpieza en el lavavajillas puede estropear el acabado del filtro de grasa metálico.



Sustitución del filtro de carbón activado

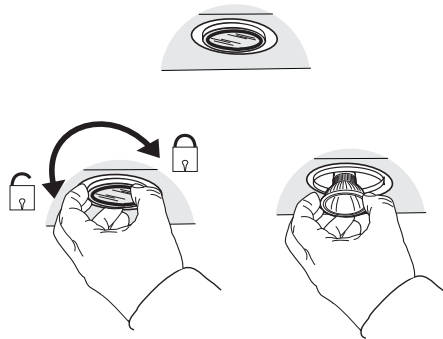
Los filtros de carbón activado no son lavables y no pueden ser regenerados, y deben ser reemplazados aproximadamente cada 4 meses de operación, o más frecuentemente con uso intensivo.

- Retire los filtros de grasa.
- Retire el filtro de carbono saturado soltando los ganchos de fijación o quitando los dos tornillos para aplicaciones canadienses.
- Coloque el nuevo filtro enganchándolo en su asiento o fijándolo con los dos tornillos para aplicaciones canadienses.
- Sustituya los filtros de grasa.



Sustitución de las bombillas Halógena de 35 W. Bombilla tipo GU10

- Retire la bombilla (consulte la imagen).
- Vuelva a colocar la bombilla con una nueva del mismo tipo, asegurándose de que inserta los dos pines correctamente en las carcasas del soporte de la lámpara y gírela para volver a encajar en su lugar.



Atención: las bombillas pueden estar calientes, espere unos minutos antes de reemplazarlas.

Advertencia ; no instale luces LED en lugar de halógenas.

Diagrama de cableado LEVT30SS400-B LEVT36SS400-B

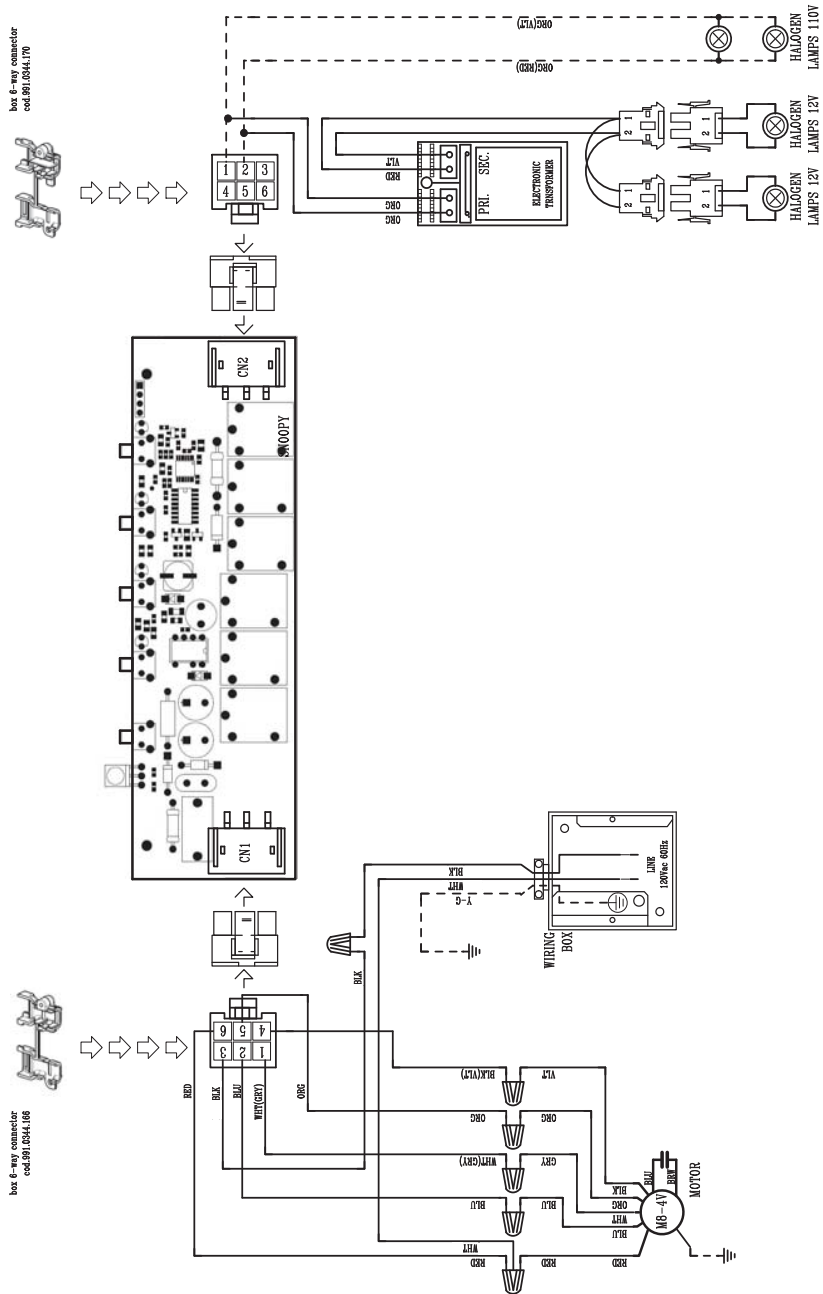
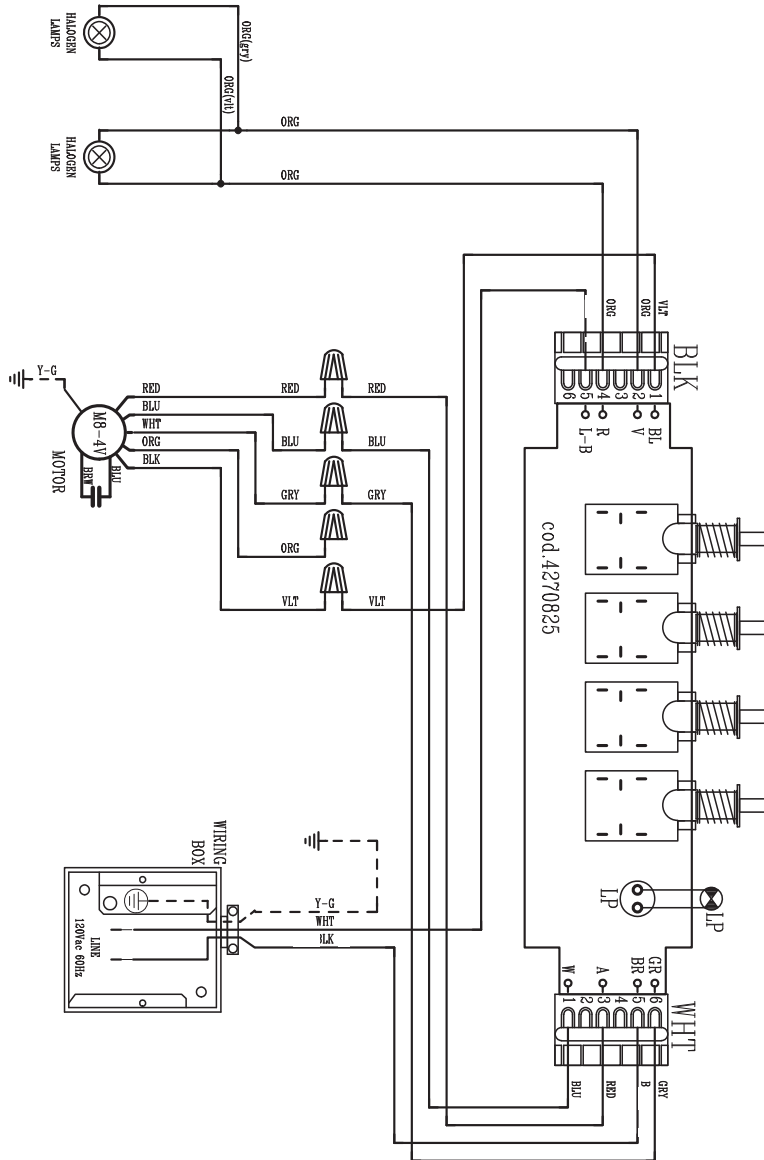


Diagrama de cableado
LEVA24SS300-B LEVA24WH300-B
LEVA30SS300-B LEVA30WH300-B LEVA30BK300-B
LEVA36SS300-B LEVA36WH300-B LEVA30BK300-B



Esta garantía Aplica para USA y Canada



GARANTÍA Y SERVICIO AL CONSUMIDOR FABER

Todos los productos Faber están garantizados contra cualquier defecto de materiales o mano de obra para el comprador original por un período de 1 año a partir de la fecha de compra original (requiere prueba de compra). Esta garantía cubre mano de obra y piezas de repuesto. Faber, a su elección, puede reparar o reemplazar el producto o componentes necesarios para restaurar el producto en buenas condiciones de trabajo. Para obtener el servicio de garantía, póngase en contacto con el distribuidor de quien adquirió la campana extractora o con el distribuidor local de Faber. Si no puede identificar a un distribuidor local de Faber, comuníquese con nosotros al (508) 358-5353 para obtener el nombre de un distribuidor en su área.

Lo siguiente no está cubierto por la garantía de Faber:

1. Llamadas de servicio para corregir la instalación de su campana extractora, para instruirle sobre cómo usar su campana extractora, para reemplazar o reparar fusibles de la casa o para corregir el cableado de la casa o la plomería.
2. Llamadas de servicio para reparar o reemplazar las bombillas, fusibles o filtros de la campana extractora. Estas partes de consumibles están excluidas de la cobertura de la garantía.
3. Reparaciones, cuando su campana extractora se utiliza para uso doméstico distinto al normal.
4. Daños resultantes de accidente, alteración, mal uso, abuso, incendio, inundación, eventos naturales, instalación incorrecta, instalación no conforme a los códigos eléctricos o de plomería o la documentación de Faber, o uso de productos no aprobados por Faber.
5. Piezas de repuesto o costos de mano de obra de reparación para unidades operadas fuera de los Estados Unidos o Canadá, incluyendo cualquier campana de cocina Faber no aprobada por UL o C-UL.
6. Reparaciones a la campana resultantes de modificaciones no autorizadas a la misma.
7. Gastos de viaje y transporte para el servicio del producto en lugares remotos, y gastos de recogida y entrega. Las campanas de cocina Faber deben ser reparadas en el hogar.

ESTA GARANTÍA NO PERMITE LA RECUPERACIÓN DE DAÑOS INCIDENTALES O CONSECUENTES, INCLUYENDO, SIN LIMITACIÓN, DAÑOS DIRECTOS, INDIRECTOS, INCIDENTALES, ESPECIALES O CONSECUENTES, LESIONES PERSONALES O MUERTE INCORRECTA O BENEFICIOS PERDIDOS. LA GARANTÍA DE FABER SE LIMITA A LAS CONDICIONES ANTERIORES Y AL PERÍODO DE GARANTÍA ESPECIFICADO AQUÍ Y ES EXCLUSIVA. EXCEPTO DADO LO EXPRESAMENTE ESPECIFICADO EN ESTE ACUERDO, FABER RENUNCIA A TODAS LAS CONDICIONES, REPRESENTACIONES Y GARANTÍAS EXPRESAS O IMPLÍCITAS INCLUYENDO, SIN LIMITACIÓN, CUALQUIER GARANTÍA IMPLÍCITA DE COMERCIABILIDAD O ADECUACIÓN PARA UN PROPÓSITO PARTICULAR.

Esta garantía le otorga derechos legales específicos que pueden variar de estado a estado.

Modelo: _____ Número de serie _____

4 de enero de 2016

Campana de Cocina

Marca: FABER

Modelo: CAMPANA LEVANTE I - LEVANTE II

Especificaciones eléctricas:

110V ~ 60Hz

Consumo de energía en modo de espera: N/A

Consumo de energía en modo de operación: 350 Wh

ANTES DE USAR EL PRODUCTO LEA EL INSTRUCTIVO Y CONSERVELO PARA FUTURAS REFERENCIAS FIJACIÓN "Y", SI EL CORDÓN DE ALIMENTACIÓN ES DAÑADO, ÉSTE DEBE SER REEMPLAZADO POR EL FABRICANTE, SU AGENTE DE SERVICIO O POR PERSONAL CALIFICADO PARA EVITAR UN RIESGO.

Este aparato no se destina para utilizarse por personas (incluyendo niños) cuyas capacidades físicas, sensoriales o mentales sean diferentes o estén reducidas o carezcan de experiencia o conocimiento a menos que dichas personas reciban una supervisión o capacitación para el funcionamiento del aparato por una persona responsable de su seguridad.

Los niños deben de supervisarse para asegurar que ellos no empleen los aparatos como juguete.

- Debe haber una ventilación adecuada en el cuarto, cuando la campana de cocina se utiliza al mismo tiempo que los aparatos que consumen gas u otros combustibles.
- Detallar acerca del método y frecuencia de limpieza.
- Existe el riesgo de fuego, si la limpieza no se realiza de acuerdo con las instrucciones.
- No flamear alimentos bajo la campana de cocina.

Comercializado por: Franke Mexico S.A. de C.V.
Circuito Mexico 215, Tres Naciones Industrial Park
San Luis Potosi, SLP, C.P. 78395 Mexico
Tel Comercializador: 01.444.144.0340



- Que el aire de descarga no debe enviarse a través de un conducto que se utilice para evacuar los humos de los aparatos que consumen gas u otros combustibles
- La distancia mínima entre la superficie de soporte para los recipientes de cocción en la parrilla y la parte inferior de la campana de cocina. Cuando la campana de cocina se encuentra sobre un aparato de gas, esta distancia no debe ser menor que 65 cm. Si las instrucciones de instalación para la parrilla de gas especifican una distancia mayor, ésta debe tomarse en consideración.
- Deben cumplirse las regulaciones que se relacionen con la evaluación de la descarga del aire.

Póliza de garantía. Información aplica a México exclusivamente

Producto: _____ Número de serie: _____

Marca: _____ Distribuidor: _____

Modelo: _____ Firma o sello del establecimiento

Fecha en la que el consumidor recibe el producto: _____

FABER / FRANKE MEXICO garantiza este producto en todas sus piezas, componentes y mano de obra por el tiempo de 1 año en su producto final -contado a partir de la fecha de recepción de conformidad del consumidor final- contra cualquier defecto de fabricación y funcionamiento durante el uso normal y doméstico de este producto. Incluye los gastos de transportación del producto que se deriven del cumplimiento de esta póliza dentro de su red de servicio.

Esta garantía ampara únicamente el modelo, marca y serie referidos en los "datos de identificación del producto", ubicado en la parte superior del presente documento.

Conceptos cubiertos por la garantía

Defectos de fabricación que impidan total o parcialmente el correcto funcionamiento del aparato que se presente dentro de los términos de vigencia de esta garantía.

Esta garantía ampara todas las piezas y componentes del producto e incluye la mano de obra, así como el reemplazo de cualquier pieza o componente defectuoso sin costo adicional para el consumidor.

Se incluyen también los gastos de transportación del producto que deriven del cumplimiento de la presente, dentro de cualquiera de nuestros centros de servicio indicados en el listado que se incluye en ésta póliza.

La garantía no podrá hacerse efectiva en los siguientes casos:

- a) Cuando el producto se hubiese utilizado en condiciones distintas a las normales.
- b) Cuando el producto no hubiese sido operado de acuerdo con el instructivo de uso que se le acompaña.
- c) Cuando el producto hubiese sido alterado o reparado por personas y/o talleres de servicio no autorizado por FABER / FRANKE MEXICO

Procedimiento para hacer efectiva la garantía

Para hacer efectiva la presente garantía, el consumidor deberá presentar esta póliza debidamente sellada por el establecimiento que vendió el producto, o la factura o recibo o comprobante con los datos de identificación de producto que se describen en ésta póliza, en cualquiera de nuestros Centros de Servicio Técnico referidos en la presente póliza o llamando a los teléfonos del directorio incluido en este documento, en donde también los consumidores podrán obtener las partes, consumibles y accesorios correspondientes.

CE