

# Inca Pro 30 Insert Hood

professional built in range hood

**FABER**

ON AIR. SINCE 1955



A high-powered insert that looks as great as it performs. The Inca Pro 30, with its powerful PRO motor and stylish baffle filter system, offers an all-in-one-box solution for custom ventilating. For extra capture area and style, the stainless steel liner is available.

Model #	Size   Color	Performance Range	Sound Levels
INPR30SSIB	30 Stainless	200 - 600 CFM	3.5 - 6.5 sones



## Feature Chart

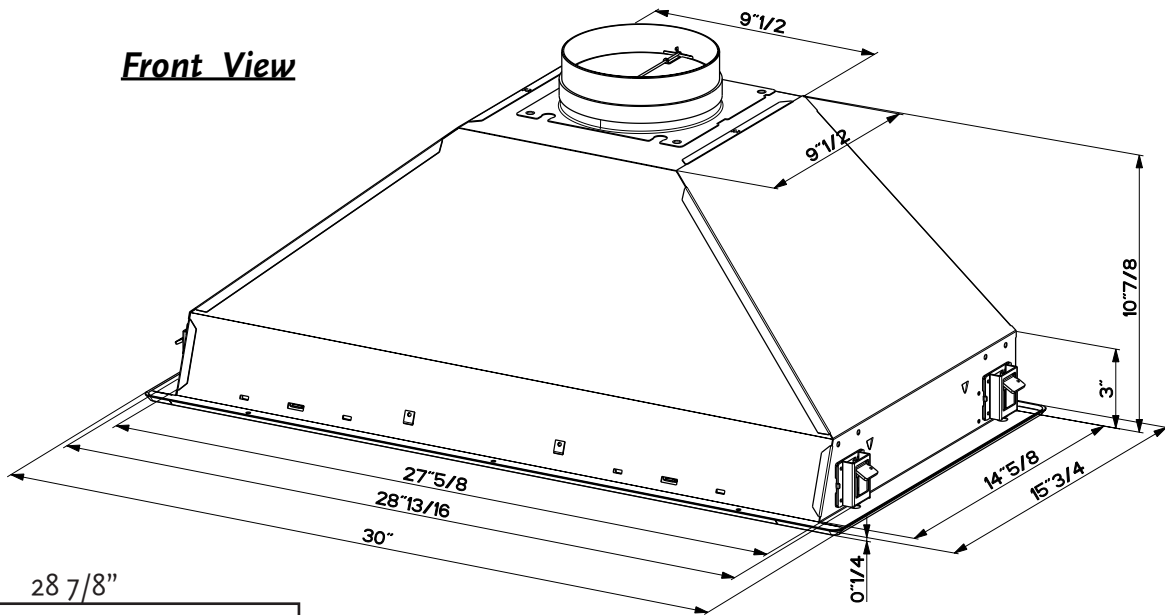
Min. / Max. Ceiling Height	N / A
Cabinet Cut Out	28 7/8" W / 14 5/8"D
Convertible to Recirculating	Yes - charcoal filter needed, need air return back into kitchen out of the cabinet
Controls	3 Speed Slider
Lighting	2 X 45 (W) Halogen
Ducting Top	6" Round
Grease Filters	dishwasher safe SS baffle filter
Built In Mounting Hardware	Yes - Easy Snap Mounting Clips
AC Input	120 V - 60 hz
AC Power	Max 540 W at 4.6 A
<b>Annual Electricity Costs</b>	<b>\$6.40 / Year *</b>

\* Note – ran 30 minutes a day on low speed, 365 days, using the North American average of 12.2 cents per kWh.

p.o. box 435 • Wayland, MA 01778 • tel: (508) 358-5353 • fax: (508) 358-5730 • e-mail: info@faberonline.com • www.faberonline.com

**Dimensional Diagrams**  
(see installation instructions for more information)

**Front View**



**Cabinet Cut Out**

28 7/8"

14 5/8"

**ACCESSORIES**

**Stainless Liners**

Create a perfectly-sealed, non-combustible 4" tall perimeter to "line" the wood below the Inca Pro 30. Depth adjustable from 21" - 25".

# LINE36PR



**Charcoal Filters**

For recirculating installations, high quality, heavy duty filters ensure the removal of smoke and odors from the kitchen. Some ductwork is required to exhaust the unit out of the cabinet.

# FILTER1



**CFM Reducer Kit**

For use in make up air environments where an under 300 cfm hood is required. This kit reduces the ducting to 5" round and reduces the cfm to under 300

# CFMRED



**WARNING!** Product specifications are subject to change without notification. Consult the installation instructions before you begin installing this rangehood.