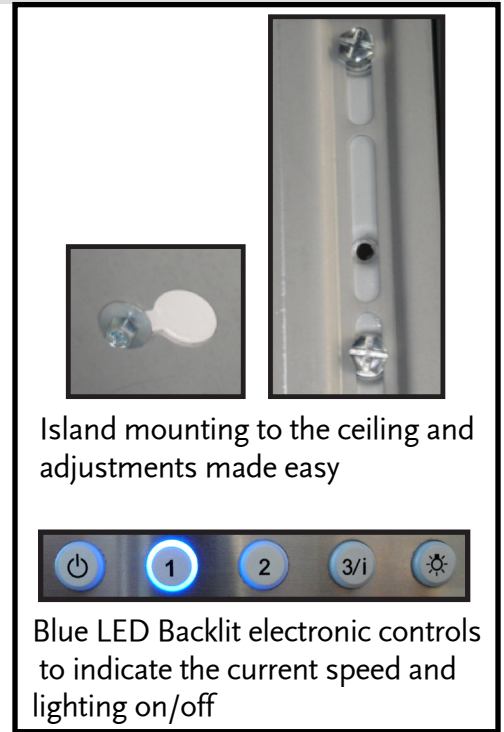


Dama Isola Island Hood

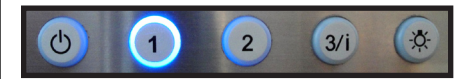
A value alternative in island range hoods

FABER

ON AIR. SINCE 1955



Island mounting to the ceiling and adjustments made easy



Blue LED Backlit electronic controls to indicate the current speed and lighting on/off

Designed to offer a high-end look without the high-end price tag, the Dama Isola offers an island range hood for the price-conscious consumer. Traditional styling, designer features, and solid performance make the Dama Isola a great value in island ventilation.

Model #	Size Color	Performance Range	Sound Levels
DAMIS36SS	36 x 27 SS (600 cfm)	160 - 600 CFM	3.5 - 6.5 sones
DAMIS36SS300	36 x 27 SS (300 cfm)	80 - 300 CFM	2.0 - 4.0 sones



Feature Chart

Min. / Max. Ceiling Height	8' 3/4" - 9' 1 3/4"
Canopy Depth / Height	27 1/2" D / 4 11/16"H
High Ceiling Kit	Yes - up to 10' 10 3/4"
Convertible to Ductless / Recirculating	Yes - ductless kit needed
Controls	3 Speed Push w/ Blue LED
Lighting	4 X 20 (W) Halogen
Ducting Top	6" Round
Grease Filters	dishwasher safe mesh
Quick Island Mounting	Yes
10 Minute Intensive Speed	Yes
AC Input	120 V - 60 hz
AC Power 600 / 300 cfm	Max 410 at 3.5 A / 230 W at 2.0 A
Annual Electricity Costs (600 / 300 cfm)	\$7.05 / \$4.18 / Year *

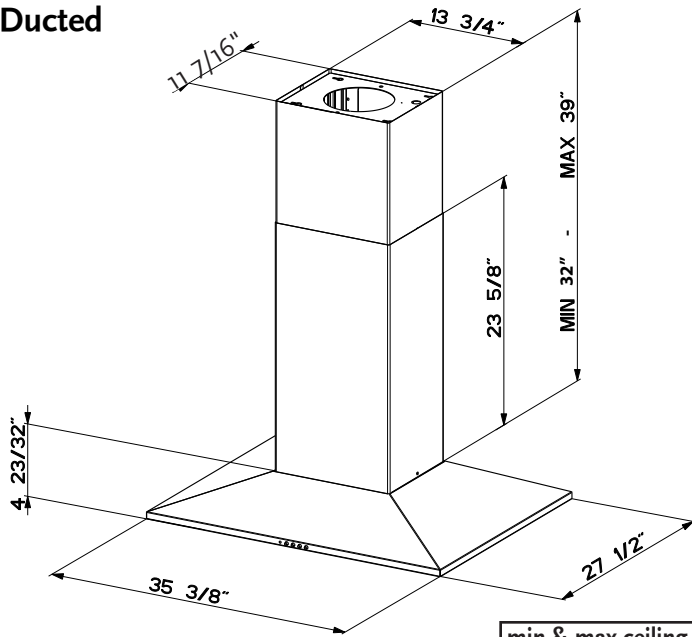
* Note – ran 30 minutes a day on low speed, 365 days, using the North American average of 12.2 cents per kWh.

p.o. box 435 • Wayland, MA 01778 • tel: (508) 358-5353 • fax: (508) 358-5730 • e-mail: info@faberonline.com • www.faberonline.com

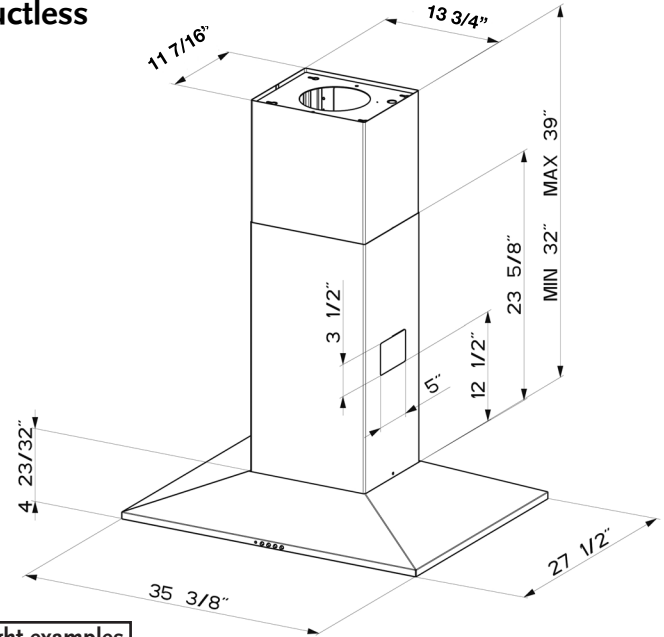
Dimensional Diagrams

(see installation instructions for more information)

Ducted



Ductless



min & max ceiling height examples
x = range hood height above cook top

x = 24"	x = 30"
min	min
8' 3/4"	8' 6 3/4"
max	max
8' 7 3/4"	9' 1 3/4"

ACCESSORIES

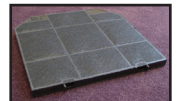
High Ceiling Chimney Kit # HIGH2

Extends the island chimney for high ceilings



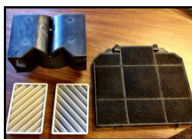
Replacement Charcoal Filter # FILTER2

For ductless installations, high quality, heavy duty filters ensure the removal of smoke and odors from the kitchen.



Ductless Conversion Kit # DUCT2

Includes: • Lower Chimney with holes for ducting • Ductless Diverter Assembly • Vent Grates • Charcoal Filter



WARNING! Product specifications are subject to change without notification. Consult the installation instructions before you begin installing this rangehood.