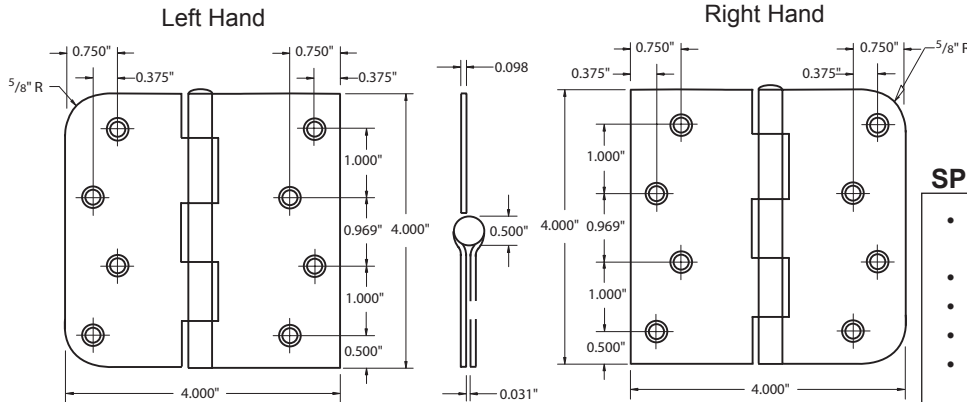


**4" x 4" 5/8R x SQ
HINGES FOR CASTLEGATE**



SPECIFICATIONS

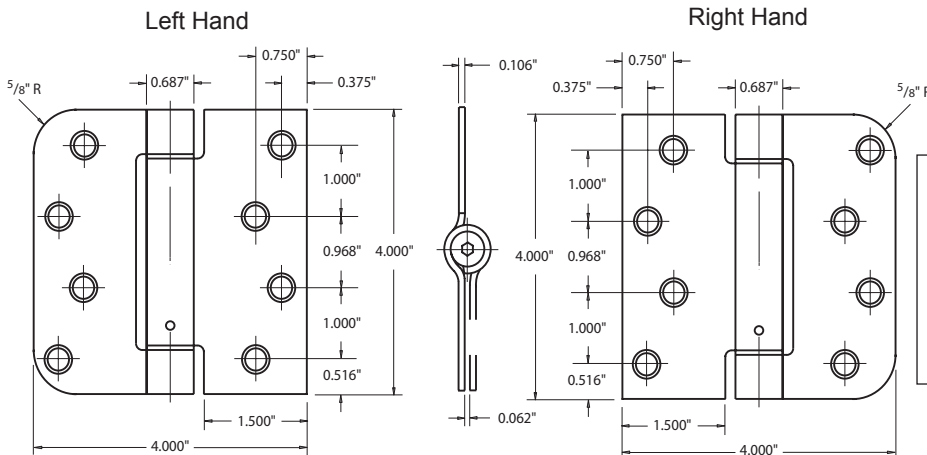
- #10 X 1/2" machine screw (10-24NC) standard.
- #10 x 3/4" wood screw standard.
- Gauge 0.106" Steel
- Bulk packaged 50 Pr / CTN, 50 lbs
- Specify LH or RH



PRICING

Description	Radius	US15	US26D	US10B
		Item No.	RH4054	RH4056
4" x 4" Hinge for Castlegate	5/8" x SQ	List Price		

**4" X 4" 5/8R x SQ
SPRING HINGE FOR CASTLEGATE**



SPECIFICATIONS

- #10 X 1/2" machine screw (10-24NC) standard.
- #10 x 3/4" wood screw standard.
- Box Pack: 1Pair (2 pcs) per box. 20 Pair / CTN, 28 Lbs
- Gauge: 0.106" Steel
- Specify LH or RH



PRICING

Description	Radius	US26D
		Item No.
4" x 4" Spring Hinge for Castlegate	5/8" x SQ	List Price

