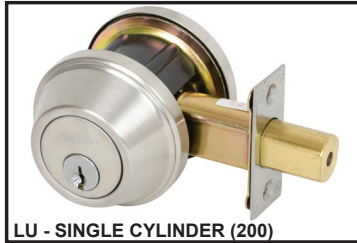
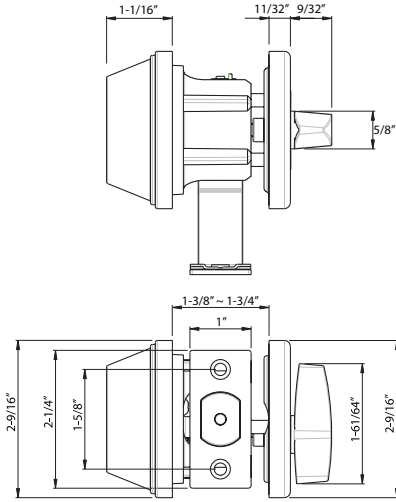


**LU SERIES - GRADE 2
COMMERCIAL DEADBOLT**

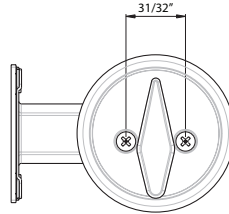
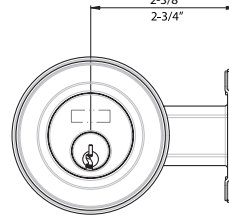


DIMENSIONS

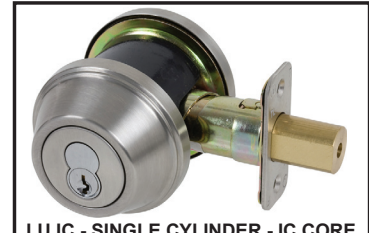
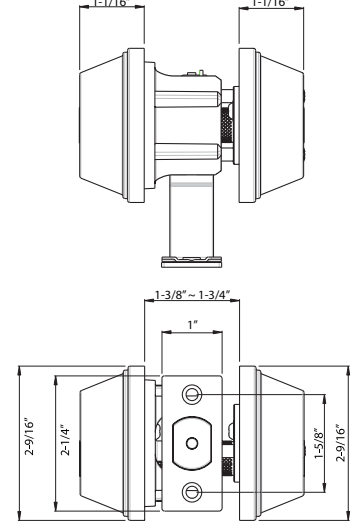
LU - SINGLE CYLINDER (200)



LU - SINGLE CYLINDER (200)



LU - DOUBLE CYLINDER (210)



LU IC - SINGLE CYLINDER - IC CORE

STANDARD SPECIFICATIONS



Door Prep	Cross bore: 2-1/8" Edge bore: 1" Latch face: 1" x 2-1/4"	Latches	Deadbolt: 2-3/8" & 2-3/4" adjustable (9091 UL) Faceplate: 1" x 2-1/4" square corner Bolt: Full 1" throw. 3-Hr. Fire Rating
Backset	Fits 2-3/8" and 2-3/4"	Strikes	1-1/8" x 2-1/4" (9111). Includes reinforcement plate
Door Thickness	1-3/8" ~ 1-3/4" door standard	Door Handling	Not Required
Cylinder	SC4 6-pin standard. KW1 5-pin optional Deadbolts packed KA2	Screws	Combination screws that suit both wood or metal door mounting Includes 3" Security Screws
Interchangeable Core	Optional small-format 6-pin or 7-pin available	Product Features	<ul style="list-style-type: none"> • Protection Sleeve • Free Spinning Cylinder Collar • Hardened Steel Rod Latch Insert

PRICING

Model	Function	WT/LB	CTN QTY		US32D	US3	US26D	US10B
200-LU	Single Cylinder	21 Lbs	20 Pcs	Item No.	300601	300603	300602	300610
				List Price				
210 LU	Double Cylinder	34 Lbs	20 Pcs	Item No.	320601	320603	320602	320610
				List Price				
200 RC Removable Core	Single Cylinder Removable Core (Core not Included)	41 Lbs	20 Pcs	Item No.	300600A	—	—	—
				List Price				
Core Only	6-Pin SFIC Core Only	5 Lbs	10 Pcs	Item No.	300600C	—	—	—
				List Price				
Core Only	7-Pin SFIC Core Only	5 Lbs	10 Pcs	Item No.	300600D	—	—	—
				List Price				

FUNCTIONS

See Function Guide on Page F-14.



THE DELANEY CO.

Copyright © THE DELANEY CO. All rights reserved.