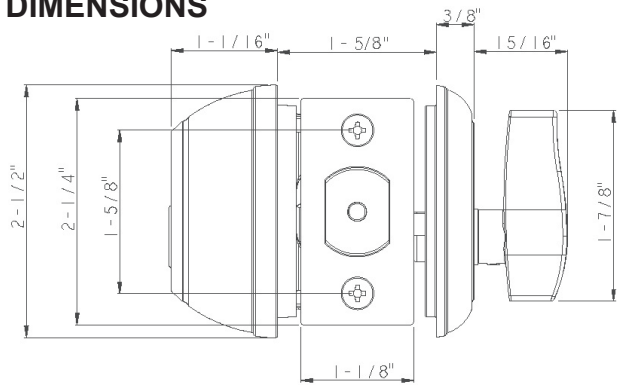


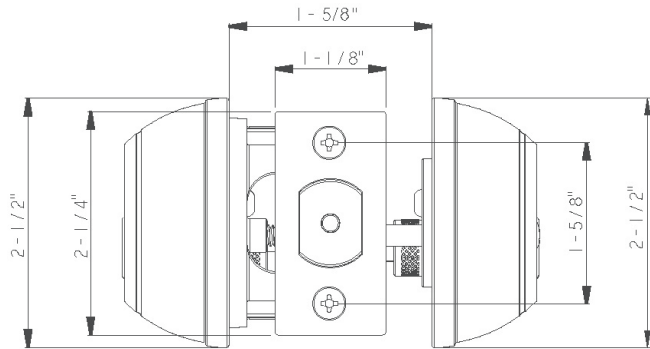
**LM SERIES - GRADE 1
COMMERCIAL DEADBOLT**



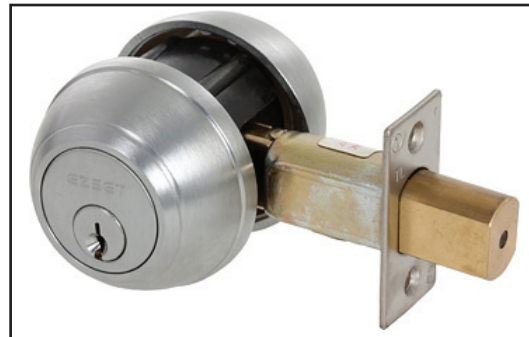
DIMENSIONS



LM - SINGLE CYLINDER (200)



LM - DOUBLE CYLINDER (210)



STANDARD SPECIFICATIONS



Door Prep	Cross bore: 2-1/8" Edge bore: 1" Latch face: 2-3/4: 1-1/8" x 2-1/4". 2-3/8": 1" x 2-1/4"	Latches	Deadbolt: 2-3/4" (9058) standard, 2-3/8" (9057) optional Faceplate: 2-3/4: 1-1/8" x 2-1/4". 2-3/8" 1" x 2-1/4" Sq. Corner Bolt: Full 1" throw. 3 Hr. Fire Rating
Backset	2-3/4" UL Latch standard, 2-3/8" optional	Strikes	1-1/8" x 2-1/4" (9121). Includes reinforcement plate
Door Thickness	1-9/16" ~ 2" door standard	Screws	Combination screws that suit both wood or metal door mounting Includes 3" Security Screws
Cylinder	SC4 6-pin standard Deadbolts packed KA2	Door Handing	Not Required
Interchangeable Core	Optional small-format 6-pin or 7-pin available	Product Features	<ul style="list-style-type: none"> Protection Sleeve Free Spinning Cylinder Collar Hardened Steel Rod Latch Insert

PRICING

Model	Function	WT/LB	CTN QTY		US26D	US10B
200-LM	Single Cylinder	21 Lbs	20 Pcs	Item No.	301601	301600
				List Price		
210 LM	Double Cylinder	34 Lbs	20 Pcs	Item No.	321601	321600
				List Price		
200 LM-IC Removable Core	Single Cylinder Removable Core (Core not Included)	41 Lbs	20 Pcs	Item No.	301702	301700
				List Price		
Core Only	6-Pin SFIC Core Only	5 Lbs	10 Pcs	Item No.	300600C	—
				List Price		
Core Only	7-Pin SFIC Core Only	5 Lbs	10 Pcs	Item No.	300600D	—
				List Price		

FUNCTIONS

See Function Guide on Page F-14.



THE DELANEY CO.

Copyright © THE DELANEY CO. All rights reserved.