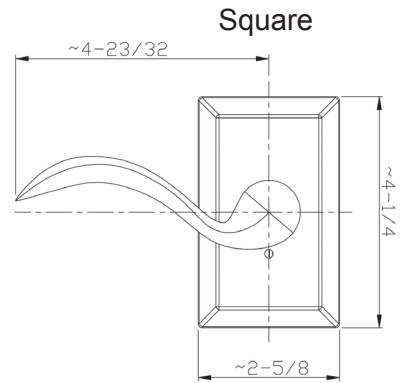
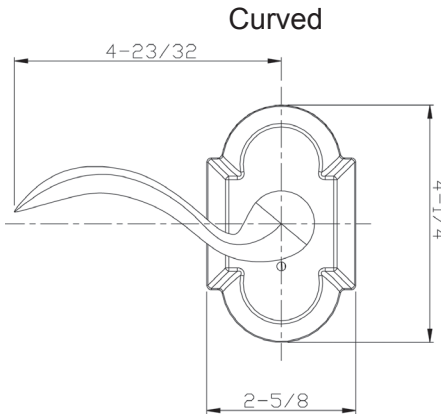
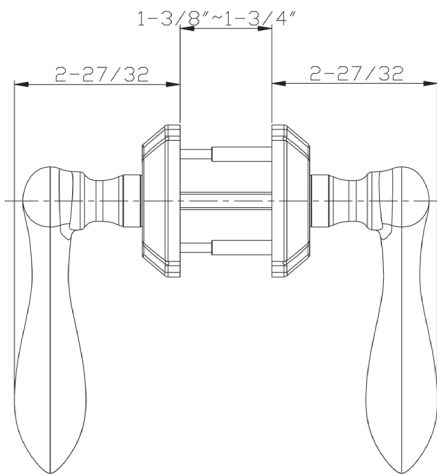


TIARA SANDCAST COLLECTION

DELANEY
Designer Series™

DIMENSIONS



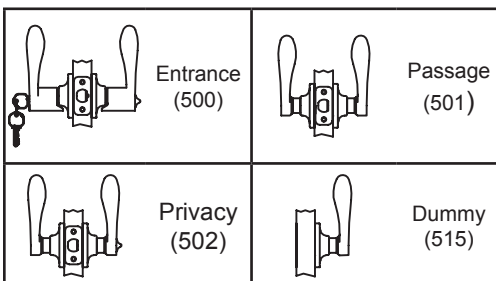
STANDARD SPECIFICATIONS

Door Prep	Cross bore: 2-1/8" Edge bore: 1" Latch face: 1" x 2-1/4"	Latches	Entrance: 2-3/8" & 2-3/4" adjustable (9050R) Passage/Privacy: 2-3/8" & 2-3/4" adjustable (9079R) Faceplate: 1" x 2-1/4" round corner Bolt: 1/2" Solid Brass throw
Backset	Fits 2-3/8" and 2-3/4"	Strikes	1-3/4" x 2-1/4" full lip round corner (9103)
Door Thickness	1-3/8" ~ 1-3/4" door standard.	Wood Screws	Combination screws that suit both wood or metal door mounting
Cylinder	SC4 6-pin standard. KW1 5-Pin Optional. Entries packed KA4	Door Handing	Specify LH or RH

PRICING

Model	Function	WT/LB	CTN QTY	AP Aged Pewter		ABR Aged Bronze		ABK Aged Black		
				CURVED	SQUARE	CURVED	SQUARE	CURVED	SQUARE	
500T-TO	Entrance	20 Lbs	4 Pcs	Item No.	691608C	691608S	691600C	691600S	691609C	691609S
				List Price						
501T-TO	Passage	28 Lbs	6 Pcs	Item No.	694608C	694608S	694600C	694600S	694609C	694609S
				List Price						
502T-TO	Privacy	28 Lbs	6 Pcs	Item No.	692608C	692608S	692600C	692600S	692609C	692609S
				List Price						
515-TO	Dummy	24 Lbs	12 Pcs	Item No.	695608C	695608S	695600C	695600S	695609C	695609S
				List Price						

FUNCTIONS



HANDING GUIDE

Standing OUTSIDE the private area, regardless of whether the door swings toward you or away from you, if the Hinges are on the left, order a Left Hand (LH) lock. Likewise, if the Hinges are on the right, order a Right Hand (RH) lock.