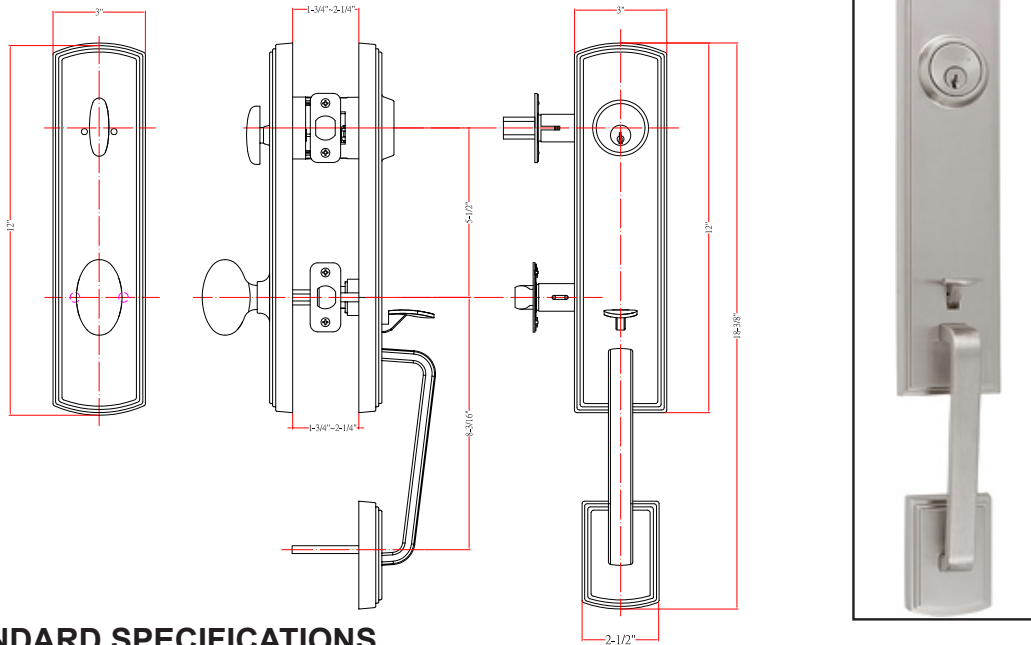


BRIONA™
ITALIAN COLLECTION



DELANEY
Designer Series™

DIMENSIONS



STANDARD SPECIFICATIONS

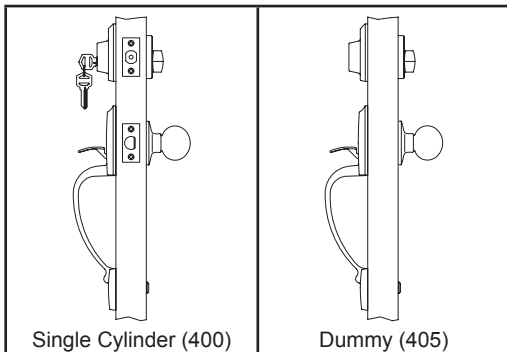
Door Prep	Deadbolt cross bore: 2-1/8" Handleset cross bore: 2-1/8" Edge bore: 1" Latch face: 1" x 2-1/4" Mounting (center to center): 5-1/2"	Latches	Deadbolt: • 2-3/8" & 2-3/4" adjustable (C9098 R/S) • Faceplate: 1" x 2-1/4" round corner • Bolt: 1" throw with hardened steel rod Handle: • 2-3/8" and 2-3/4" adjustable (C9064 R/S) • Faceplate: 1" x 2-1/4" round corner
Backset	Fits 2-3/8" and 2-3/4"		
Door Thickness	1-3/8" ~ 2-1/4" door standard (Santo Knob: Up to 1-3/4")	Handing	Must specify handing for lever or knob interior
Cylinder	SC1 5-pin standard; KW1 5-pin optional. Handlesets packed KD	Wood Screws	Combination screws suit both wood or metal door mounting Includes 3" Security Screws
Strikes	Deadbolt: 2-1/4" Rd. & Sq. corner (9118 R & S) Thumbpiece: 2-1/4" full lip Rd. & Sq. corner (9103 & 9102). Includes Reinforcement Strikes.	Features	• Protective collar • Interlocking installation guides • Reinforced spring assembly • High Security Strike Plate

PRICING *Handleset Pricing includes Interior Knob or Lever. Specify when ordering.

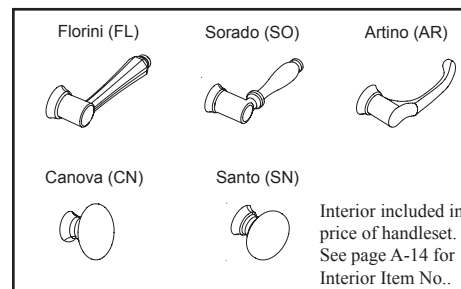
Model	Function	WT/ CTN	CTN QTY	Italian Collection			Other Briona Finishes	
				US15 Satin Nickel	US10BE Edged Bronze	BL Black	AS Antique Silver	
400-BN	Single Cylinder	36 Lbs	4 Pcs	Item No.	374101	374107	374104	374102
				List Price				
405-BN	Dummy	32 Lbs	4 Pcs	Item No.	374151	374157	374154	374152
				List Price				

*Split Finish Available - Handlesets Only

FUNCTIONS



INTERIOR OPTIONS



THE DELANEY CO.

Copyright © THE DELANEY CO. All rights reserved.

Effective 8/1/2011