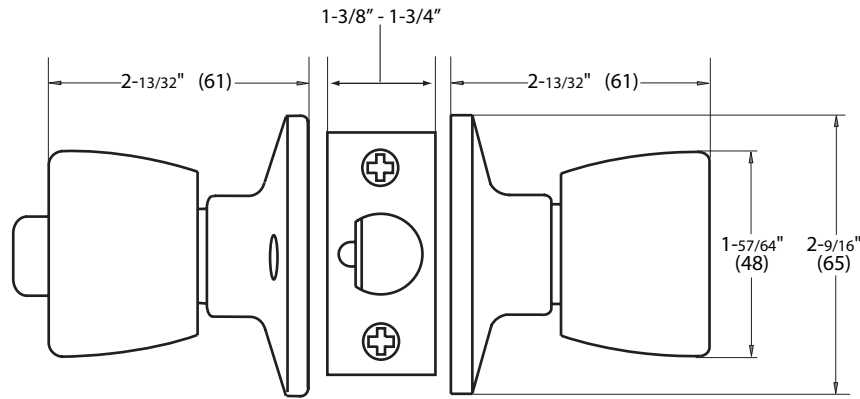


# GUARDIAN KNOB LOCKSET



## DIMENSIONS



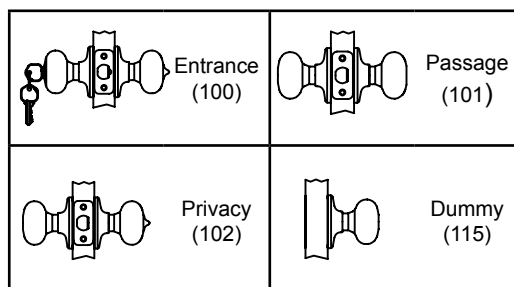
## STANDARD SPECIFICATIONS

<b>Door Prep</b>	Cross bore: 2-1/8" Edge bore: 1" Latch face: 1" x 2-1/4"	<b>Latches</b>	Entrance: 2-3/8" & 2-3/4" adjustable (9073) Passage/Privacy: 2-3/8" & 2-3/4" adjustable (9074) Faceplate: 1" x 2-1/4" round corner Bolt: 1/2" throw
<b>Backset</b>	Fits 2-3/8" and 2-3/4"	<b>Strikes</b>	1-3/4" x 2-1/4" full lip round corner (9103)
<b>Door Thickness</b>	1-3/8" ~ 1-3/4" door standard	<b>Wood Screws</b>	Combination screws that suit both wood or metal door mounting
<b>Cylinder</b>	KW1 5-pin standard (Solid Brass) SC1 5-Pin optional. Entries packed KA5	<b>Door Handing</b>	Not Required

## PRICING

Model	Function	WT/LB	CTN QTY		US3	US32D
100T - GN	Entrance	27 Lbs	20 Pcs	Item No.	211523	211522
				List Price		
101T - GN	Passage	22 Lbs	20 Pcs	Item No.	214523	214522
				List Price		
102T - GN	Privacy	22 Lbs	20 Pcs	Item No.	212523	212522
				List Price		
115 - GN	Dummy	9 Lbs	20 Pcs	Item No.	215523	215522
				List Price		

## FUNCTIONS



THE DELANEY CO.

Copyright © THE DELANEY CO. All rights reserved.