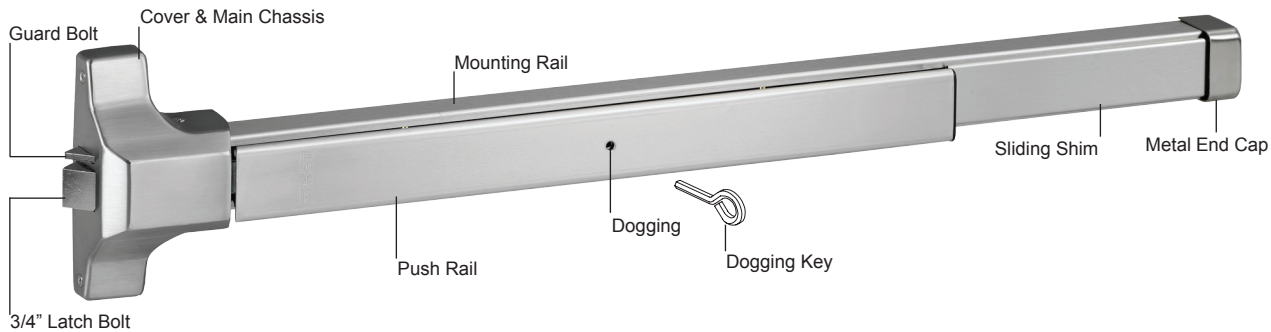
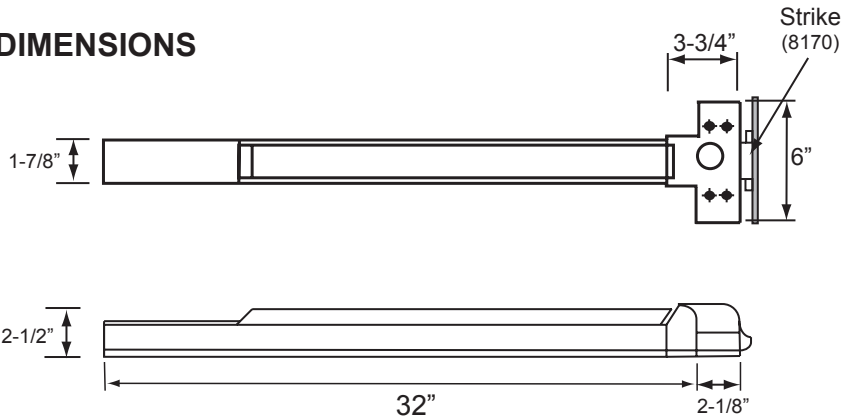


**8000 SERIES
GRADE 1 PANIC HARDWARE
RIM TYPE EXIT DEVICE**



DIMENSIONS



**10 YEAR
WARRANTY**

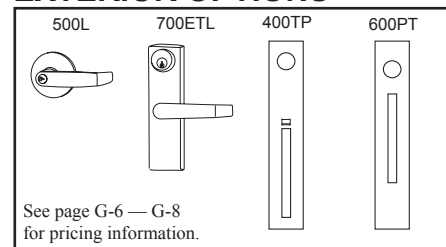
STANDARD SPECIFICATIONS

Applications	Offices, Schools, Hospitals, Apartments, Hotel/Motels & other Public Buildings	Mounting	Furnished standard with wood & machine screws. Sex nuts and bolts (1346) optional.
Door Thickness	1-3/4" ~ 2" standard, 2-1/4" optional	Latchbolt	Zinc with 3/4" throw.
Door Size	33" to 36". Bar can be easily field cut to size.	Latchbolt Spring	Stainless Steel throughout.
Stile Width	4-1/2" minimum stile width required.	Guard Bolt	Stainless Steel
Chasis, End Cap & Rail Assembly	Painted Steel (Alum & Duro) or Stainless Steel (US32D)	Strike	#8170 Steel Roller Strike 2-3/4" Backset. Optional Strike #8070 for 2-3/8" Backset.
UL & ULC Listed	Complies with UL 305 standards. Listed for safety as Panic Hardware.	Cover	Zinc Alloy
Rating	ANSI 156.3 Grade 1	Handing	Non Handed
Door Prep	Will cover stock hollow metal doors with 161 cutout	Dogging	Hex Key Dogging feature standard

PRICING

Model	Description	WT/ CTN	QTY/ CTN	ALUMINUM	DURO	US32D	
8000-36	Rim Type Device for 36" Door	52 Lbs	6	Item No.	681300	681302	681301
				List Price			

EXTERIOR OPTIONS



THE DELANEY CO.

Copyright © THE DELANEY CO. All rights reserved.