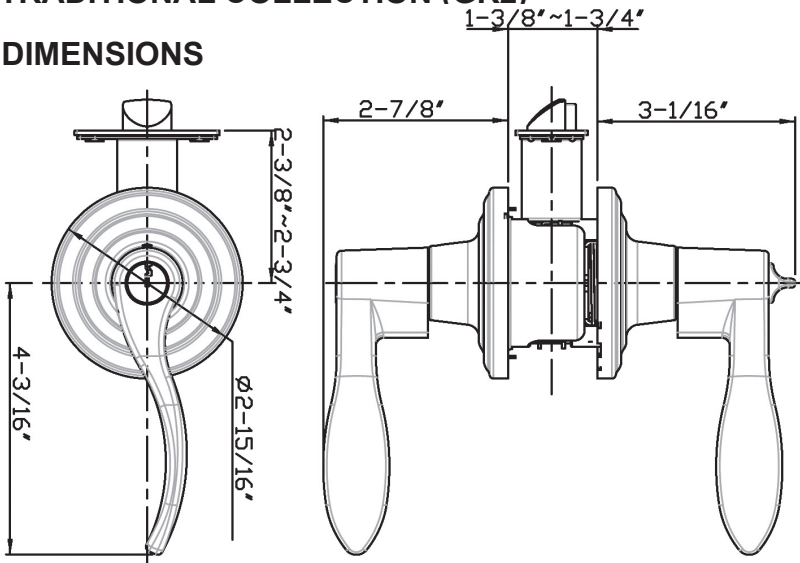


REGENCY

TRADITIONAL COLLECTION (GR2)

DELANEY
Designer Series™

DIMENSIONS



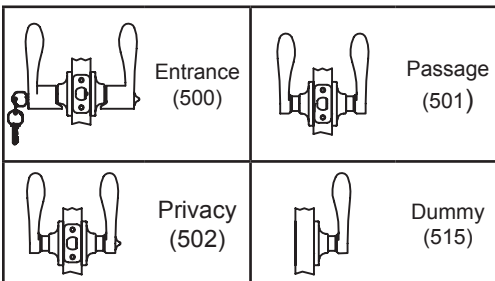
STANDARD SPECIFICATIONS

Door Prep	Cross bore: 2-1/8" Edge bore: 1" Latch face: 1" x 2-1/4"	Latches	Entrance: 2-3/8" & 2-3/4" adjustable (9060R UL) Passage/Privacy: 2-3/8" & 2-3/4" adjustable (9064R) Faceplate: 1" x 2-1/4" round corner Bolt: 1/2" throw
Backset	Fits 2-3/8" and 2-3/4"	Strikes	1-3/4" x 2-1/4" full lip round corner (9103)
Door Thickness	1-3/8" ~ 1-3/4" door standard	Wood Screws	Combination screws that suit both wood or metal door mounting
Cylinder	KW1 5-pin standard (Solid Brass) SC4 6-pin optional. Entries packed KA5	Door Handing	Entry, Passage, Privacy: Reversible Storeroom, Classroom, Dummy, Interior: Specify LH or RH
		Grade 2 Features	<ul style="list-style-type: none"> • Protective Collar • Panic Proof • Reinforced Spring Assembly • 3-Hr Fire Latch (500, 504, 509)

PRICING

Model	Function	WT/CTN	CTN QTY		US15	US12P
500-RY-G2	Entrance	24 Lbs	10 Pcs	Item No.	321220	321229
				List Price		
504-RY-G2	Storeroom	24 Lbs	10 Pcs	Item No.	326220	326229
				List Price		
509-RY-G2	Classroom	24 Lbs	10 Pcs	Item No.	329220	329229
				List Price		
501-RY-G2	Passage	22 Lbs	10 Pcs	Item No.	324220	324229
				List Price		
502-RY-G2	Privacy	22 Lbs	10 Pcs	Item No.	322220	322229
				List Price		
515-RY-G2	Dummy	21 Lbs	20 Pcs	Item No.	325220	325229
				List Price		

FUNCTIONS



HANDING GUIDE

Standing OUTSIDE the private area, regardless of whether the door swings toward you or away from you, if the Hinges are on the left, order a Left Hand (LH) lock. Likewise, if the Hinges are on the right, order a Right Hand (RH) lock.