



✉ 33 West Beaver Creek Road Richmond Hill
 Ontario Canada L4B 1L8
 ☎ 800.660.5391
 📠 800.660.5390
 📧 info@eurofase.com
 🌐 www.eurofase.com



CRONOS , LARGE SQUARE LED PENDANT

Product Specifications

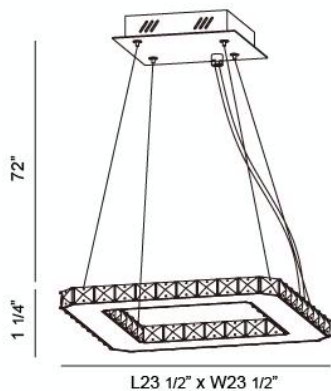
Collection: Illuminations
 Model No.: 20399
 Height: 1.25"
 Chain / Cord Length: 72"
 Width: 23.5"
 Length: 23.5"
 No. of Bulbs: 28 Inc.
 Bulb Wattage: 1 watts
 Bulb Type: LED ^{XL}LED
 Bulb Base: LED

Options Available

ITEM CODE	FINISH	SHADE
20399-016	chrome	clear crystal

Colour / Shades Available

FINISH	SHADE
chrome	<input type="radio"/> clear crystal



Project Information

Job Name: _____ Date: _____ Type: _____
 Comments: _____