




✉ 33 West Beaver Creek Road Richmond Hill
 Ontario Canada L4B 1L8
 ☎ 800.660.5391
 📠 800.660.5390
 📧 info@eurofase.com
 🌐 www.eurofase.com



SENZE , 4-LIGHT FLUSHMOUNT

Product Specifications

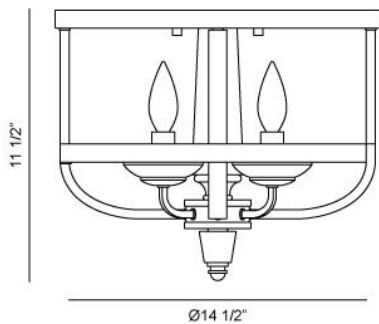
Model No.: 20312
 Height: 11.5"
 Width: 14.5"
 Diameter: 14.5"
 Est. Shipping Weight: 0.022 lbs
 No. of Bulbs: 4
 Bulb Wattage: 60 watts
 Bulb Type: B10 
 Bulb Base: E12
 Bulb Voltage: 120 volts

Options Available

ITEM CODE	FINISH	SHADE
20312-015	chrome	clear crystal

Colour / Shades Available

FINISH	SHADE
chrome	<input type="radio"/> clear crystal



Project Information

Job Name: _____ Date: _____ Type: _____
 Comments: _____