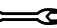


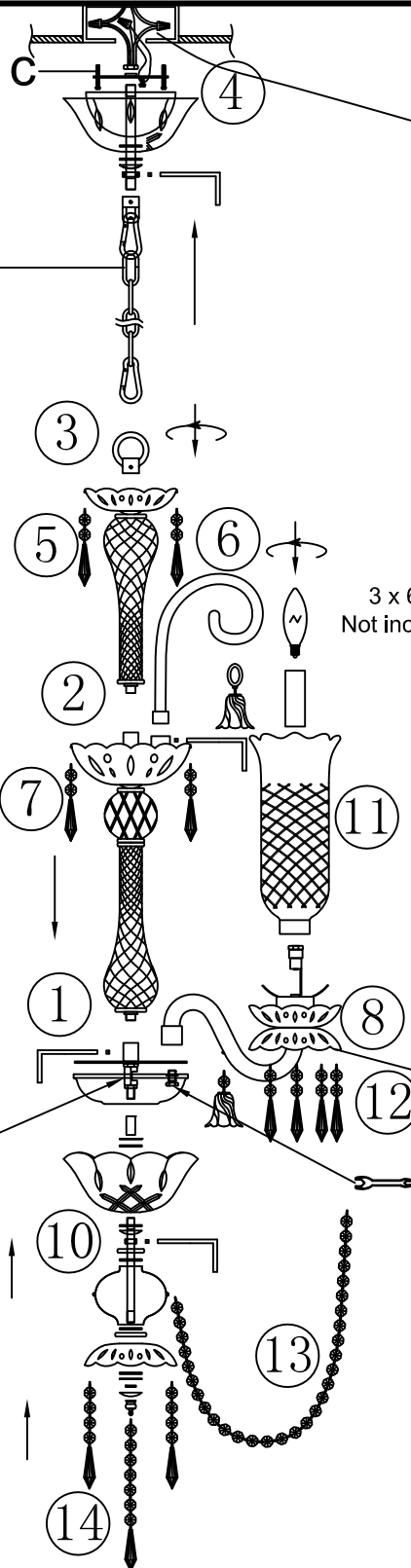
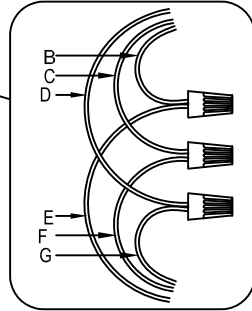
CAUTION:

Use  this wrench when nut is loose.

Adjust the chain to desired length by taking off unnecessary chain loops

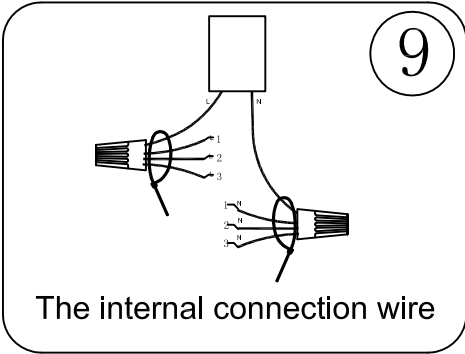
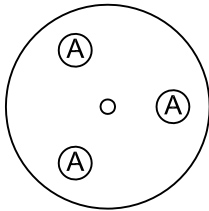
Ajustez la chaîne jusqu'à la longueur désirée en enlevant des anneaux.

Ajuste la cadena a la longitud deseada al retirar los eslabones de la cadena que no son necesarios.



3 x 60W Max B10 120V 60Hz
Not include/ Non Include /No Includo

Top view of center hub



The internal connection wire

- A-Mounting screws x 2 (provided)
- B-Black wire (L) from junction box
- C-White wire (N) from junction box
- D- Green wire/bare copper (G) from junction box
- E-Smooth wire from fixture
- F-Wire with raised longitudinal ridges from fixture
- G-Bare wire from fixture

- A-Vis de support x 2 (fournies)
- B-Câ ble noir (L) de la boîte de raccordement
- C-Câ ble blanc(N) de al boîte de raccordement
- D- Câ ble vert/Cuivre nu (G) de la boîte de raccordement
- E-Cable fil de l'installation
- F-L'e-fil avec les arêtes longitudinales hausse de l'accessoire
- G-Câ ble un l'installation

- A-(2) tornillos de montaje (incluidos)
- B-Cable negro(L) de la caja de conexiones
- C-Cable blanco (N) de la caja de conexiones
- D- Cable verde/cobre pelado (G) de la caja de conexiones
- E-Cable suave del aditamento
- F-Alambre con aristas longitudinales levantadas de la instalación fija
- G-Cable pelado del aditamento