



Contemporary
Lighting™

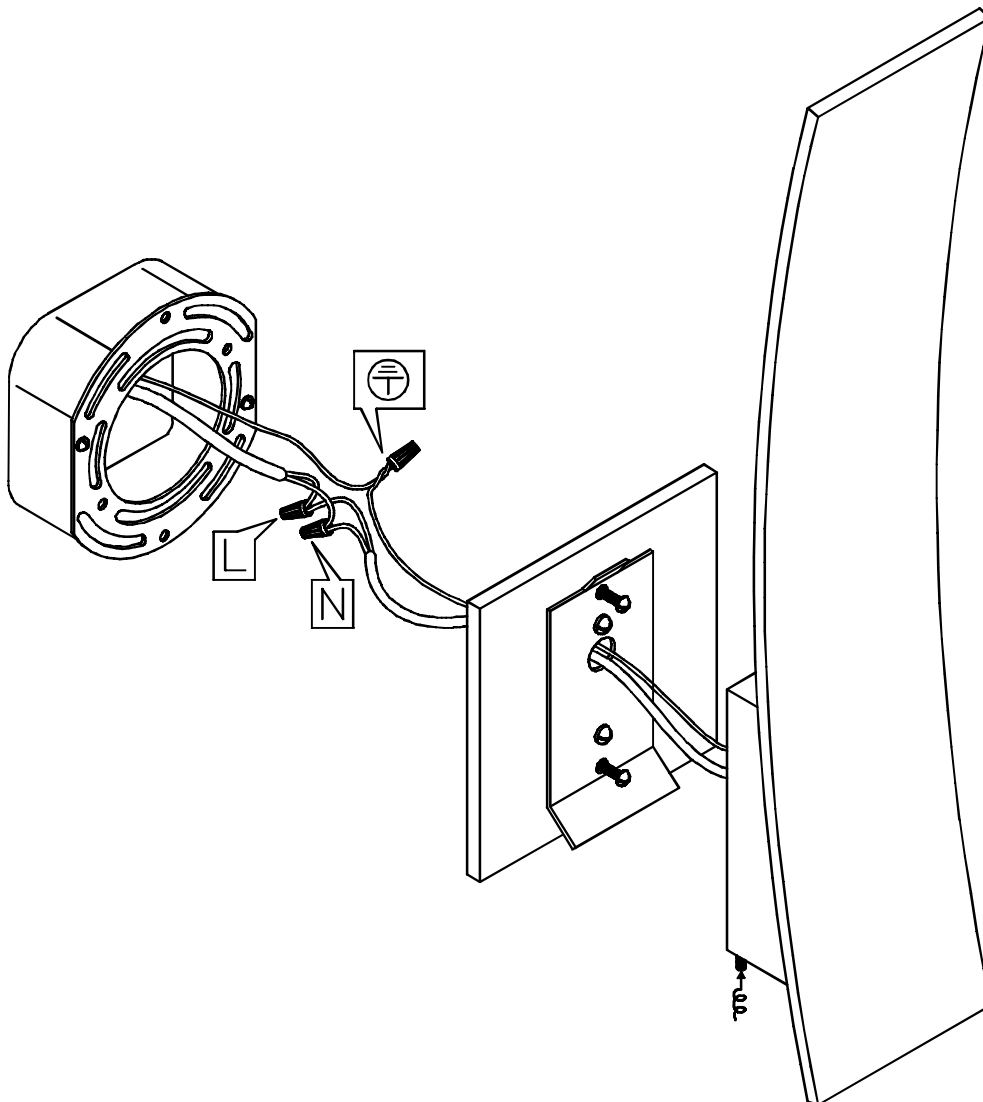
Installation Instructions

Model E41307-SA

1. Turn breaker off for circuit on outlet ,where fixture is to be installed.
2. Remove mounting bracket from fixture and install it to electrical box.
3. Wire fixture to wires in outlet box. Green wire is for Ground.
4. Install fixture to back-plate and tighten worm screws so that fixture meets the wall.

Warning:

These fixtures contain electronic drivers than cannot be operated with a dimmer of any kind. Doing so will void the warranty.





Contemporary
Lighting™

Installation Instructions

Model E41307-WT

1. Turn breaker off for circuit on outlet ,where fixture is to be installed.
2. Remove mounting bracket from fixture and install it to electrical box.
3. Wire fixture to wires in outlet box. Green wire is for Ground.
4. Install fixture to back-plate and tighten worm screws so that fixture meets the wall.

Warning:

These fixtures contain electronic drivers than cannot be operated with a dimmer of any kind. Doing so will void the warranty.

