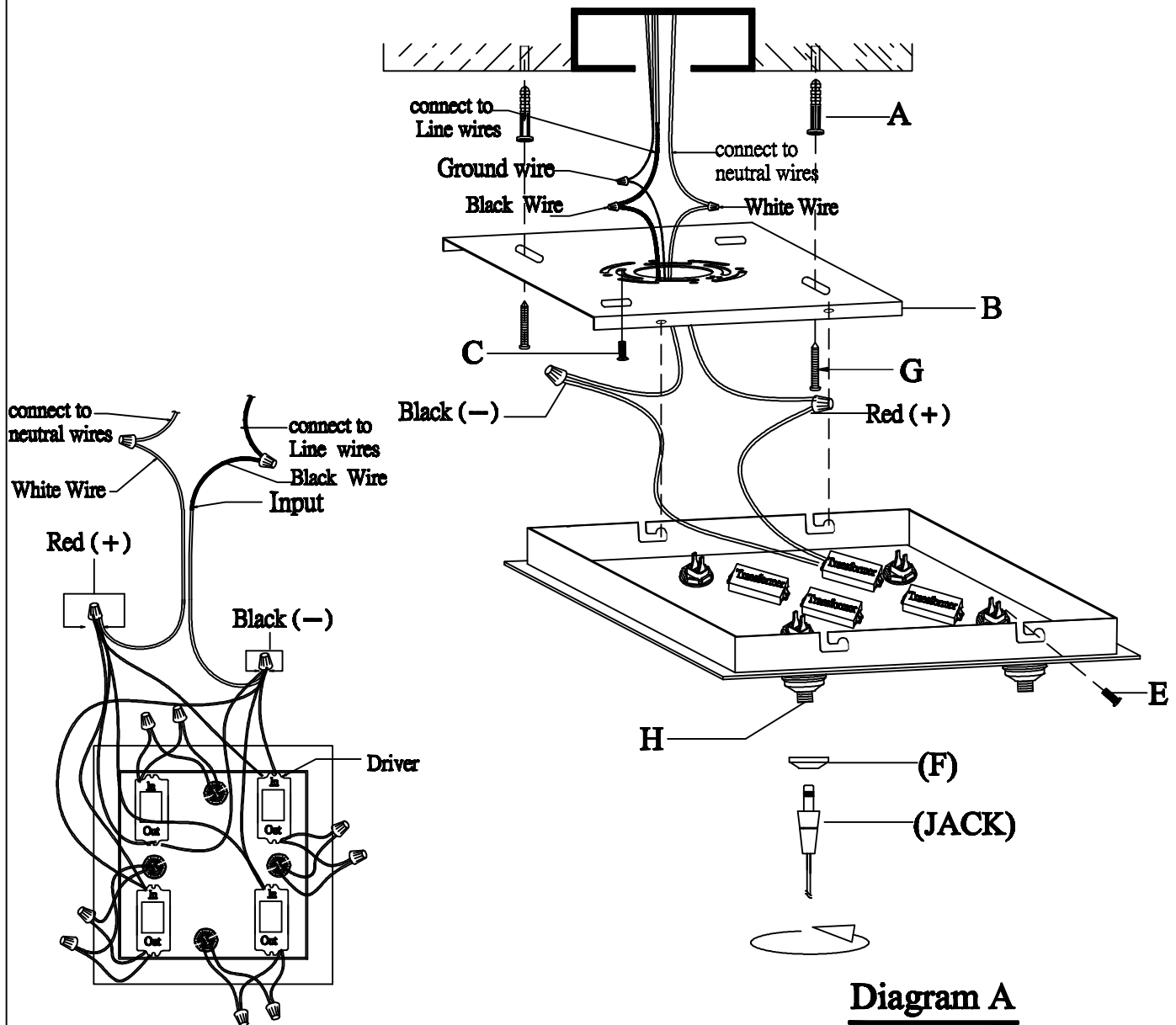
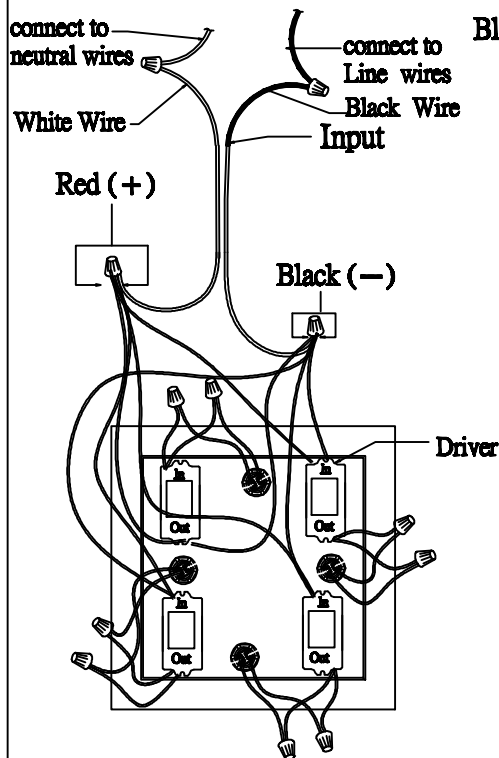


Turn off power at breaker for outlet fixture is being installed to.

1. Position the Backplate (B) on the ceiling at desired location and mark the place for the anchor at the extra 4 holes location of the Backplate (B).
2. Drill pilot holes on the marked spots and insert Plastic Anchors (A).
3. Attach the Backplate (B) to the outlet box using the Screws (C) provided. Use the Wood Screws (G) to further secure the Backplate (B) to ceiling at the 4 plastic anchor (A) place.
4. Wire Jack Canopy per Diagram A
5. Attach Jack Canopy (D) to the Backplate (B) with Screws (E) and tighten Screw (E) to secure. Please refer to Diagram B for details.
6. Attach Cap (F) to the Socket (H), then insert the Jack to the Socket (H). (Jack is not provided).
7. Install Jack Fixture follow instruction provided with Jack Fixture.



**Diagram A**



**Diagram B**