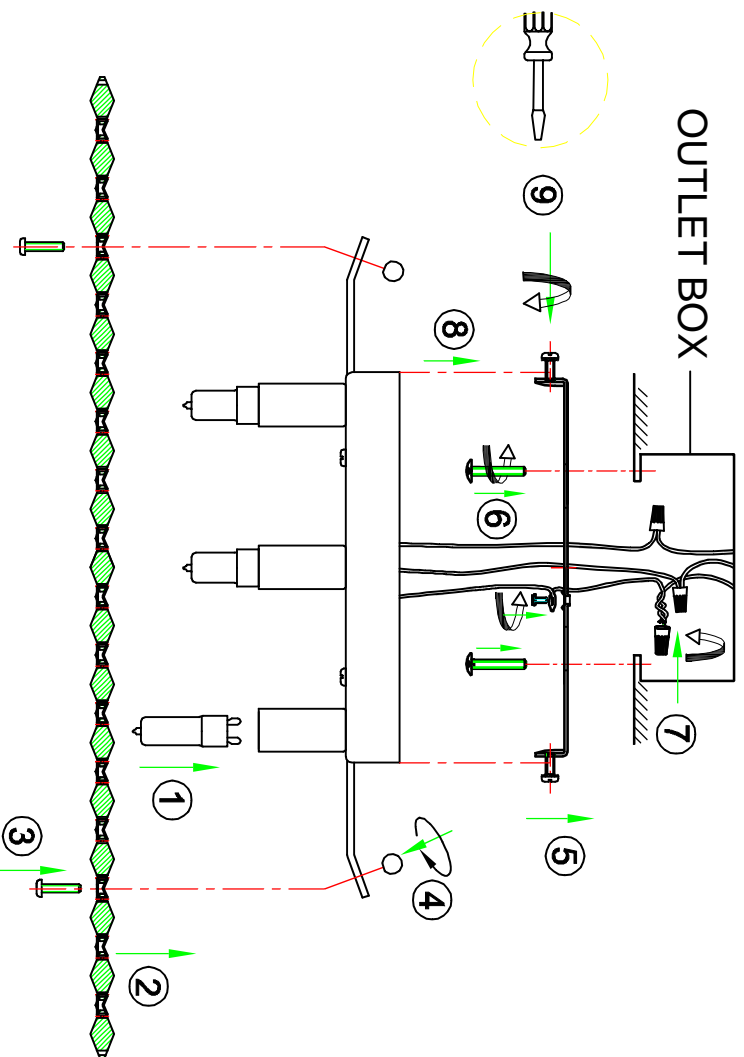


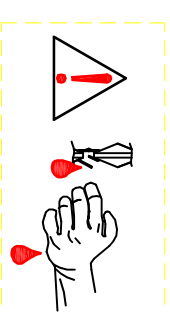
INSTALLATION INSTRUCTION

Item NO.:E24272-20PC

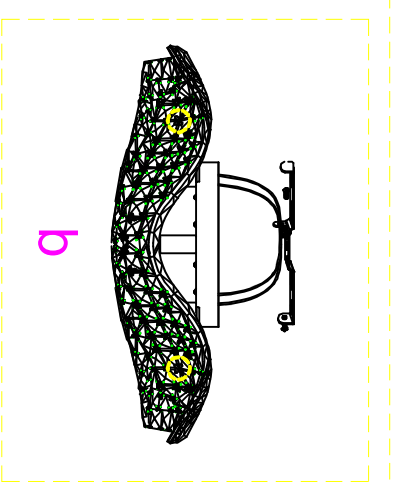
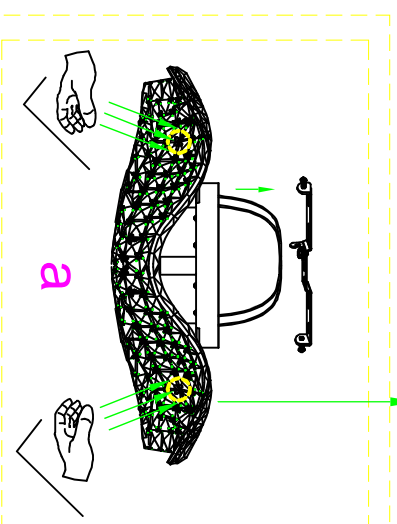
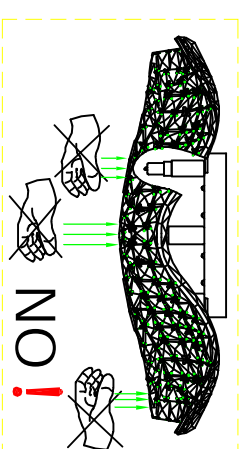
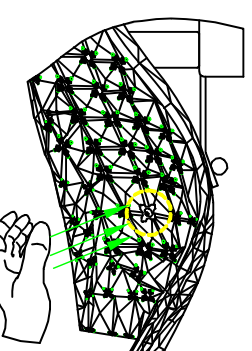


FEATURE

Lamp Type: "Xenon"G9 4 x MAX 60W 120V~60HZ
The lamp is for indoor use only



be careful !



8