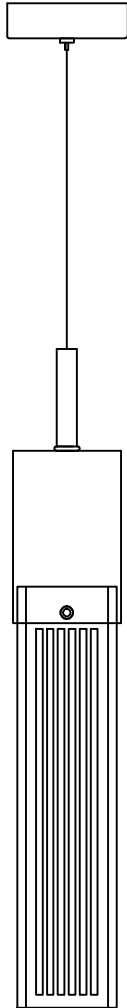


Contemporary Lighting

PRODUCT NAME: Fizz Single Light Pendant
ITEM NUMBER: E22761-89

Please consult your electrician for hanging fixture and wiring



The fixture is designed to work with a standard Triac forward phase dimmer. Dimming levels will vary by dimmer.

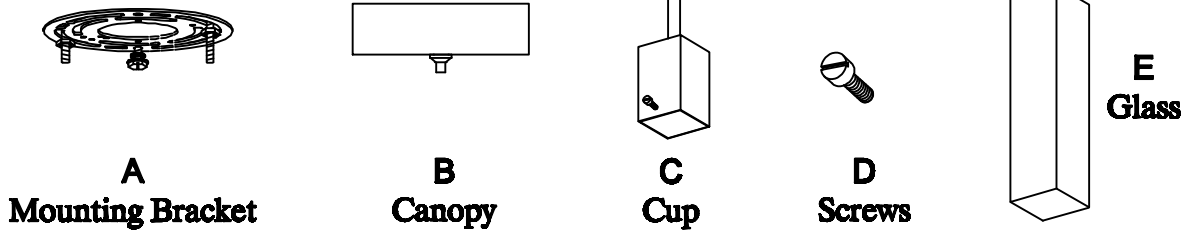
Below is a list of recommended dimmers:

- Lutron MACL-153M
- Lutron DVL-153P
- Lutron SCL-153P
- Leviton IPL06-10Z
- Leviton 6674-POW

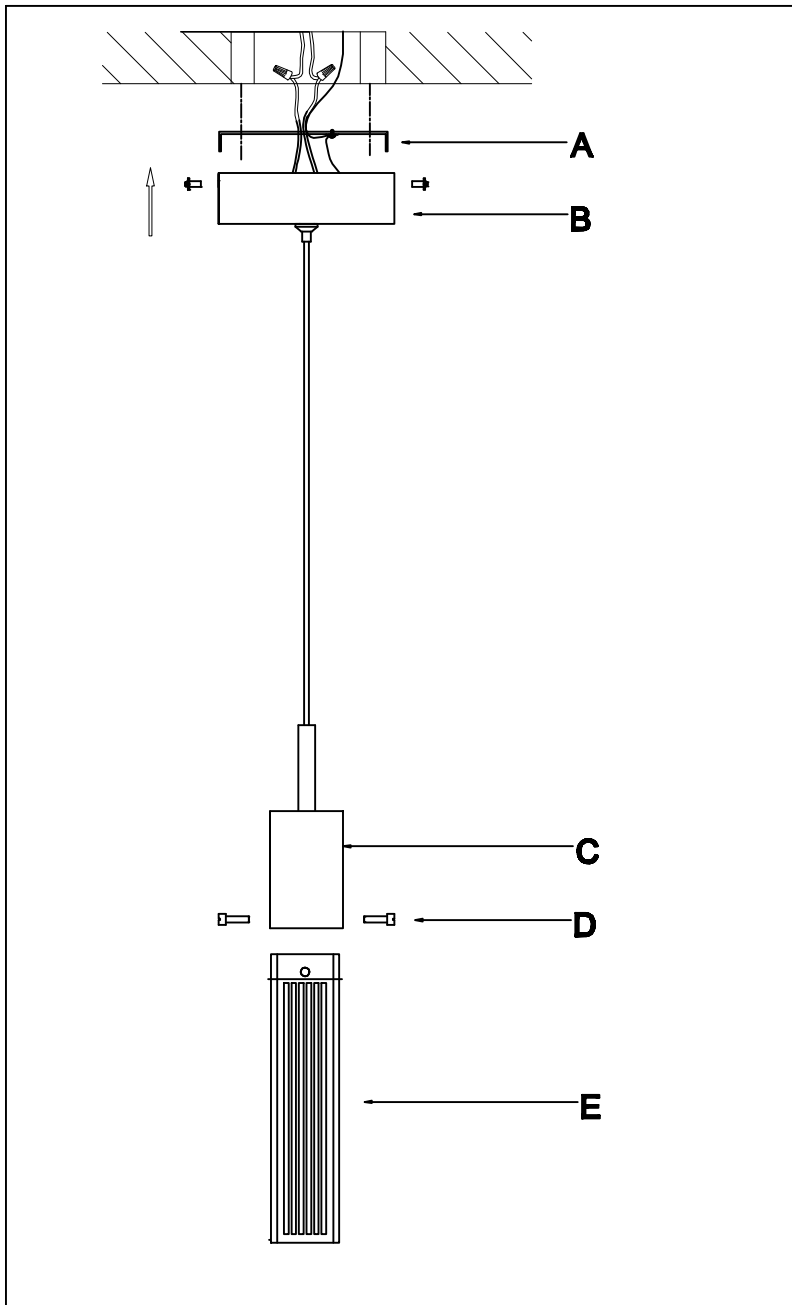
Due to inrush current wattage should not exceed 150 watts of product for a 600 watt dimmer.

WARNING: Wires need to be connected to driver found in canopy and should not connect directly to power source or a short might occur.

IMPORTANT: Turn off the power at the main fuse or circuit breaker box before starting installation



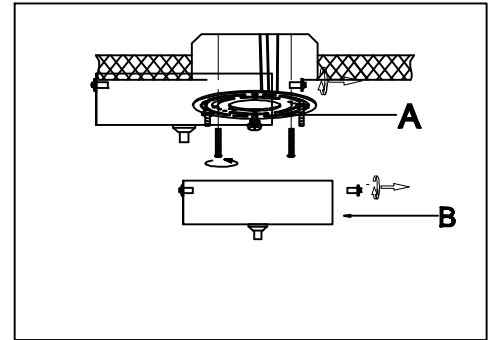
Locate all hardware & components before discarding packaging



Cleaning & Care:

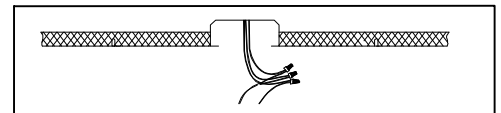
Clean with soft cloth and a mild detergent.
Do not use abrasive cleaner.

1.)



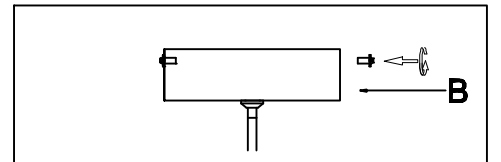
Step 1: Remove mounting bracket (A) from canopy (B) and install to electrical box.

2.)



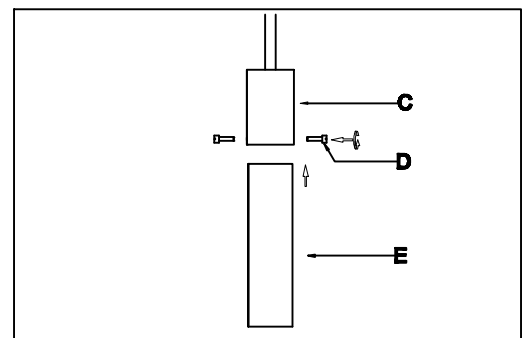
Step 2: Wire fixture to wires in outlet box. Copper wire is for Ground.

3.)



Step 3: Adjust wire length to desired mounting height, and tighten strain relief screws to secure. Install canopy (B) to bracket using screws at the ends of the canopy to secure.

4.)



Step 4: Insert glass (E) into cup (C) and secure using screws (D) provided.