

Instructions

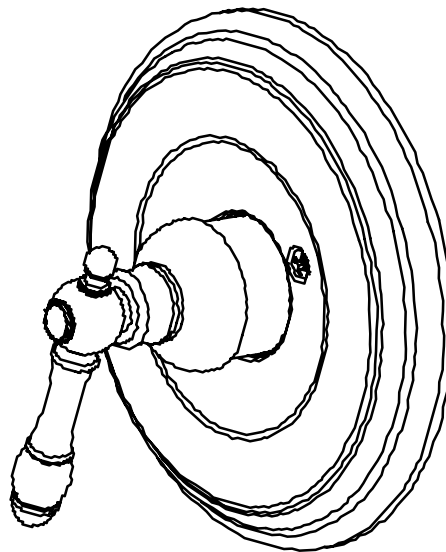
59-71050 – Chrome
59-71050-BN – Brushed nickel
59-71050-BB – Brushed bronze



Certifications



Handle Trim Kit



*Image may vary slightly from actual product

Tools Required

Adjustable Wrench
Groove Joint Pliers
Pipe Wrench
Phillips Screwdriver
Pipe Tape or Pipe Thread Compound
1/2" iron pipe plug



Safety Tips

If you solder the joints during installation of the faucet, the seats, cartridges, and washers must be removed before using a flame or the warranty will be voided on these parts.

Protect your eyes with safety glasses when cutting or soldering water supply lines.

Cover the sink drain to avoid losing parts.

Things You May Need

Installations may vary depending on how the previous faucet was installed. Supplies necessary for the installation of your faucet are not all included; however, they are available wherever plumbing supplies are sold.

Maintenance

Your new trim kit is designed for years of trouble-free performance.

Keep it looking new by cleaning it periodically with a soft cloth. Avoid abrasive cleaners, steel wool, and harsh chemicals as these will dull the finish and void your warranty.

Important Points

Prior to beginning installation, turn off the hot and cold water lines, then turn on the old faucet to release built-up pressure. When installing your new faucet, turn the connector nuts finger tight, then use one wrench to hold the fitting and a second wrench to tighten the nut. Connections that are too tight will reduce the integrity of the system.

Wrap all threaded connections with PTFE pipe tape available at your local hardware or plumbing supply store. Always wrap in a clock-wise direction.

Contact Us

For Customer Service please call 877-319-3757, or go to homeworksww.com.

Instructions

59-71050 – Chrome
59-71050-BN – Brushed nickel
59-71050-BB – Brushed bronze



Certifications



Handle Trim Kit

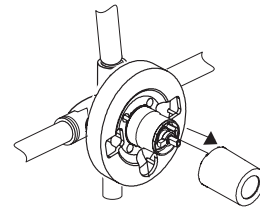
Preparation and Assembly

1



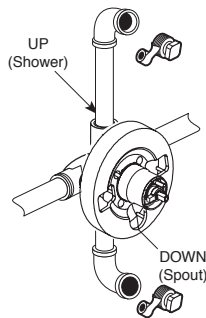
Locate water supply inlet and shut off water supply valve. Remove old handle trim. Clean and dry surface area where new handle trim will be mounted.

2



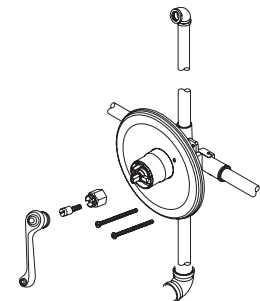
Before installing escutcheon, remove the plastic cap from plaster guard by twisting cap clockwise.

3



PRESSURE TESTING:
Install a 1/2" iron pipe plug (not included) on both shower and tub outlets. Turn hot and cold valve stems to full "on" position and check connections for leaks. Turn stem to "OFF". Slowly remove pipe plugs from shower and tub outlets.

4



After wall treatment, install escutcheon onto valve then screw in escutcheon and install handle assembly.

Troubleshooting

PROBLEM: Leaks from under handle

CAUSE: Bonnet is loose or bottom gasket on cartridge is dirty or twisted.

ACTION:

Remove faucet handle. Tighten the bonnet. Clean or replace O-ring.

Specifications



Certifications



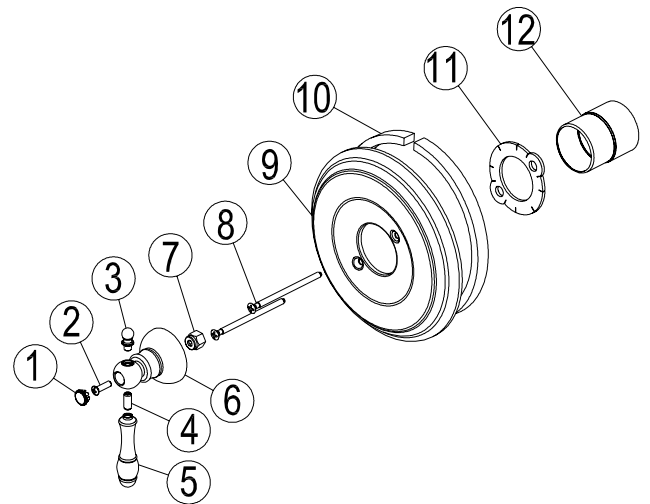
ADA Compliant

59-71050 – Chrome
59-71050-BN – Brushed nickel
59-71050-BB – Brushed bronze

Physical Characteristics

- Description: Single metal handle trim with matching escutcheon, retaining nut and valve sleeve
- Laser-etched hot and cold markings
- Must be used with pressure balance valve

No.	Part Description	Material
1	Button	Brass C37700
2	Screw	S.S302/S.S.304
3	Cap	Brass C37700
4	Bolt	Steel Q235A
5	Handle	Zinc ZZnA14
6	Handle Seat	Brass C37700
7	Inverter	POM M90
8	Screw	S.S.304
9	Escutcheon	Brass C37700
10	Washer	EVA (Du Pont OSA)
11	Washer	EVA (Du Pont OSA)
12	Sleeve	Brass C27000



Rough-In

59-71050 – Chrome
 59-71050-BN – Brushed nickel
 59-71050-BB – Brushed bronze



Certifications



ADA Compliant

Handle Trim Kit

