

Instructions

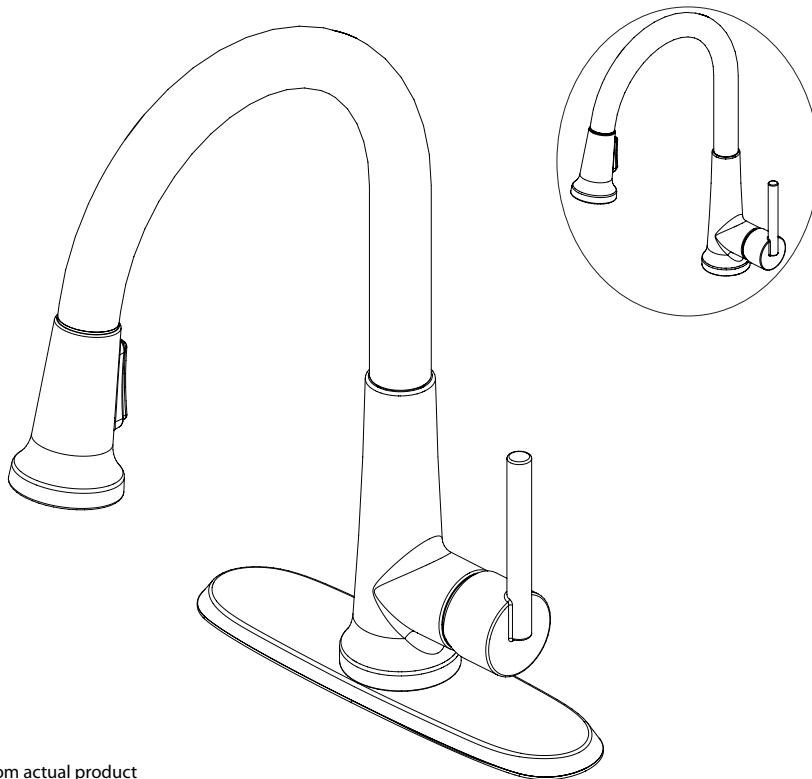
30-51111 – Chrome
30-51111-BN – Brushed nickel



Certifications



Single Handle, Pull-Down Kitchen Faucet with Two-Function Spray



*Image may vary slightly from actual product

Tools Required

Adjustable Wrench
Groove Joint Pliers
Pipe Wrench
Phillips Screwdriver
Pipe Tape or pipe thread compound



Safety Tips

If you solder the joints during installation of the faucet, the seats, cartridges, and washers must be removed before using a flame or the warranty will be voided on these parts.

Protect your eyes with safety glasses when cutting or soldering water supply lines.

Cover the sink drain to avoid losing parts.

Things You May Need

Installations may vary depending on how the previous faucet was installed. Supplies necessary for the installation of your faucet are not all included; however, they are available wherever plumbing supplies are sold.

Maintenance

Your new kitchen faucet is designed for years of trouble-free performance.

Keep it looking new by cleaning it periodically with a soft cloth. Avoid abrasive cleaners, steel wool, and harsh chemicals as these will dull the finish and void your warranty.

Important Points

Prior to beginning installation, turn off the hot and cold water lines, then turn on the old faucet to release built-up pressure. When installing your new faucet, turn the connector nuts finger tight, then use one wrench to hold the fitting and a second wrench to tighten the nut. Connections that are too tight will reduce the integrity of the system.

Wrap all threaded connections with PTFE pipe tape available at your local hardware or plumbing supply store. Always wrap in a clock-wise direction.

Contact Us

For Customer Service please call 877-319-3757, or go to homeworksww.com.

Instructions

30-51111– Chrome
30-51111-BN – Brushed nickel

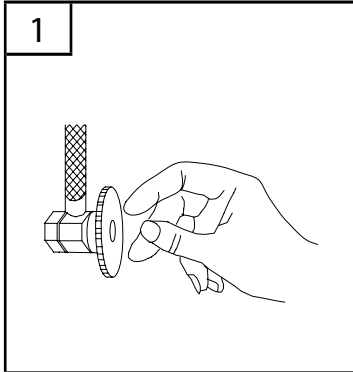


Certifications

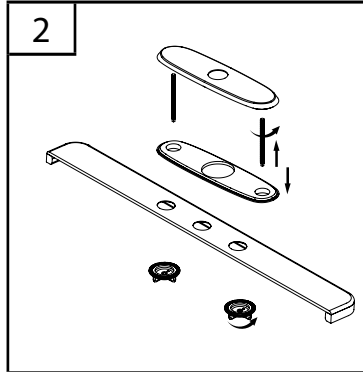


Single Handle, Pull-Down Kitchen Faucet with Two-Function Spray

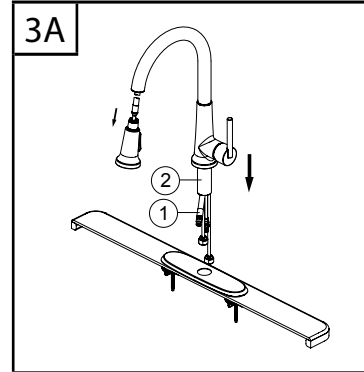
Preparation and Assembly



1
Locate water supply inlet and shut off water supply valve. These are usually found under the sink or near the water heater. Remove old faucet. Clean and dry sink surface area where new faucet will be mounted.

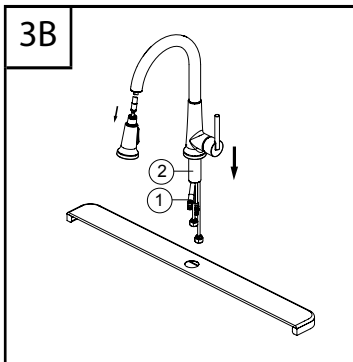


2
Optional escutcheon installation
Install escutcheon over the three holes in the sink. From underneath sink, hand tighten mounting nut. Do not overtighten. Proceed to step 3A.



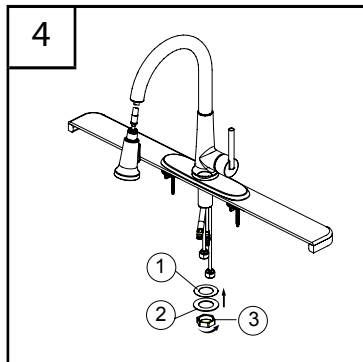
3A
Retract pull-out hose (1) up through faucet body until the pull-out hose fitting is flush with the bottom of shank (2). Do not pull hose fitting past the shank. Insert faucet body through the hole in escutcheon.

Note: Do not feed the pull-out hose (1) back down through the spout until step 5.

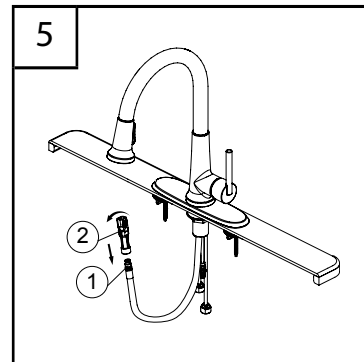


3B
Optional flange installation
Retract pull-out hose (1) up through faucet body, until the pull-out hose fitting is flush with the bottom of shank (2). Do not pull hose fitting past the shank. Insert faucet body through the hole.

Note: Do not feed the pull-out hose (1) back down through the spout until step 5



4
Install rubber washer (1), metal washer (2) onto the threaded mounting shank. Thread nut (3) onto mounting shank. Do not overtighten.



5
Screw quick connector (2) to the free end of pull-out hose (1).

Troubleshooting

30-51111– Chrome
30-51111-BN – Brushed nickel

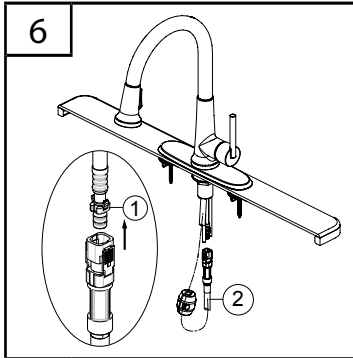


Certifications

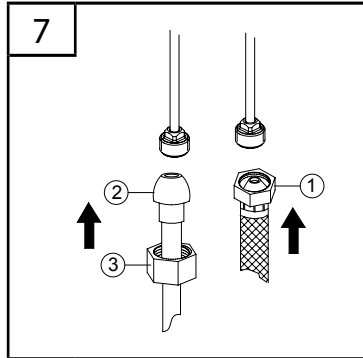


Single Handle, Pull-Down Kitchen Faucet with Two-Function Spray

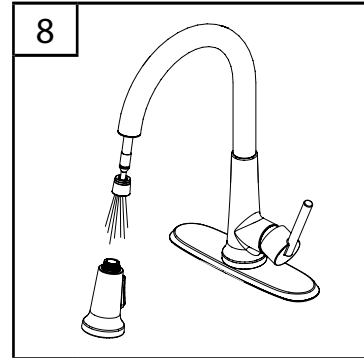
Preparation and Assembly (cont.)



Align block (1) and tabs on quick connect. Push quick connect housing firmly upward and snap onto receiving block. Pull down moderately to ensure connection has been made. If it is necessary to remove quick connect, squeeze tabs on hose between index finger and thumb, then pull down to disconnect. After connecting the hose, install the weights at the lowest point of the hose (2).



Make connections to water lines. Use 1/2" IPS faucet connections (1) or use supplied coupling nuts (3) with 3/8" OD ball-nose riser (2). Do not overtighten.



Turn on hot and cold water supplies. Pull the hose assembly out of the spout and remove the spray head by unscrewing it from the hose counter-clockwise. Be sure to hold the end of the hose down into the sink and turn the faucet on to the warm positions where it mixes hot and cold water. Flush water lines for one minute. Check for leaks. Re-tighten any connections if necessary, but do not overtighten. Re-install spray head by hand tightening it back onto the spray hose.

Troubleshooting

PROBLEM: Leaks underneath handle and water does not completely shut off.

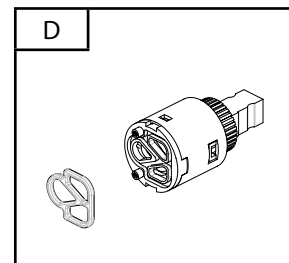
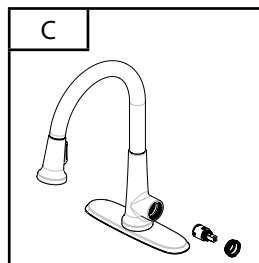
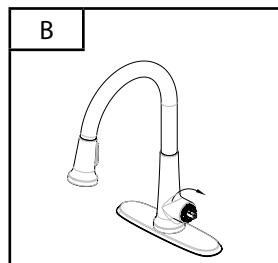
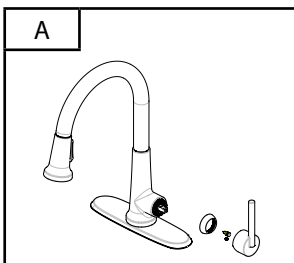
CAUSE: Bonnet has come loose or O-ring on cartridge is dirty or worn.

ACTION:

1. Remove the handle by loosening the set screw with a phillips screwdriver and unscrew cap (Diagram A).
2. Tighten the bonnet nut by turning it clockwise (Diagram B). Move the cartridge stem to the on position. The leak should stop draining out from around the cartridge stem.

3. If the leak does not stop, shut off the water supply. Remove the bonnet nut by turning it counter-clockwise. Lift out the cartridge (Diagram C). Clear or replace the cartridge if it is dirty or distorted by calling customer service (Diagram D).

4. Position the cartridge back to the faucet body and retighten the bonnet nut and cap.
5. Re-install the handle.



Specifications

Physical Characteristics

- Description: Single metal lever handle kitchen faucet with two-function pull-down spray and 8" center distance
- Ceramic cartridge
- 1 or 3-hole installation
- Optional deck plate included
- ASME A112.18.1/CSA B125 Certified
- Meets ANSI/NSF 61-9
- This product complies with 0.25% weighted average lead content on wetted surfaces.
- Total Weight of Item: 2477.63 g

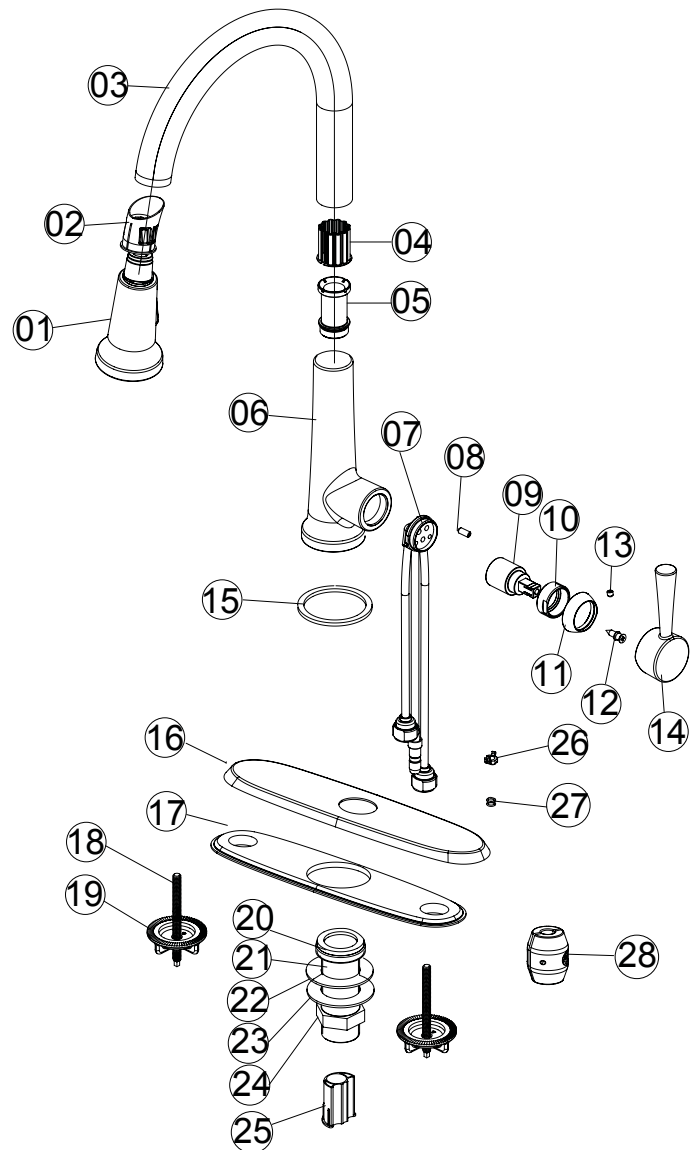


Certifications



30-51111- Chrome
30-51111-BN - Brushed nickel

No.	Part Description	Material
1	Spray head	ABS
2	Inverter	POM M90S
3	Spout	C27000
4	Wearable washer	POM Celcon M90
5	Spout nut	ZZnA14
6	Body	ZZnA14
7	Body assembly	C37700+C12200
8	Pin	SUS304
9	Cartridge	AL2O3 96%+Silicon
10	Bonnet	C37700
11	Cap	C37700
12	Connect	SUS304
13	Set screw	SUS302
14	Handle	ZZnA14
15	Washer	EVA
16	Escutcheon	ZZnA14
17	Base plate	PP M800E
18	Bolt	Q235A
19	Locking nut	ABS
20	Tube	Q235A
21	Nut	Z235A
22	Washer	PP
23	Washer	Q235A
24	Locking nut	C37700
25	Tunnel	POM
26	Block	POM Celcon M90
27	O-ring	NBR N7008F
28	Weights	HT150+SWRM8



Rough-In

30-51111- Chrome

30-51111-BN - Brushed nickel



Certifications



Single Handle, Pull-Down Kitchen Faucet with Two-Function Spray

