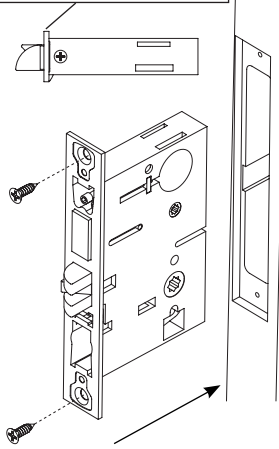


Installation Guide - UL Mortise Thumb by Lever/ Knob

1. Install Mortise Lock

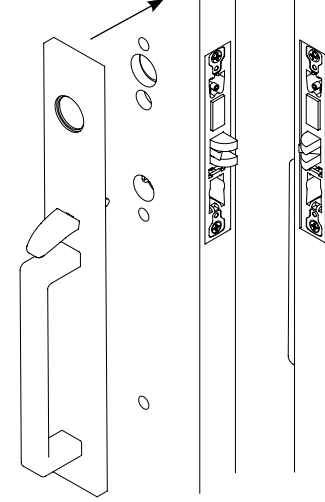
Face plate can be adjusted for door bevel up to 3-1/2 deg.



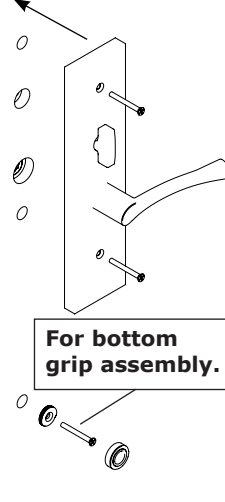
See template for door prep specifications.

2. Mount Inside and Outside Trim to Door

Outside



Inside

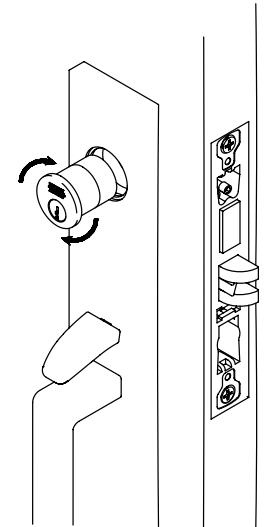


For bottom grip assembly.

Trims and grips will vary depending on style.

3. Install Key Cylinder

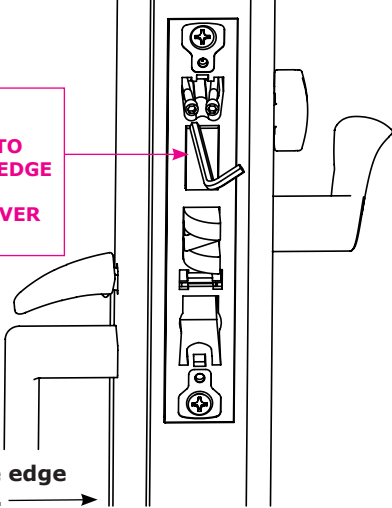
Install key cylinder by threading it clockwise on to trim plate.



4. Tighten Key Cylinder

After key cylinder is installed, secure cylinder by tightening screw with 9/64 hex wrench (provided).

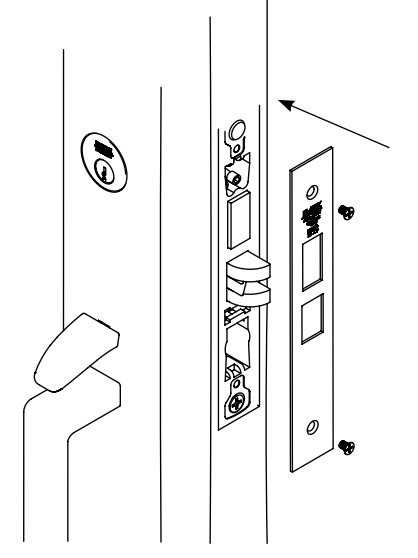
TIGHTEN SCREW CLOSEST TO OUTSIDE EDGE OF DOOR. DO NOT OVER TIGHTEN.



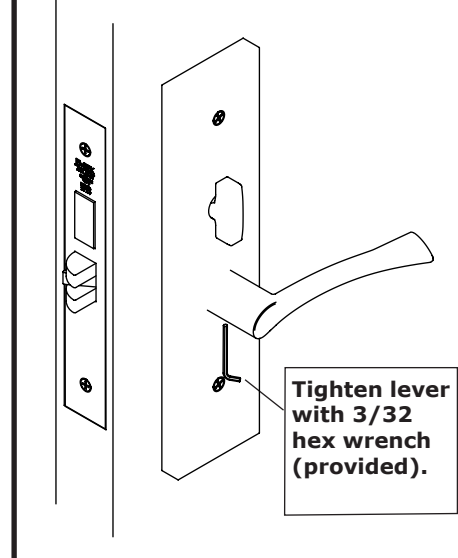
Outside edge of door.

5. Install Trim Plate

Outside



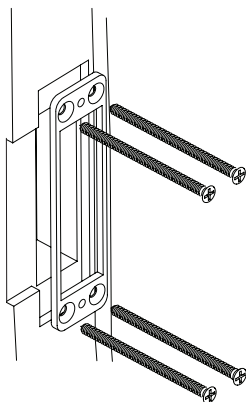
Inside



Tighten lever with 3/32 hex wrench (provided).

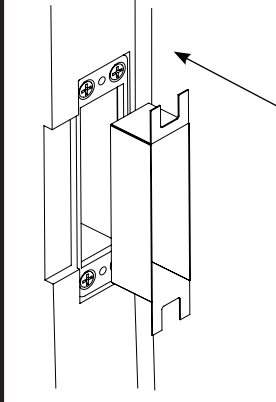
1. Install Security Plate

Fasten security strike to door jamb with #10 x 3 wood screws (provided).



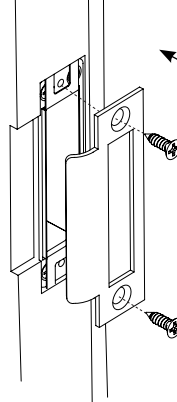
2. Install Dust Box

Dust box slips into security strike.



3. Install Strike Plate

See template for door jamb prep specifications.



#12-24 self tapping screws (provided).

