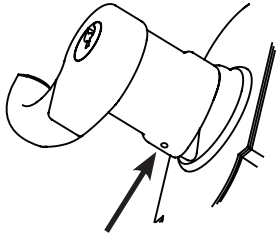
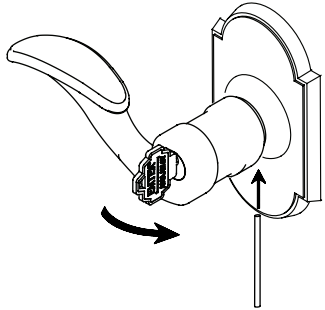


Re-pinning Cylinder (Optional)

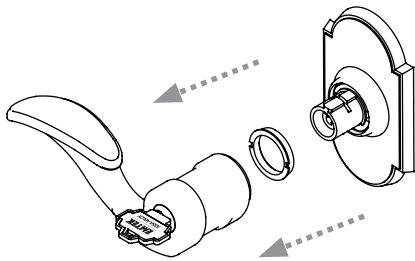
Step 1. Small hole should face down.



Step 2. Rotate key counterclockwise 90° while pressing wire into hole.



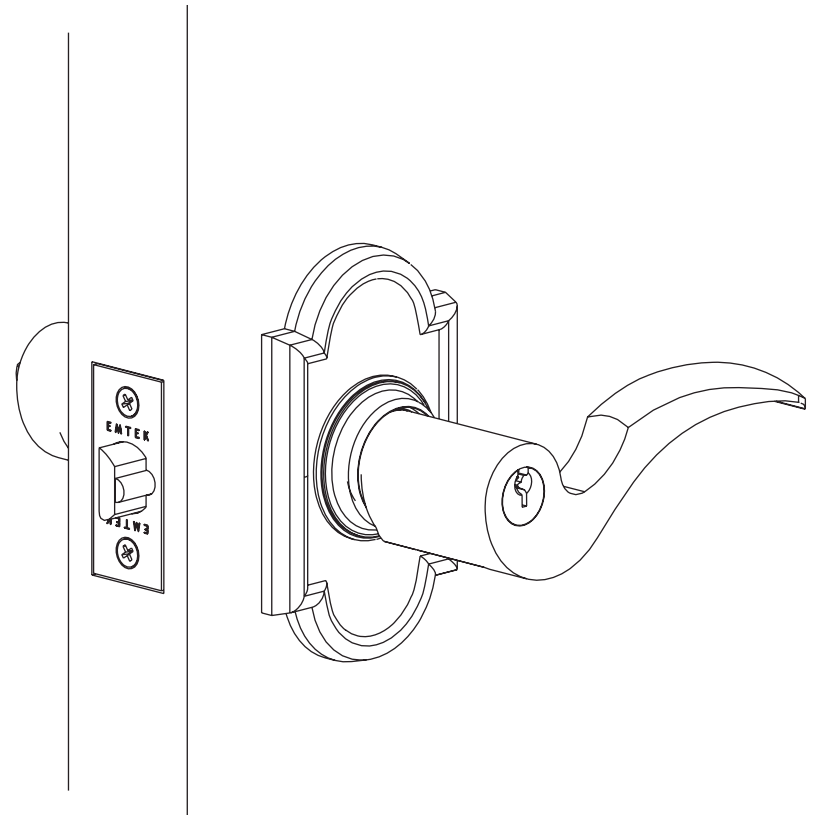
Step 3. Slide lever off stem.



For more information on rekeying cylinder, please scan the QR code for how-to video.

EMTEK
ASSA ABLOY

Key in Lever Lock with #8 Style Rosette Installation Guide



ASSA ABLOY is the global leader in door opening solutions, dedicated to satisfying end-user needs for security, safety and convenience.

Copyright © 2013, Emtek Products, Inc. an ASSA ABLOY Group company. All rights reserved. Reproduction in whole or in part without the express written permission of Emtek Products, Inc. is prohibited.

ASSA ABLOY, the global leader in door opening solutions

Installation Guide - For Key in Lever Lock with #8 Style Rosette

Lock Assembly

Outside Trim

Flat spindle **MUST** be in horizontal position for installation

Inside Trim

Door Prep

1/8" Deep

2 3/8" or 2 3/4" Backset

2 1/8" Dia. Bore

1" Diameter Edge Bore

Install Strike Plate

Fasten Strike Plate using Two #8 x 3/4" Wood Screws (provided).

Scan this QR code for installation video

IMPORTANT!

CHECK LATCH HUB POSITION BEFORE INSTALLING

2 3/8" Backset Correct Hub Position ✓

2 3/8" Backset **Wrong** Hub Position ✗

2 3/4" Backset Correct Hub Position ✓

1. Adjust and Install Latch

Step 1. Adjusting for appropriate backset.

2 3/4" Backset Correct Hub Position

2 3/8" Backset Wrong Hub Position

Plastic Latch Pin

! The Adjustable Latch is factory shipped with a 2 3/4" backset position. Remove pin and slide spindle hub forward for a 2 3/8" backset, then reinsert the pin in the hole at the back of the latch as shown.

Step 2. Fasten Adjustable Latch using two #8 x 3/4" Wood Screws (provided).

To remove Pin: Push Plastic Latch Pin through latch with screwdriver.

2. Remove Inside Rosette

Step 1. Remove inside lever by loosening set screw w/ hex wrench (provided).

Step 2. Unthread rosette counterclockwise to remove from housing before installing on door.

Spanner wrench (provided).

3. Installing Inside Trim

Step 1. Secure inside rosette to door by threading it clockwise on to stem.

Plunger spindle **MUST** be in horizontal position for installation.

Step 2. Tighten lever set screw after placing lever on stem.