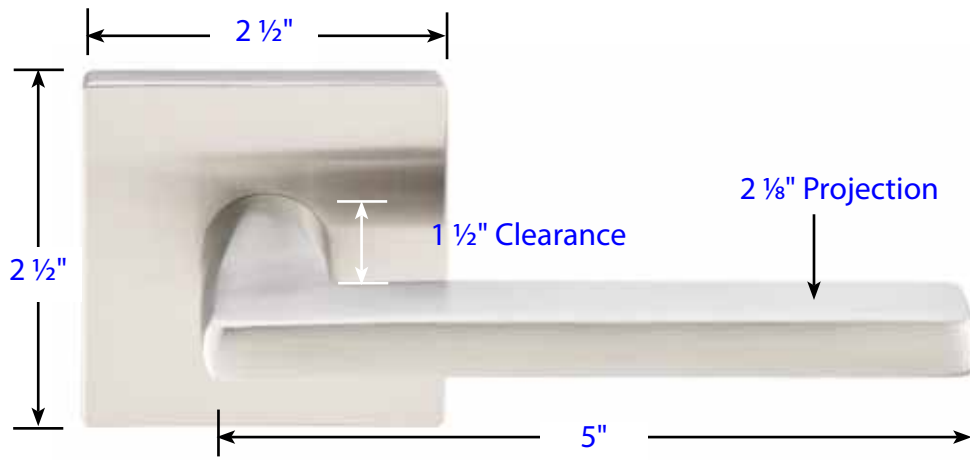




Dresden (DD)



Helios (HL)

Door Thickness Specifications

- Standard Door Thickness: 1³/₈"- 2"
- Standard Components:
 - Privacy Pin (for privacy sets)
 - Inside Passage Half Spindle
 - 1¹/₂" Socket Head Machine Screws
 - Full-Lip Strike Plate

- **Extended** Door Thickness: 2"- 2¹/₂"
- Extended Components:
 - Privacy Pin w/ Extension (for privacy sets)
 - Long Inside Passage Half Spindle
 - 2" Socket Head Machine Screws
 - Extended Full-Lip Strike Plate

- **Extended** Door Thickness: 2¹/₂"- 2³/₄"
- Extended Components:
 - Privacy Pin w/ Extension (for privacy sets)
 - Long Inside Passage Half Spindle
 - 2¹/₂" Socket Head Machine Screws
 - Extended Full-Lip Strike Plate