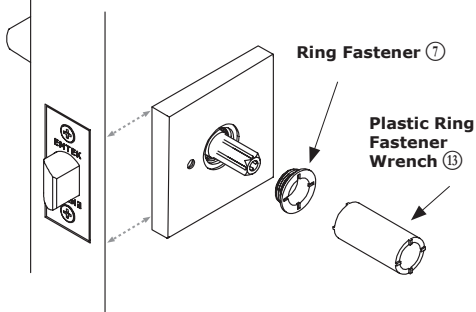


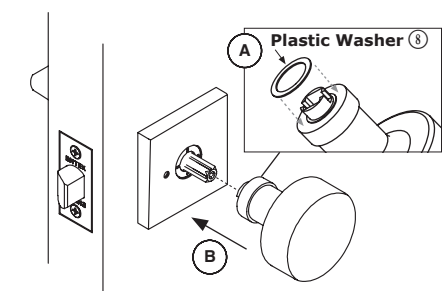
## 5. Install Trims (Continued)

**Step 6:** Secure rosette to door with Ring Fastener (7) using Plastic Ring Fastener Wrench (13).

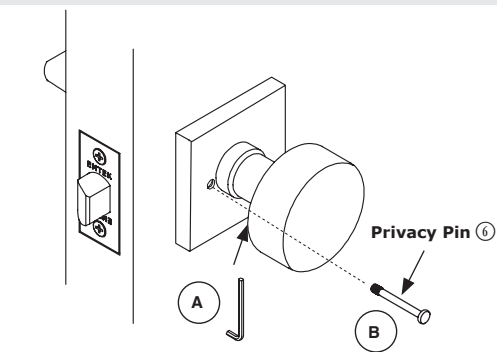
**Check trim alignment before fully tightening Ring Fastener.**



**Step 7: A.** Place Plastic Washer (8) on to Knob or Lever (9). **B.** Then install Knob or Lever (9) by sliding it on to the spindle.



**Step 8: A.** Tighten the pre-installed set screw in knob or lever with 3/32" Allen Wrench (14). **B.** Screw Privacy Pin (6) through interior trim into latch.

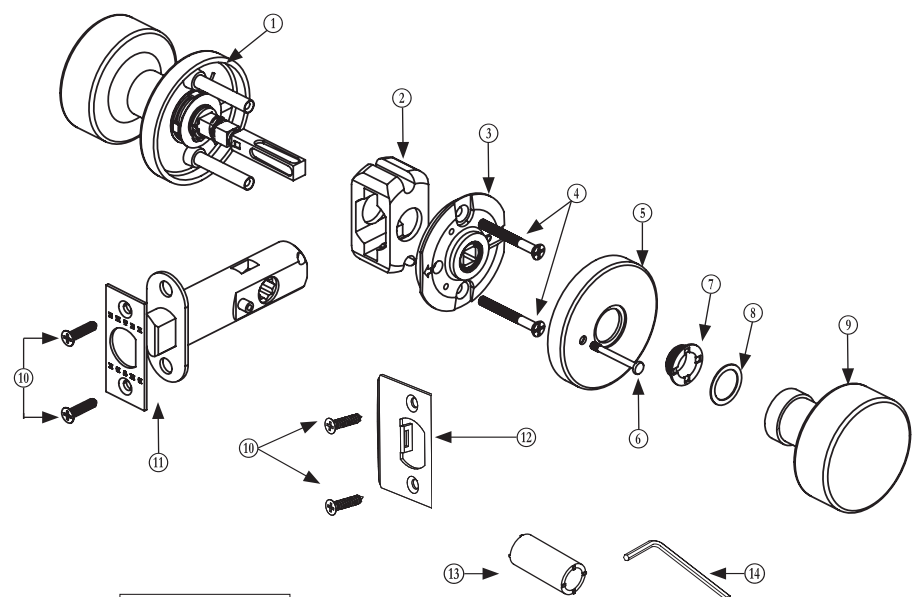


Scan QR code for installation video

# CF Mechanism

## Passage & Privacy Locksets

### Installation Guide

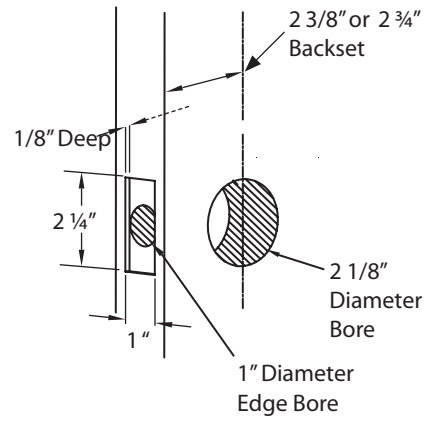


What's in the Box

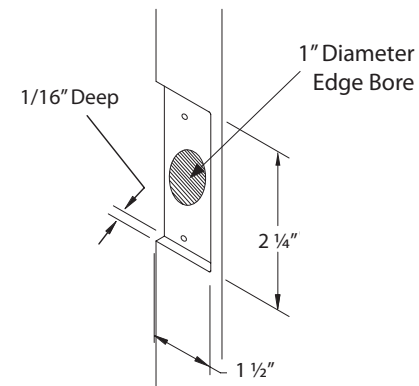
ITEM NO.	DESCRIPTION	QTY.
①	Pre-Assembled Trim	1
②	Plastic Alignment Tool	1
③	Concealed Fastener Mechanism	1
④	#8-32 x 1" Flat Head Machine Screws	2
⑤	Rosette	1
⑥	Privacy Pin	1
⑦	Ring Fastener	1
⑧	Plastic Washer	1
⑨	Interior/Exterior Knob or Lever	1
⑩	#8 x 3/4" Wood Screws	4
⑪	Latch	1
⑫	Strike Plate	1
⑬	Plastic Ring Fastener Wrench	1
⑭	3/32" Allen Wrench	1

Preparation

1. Door Prep

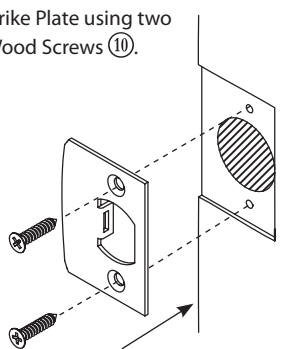


2. Door Jamb Prep



3. Install Strike Plate

Fasten Strike Plate using two #8 x 3/4\" Wood Screws (10).



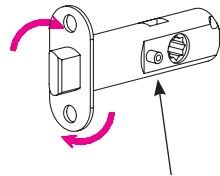
4. Install Latch

Step 1: Place Plastic Alignment tool (2) in bore hole.

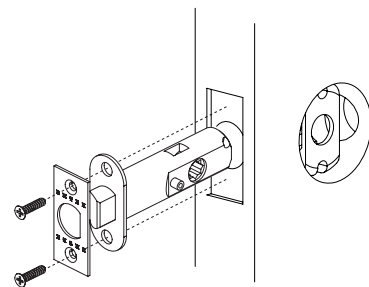


Step 2: Insert & fasten Latch (11) using two #8 x 3/4\" Wood Screws (10).

**IF NECESSARY, ROTATE LATCH NOSE SO CURVED FACE WILL HIT THE STRIKE PLATE WHEN THE DOOR IS CLOSING.**



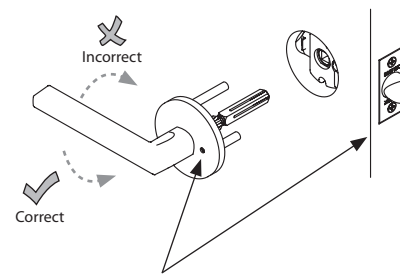
Threaded hole must face the side of the door where the privacy pin will be installed (only for privacy function).



How to Install

5. Install Trims

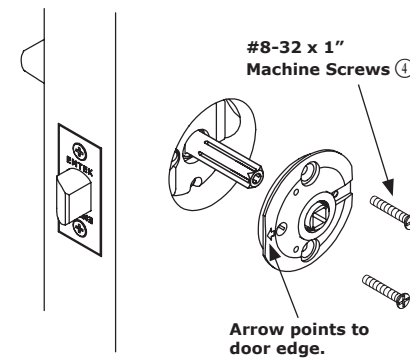
Step 1: Install Pre-Assembled Trim (1).



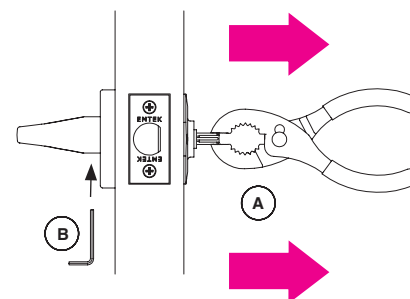
**Make sure the release hole is close to door edge (applicable only to privacy function).**

Step 2: Install Concealed Fastener Mechanism (3) with arrow pointing to door edge.

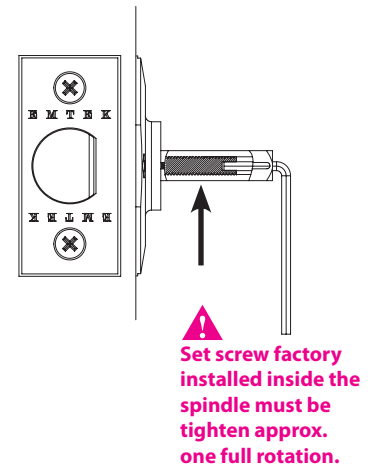
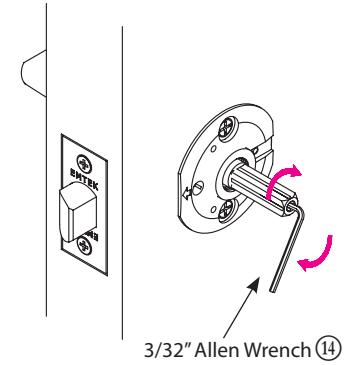
**Check trim alignment before fully tightening screws.**



Step 3: **A.** Fully extend spindle by pulling it outwards until it is against the internal stop. **B.** Tighten the pre-installed set screw in knob or lever with 3/32\" Allen Wrench (14).



Step 4: Insert short end of 3/32\" Allen Wrench (14) into spindle as indicated and **tighten approximately one full rotation.**



Step 5: Install Rosette (5).

