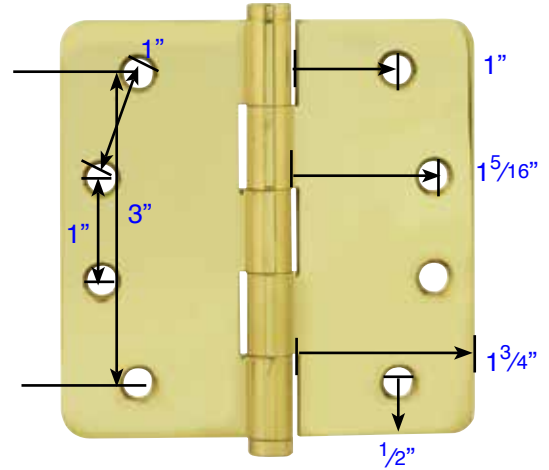


3 1/2" x 3 1/2"



4" x 4"

Brass Residential Duty  
Square Corner: 96113  
1/4" Radius: 96123  
5/8" : 96133

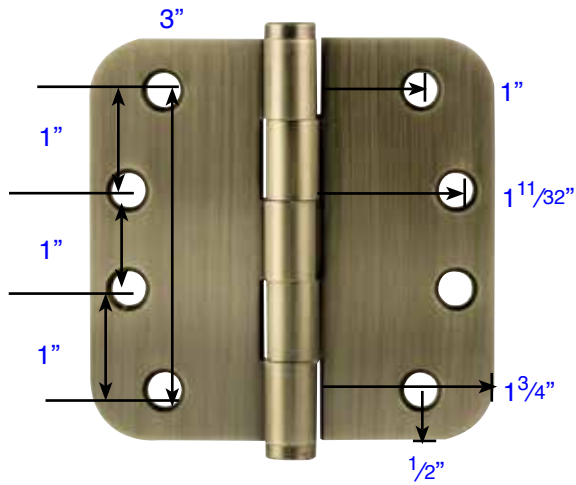
Brass Heavy Duty, Plain Bearing  
Square Corner: 96213  
1/4" Radius: 96223  
5/8" : 96233

Brass Heavy Duty, Ball Bearing  
Square Corner: 96413

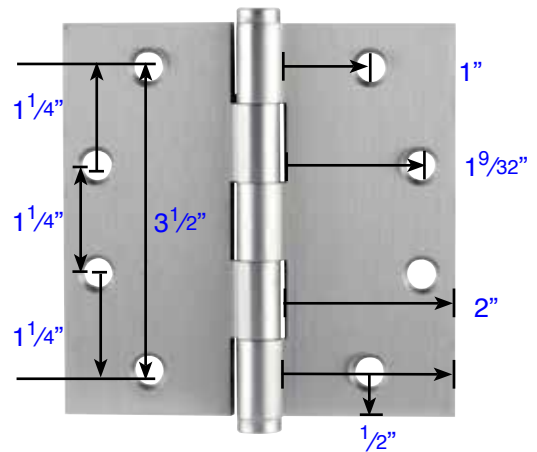
Steel Residential Duty  
Square Corner: 91013  
1/4" Radius: 91023  
5/8" : 91033

Steel Heavy Duty, Plain Bearing  
Square Corner: 92013  
1/4" Radius: 92023

Steel Residential Duty  
Square Corner: 91014  
1/4" Radius: 91024  
5/8" : 91034



4" x 4"



4 1/2" x 4 1/2"

Brass Residential Duty  
Square Corner: 96114  
1/4" Radius: 96124  
5/8" : 96134

Brass Heavy Duty, Plain Bearing  
Square Corner: 96214  
1/4" Radius: 96224  
5/8" : 96234

Brass Heavy Duty, Ball Bearing  
Square Corner: 96414

Steel Heavy Duty, Plain Bearing  
Square Corner: 92014  
1/4" Radius: 92024

Steel Heavy Duty, Ball Bearing  
Square Corner: 94014  
1/4" Radius: 94024

Brass Heavy Duty, Plain Bearing  
Square Corner: 96215  
1/4" Radius: 96225  
Brass Heavy Duty, Ball Bearing  
Square Corner: 96415  
1/4" Radius: 96425

Steel Heavy Duty, Plain Bearing  
Square Corner: 92015  
1/4" Radius: 92025

Steel Heavy Duty, Ball Bearing  
Square Corner: 94015  
1/4" Radius: 94025



**3 1/2" x 3 1/2" Heavy Duty  
Plain Bearing with  
5/8" Radius Corners**



**3 1/2" x 3 1/2" Heavy Duty  
Plain Bearing with  
1/4" Radius Corners**



**3 1/2" x 3 1/2" Residential Duty  
Plain Bearing with  
Square Corners**

## Residential Hinges

*Plain Bearing, 304 Grade, 0.093" - 0.096" Thick*

Description	Product Code
3 1/2" x 3 1/2" with Square Corners	9811332D
3 1/2" x 3 1/2" with 1/4" Radius Corners	9812332D
3 1/2" x 3 1/2" with 5/8" Radius Corners	9813332D
4" x 4" with Square Corners	9811432D
4" x 4" with 1/4" Radius Corners	9812432D
4" x 4" with 5/8" Radius Corners	9813432D

## Heavy Duty Hinges

*Plain Bearing, 304 Grade, 0.113" - 0.135" Thick*

Description	Product Code
3 1/2" x 3 1/2" with Square Corners	9821332D
3 1/2" x 3 1/2" with 1/4" Radius Corners	9822332D
3 1/2" x 3 1/2" with 5/8" Radius Corners	9823332D
4" x 4" with Square Corners	9821432D
4" x 4" with 1/4" Radius Corners	9822432D
4" x 4" with 5/8" Radius Corners	9823432D
4 1/2" x 4 1/2" with Square Corners	9821532D



**4" x 4" Heavy Duty  
Ball Bearing with  
5/8" Radius Corners**



**4" x 4" Heavy Duty  
Ball Bearing with  
1/4" Radius Corners**

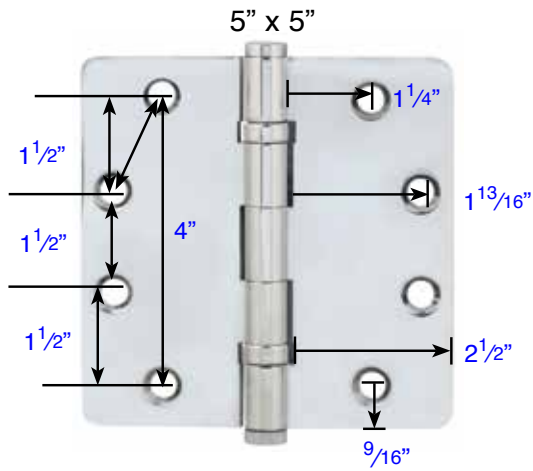


**4" x 4" Residential Duty  
Ball Bearing with  
Square Corners**

## Heavy Duty Hinges

*Ball Bearing, 304 Grade, 0.113" - 0.132" Thick*

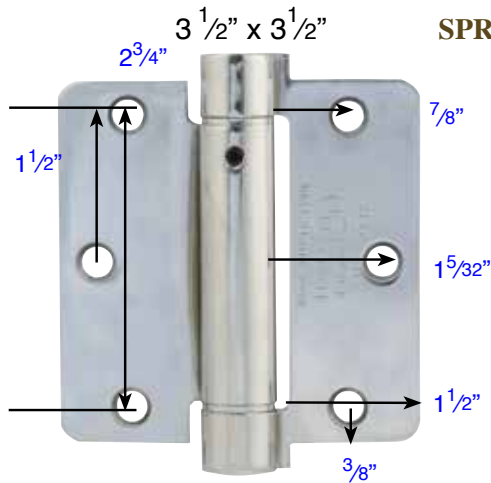
Description	Product Code
3 1/2" x 3 1/2" with Square Corners	9841332D
3 1/2" x 3 1/2" with 1/4" Radius Corners	9842332D
3 1/2" x 3 1/2" with 5/8" Radius Corners	9843332D
4" x 4" with Square Corners	9841432D
4" x 4" with 1/4" Radius Corners	9842432D
4" x 4" with 5/8" Radius Corners	9843432D
4 1/2" x 4 1/2" with Square Corners	9841532D



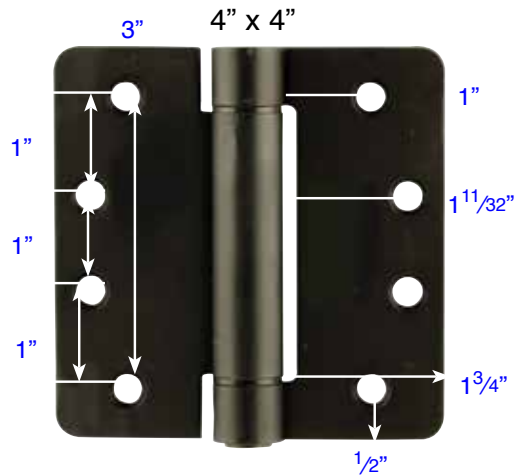
**BALL BEARING, EXTRUDED**

3 1/2" x 3 1/2", 4" x 4", 4 1/2" x 4 1/2", 5" x 5"

*Brass Heavy Duty, Ball Bearing  
Square Corner: 96416*



**SPRING HINGES**



**Brass Hinges**

Hinges #	Description	Screw Dimensions
96113	3 1/2" x 3 1/2"	#9 x 3/4"
96123	Residential Duty	
96133	Plain Bearing	
96114	4" x 4"	#9 x 3/4"
96124	Residential Duty	
96134	Plain Bearing	
96213	3 1/2" x 3 1/2"	#10 x 1"
96223	Heavy Duty	
96233	Plain Bearing	
96214	4" x 4"	#12 x 1 3/4"
96224	Heavy Duty	
96234	Plain Bearing	
96215	4 1/2" x 4 1/2"	#12 x 1 3/4"
96225	Heavy Duty Plain Bearing	
96413	3 1/2" x 3 1/2" Ball Bearing	#10 x 1"
96414	4" x 4" Ball Bearing	#12 x 1 3/4"
96415	4 1/2" x 4 1/2"	#12 x 1 3/4"
96425	Ball Duty	
96416	5" x 5" Ball Bearing	#12 x 1 3/4"

**Steel Plated Hinges**

Hinges #	Description	Screw Dimensions
91013	3 1/2" x 3 1/2"	#9 x 3/4"
91023	Residential Duty	
91033	Plain Bearing	
91014	4" x 4"	#9 x 3/4"
91024	Residential Duty	
91034	Plain Bearing	
92013	3 1/2" x 3 1/2"	#10 x 1"
92023	Heavy Duty Plain Bearing	
92014	4" x 4"	#12 x 1 1/4"
92024	Heavy Duty Plain Bearing	
92015	4 1/2" x 4 1/2"	#12 x 1 1/4"
92025	Heavy Duty Plain Bearing	
94033	3 1/2" x 3 1/2" Ball Bearing	#10 x 1"
94014	4" x 4" Ball Bearing	#12 x 1 1/4"
94024		
94015	4 1/2" x 4 1/2"	#12 x 1 1/4"
94025	Ball Duty	