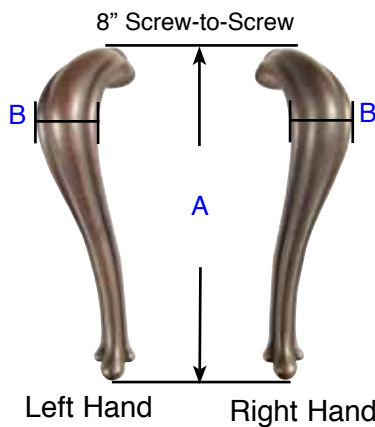
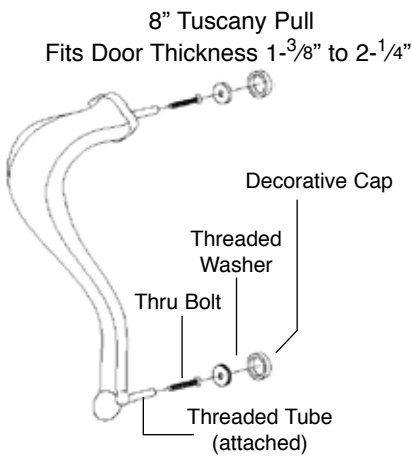


**Screw Specifications  
Tuscany Bronze 8" Pulls**

- Standard Components:
- 1", 10-32 Screws
  - 1", 14-20 Screws

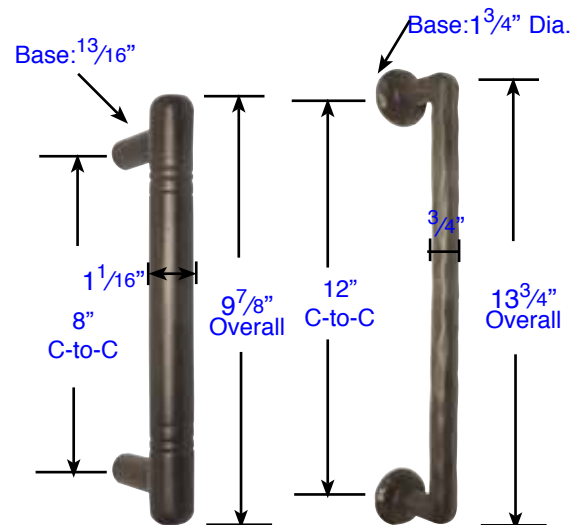
**Screw Specifications  
Tuscany Bronze 18" Pulls**

- Standard Components:
- #10, 1" Wood Screws



A = 9<sup>3/16</sup>" B = 1<sup>7/16</sup>"  
Projection: 2<sup>1/2</sup>"

- Screw Specifications  
Art Nouveau 8" Pull**
- 1 1/2", 8-32 Screws



Bronze 8" Nunez Pull  
Projection: 2<sup>3/4</sup>"  
Clearance: 1<sup>11/16</sup>"

Bronze 12" Rod Pull  
Projection: 2<sup>9/16</sup>"  
Clearance: 1<sup>3/4</sup>"

- Standard Components:
- 1", 10-32 Screws
  - 1", 14-20 Screws
  - Inserts for 14-20 screws
  - Inserts for 10-32 screws