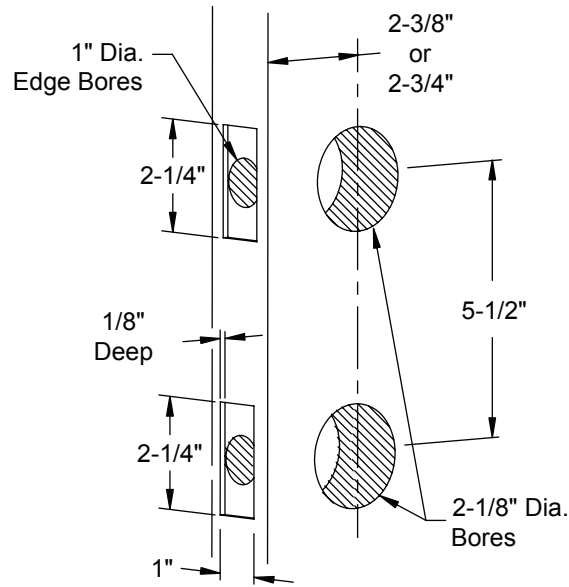
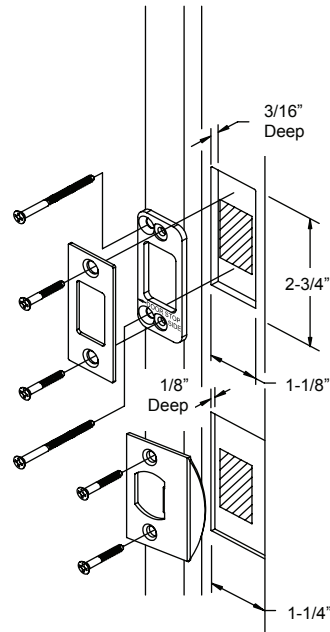


# Installation Guide - For 2 Point Entry Lock Set Models 5310 & 5320

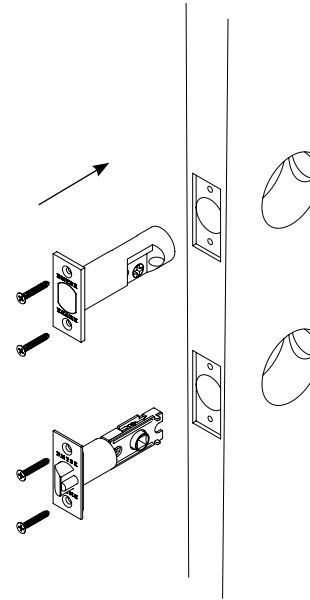
## 1. Door Prep - Active Lock



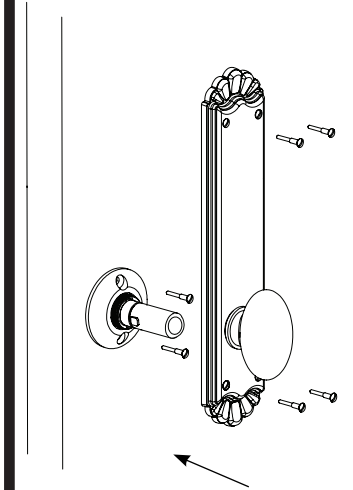
## 2. Door Jam Prep - Active Lock



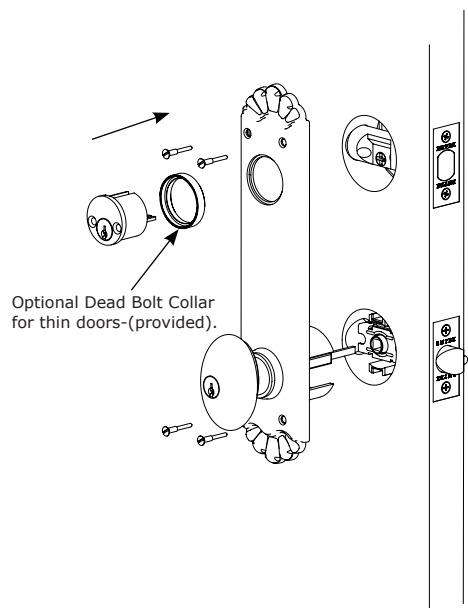
## 3. Install Latches



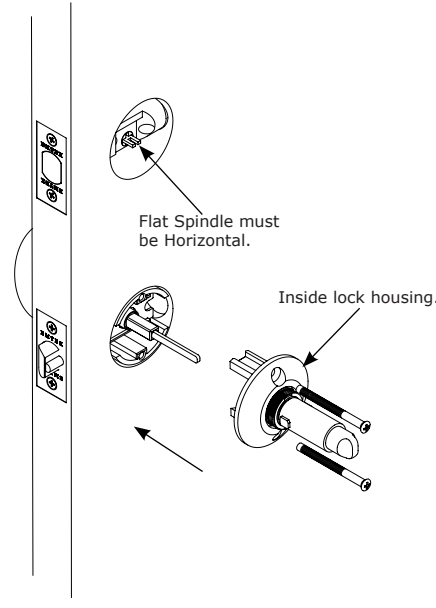
## Dummy Installation



## Outside Trim

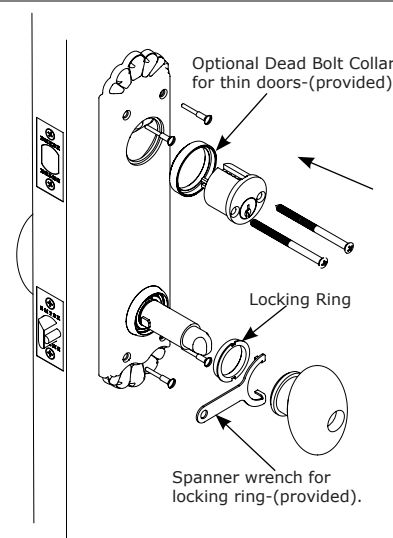


## Inside Trim



## Double Cylinder Installation

1. Fasten Side Plate to lock housing with Locking Ring.
2. Install inside dead bolt cylinder.
3. Install Side Plate screws.
4. Slide knob on to housing and tighten with Allen wrench-(provided).



## Single Cylinder Installation

1. Fasten dead bolt mounting plate to outside dead bolt cylinder. Make sure that dead bolt Flat Spindle is horizontal.
2. Secure inside Side Plate to lock housing with locking ring.
3. Install Side Plate screws.
4. Slide knob on to lock housing and tighten with Allen wrench.

