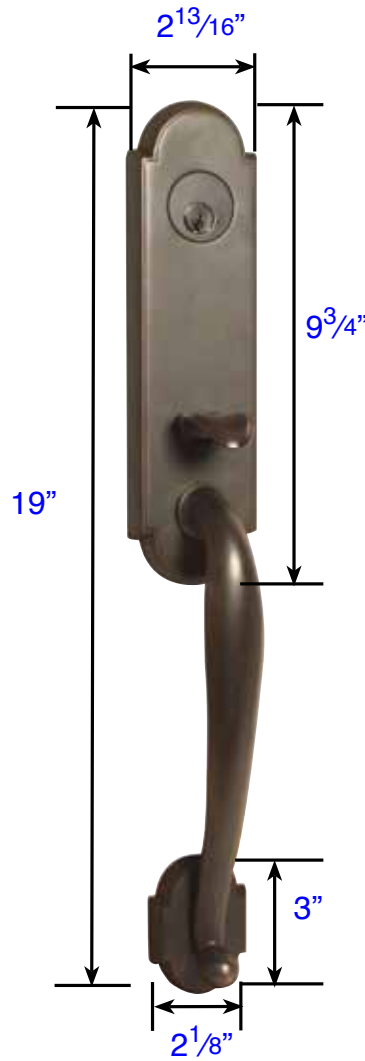
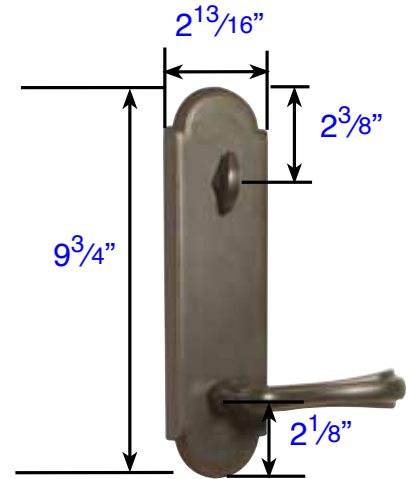


Nashville Style
Part # 4312/4322



Richmond Style
Part # 4313/4323



Standard interior trim
Part # 4313

Additional Dimensions: (Part # 4312/4322)

- Exterior Projection is $2\frac{11}{16}$ "
- Interior Projection Depends on Handle Style
- Overall Grip thickness: $1\frac{1}{4}$ "
- Clearance between door & grip is $1\frac{15}{16}$ "
- Standard Interior trim dimensions same as 8108, 8466, 8366
- Plates thickness: $\frac{1}{2}$ "

Same Dimensions for Dummy Function

Additional Dimensions: (Part # 4313/4323)

- Exterior Projection is $2\frac{11}{16}$ "
- Interior Projection Depends on Handle Style
- Overall Grip thickness: $1\frac{1}{4}$ "
- Clearance between door & grip is 2"
- Plates thickness: $\frac{1}{2}$ "

Same Dimensions for Dummy Function