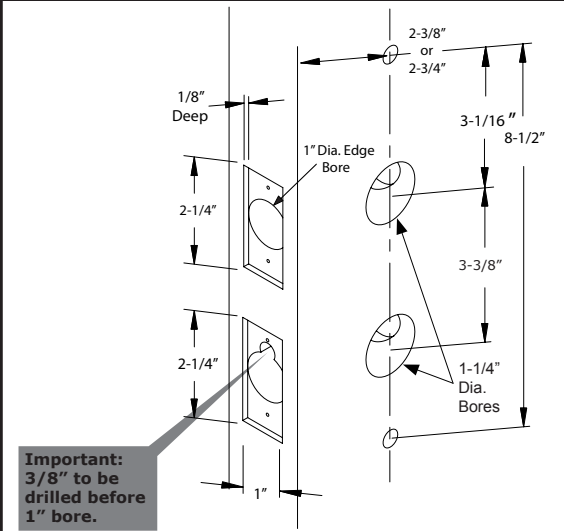
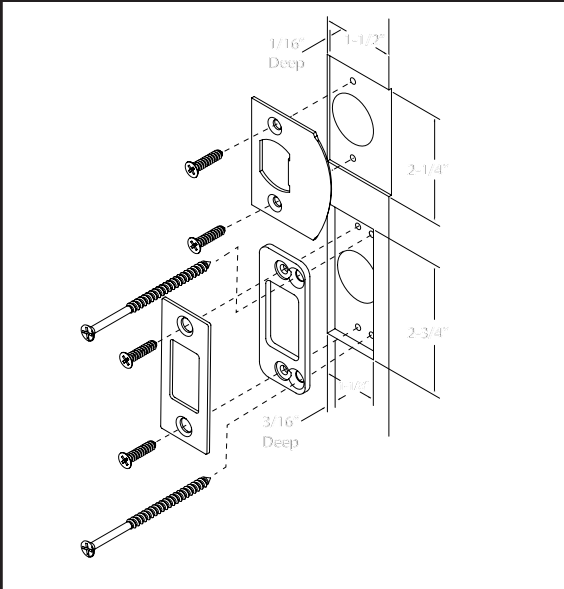


1. Door Prep

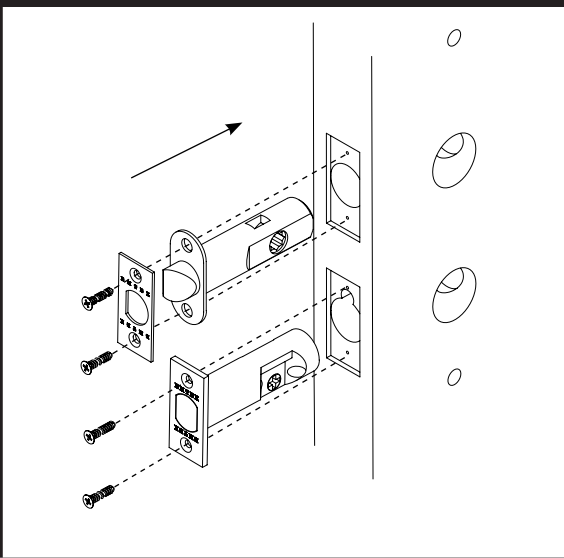


See template for door prep specifications.

2. Door Jamb Prep

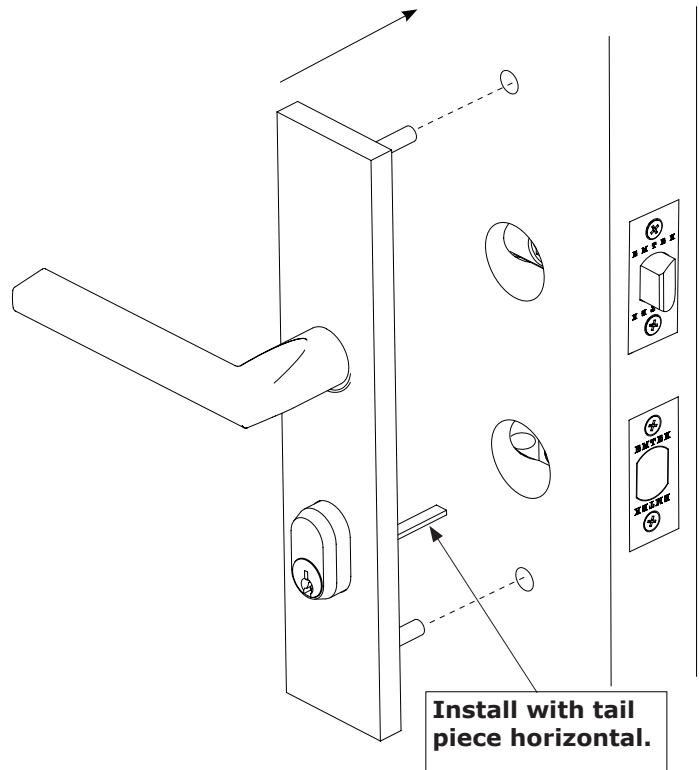


3. Install Latch & Deadbolt



4. Outside Installation

Step 1. Position the outside trim through the bore hole.



5. Inside Installation

Step 2. Fasten Inside Trim using two #8 machine screws (provided).

